

**PLEASE CHECK WWW.MOLEX.COM FOR LATEST PART INFORMATION**

**Part Number:** [0039036030](#)  
**Status:** **Active**  
**Overview:** standard\_093  
**Description:** 2.36mm (.093") Diameter Standard .093" Pin and Socket Plug Housing With Positive Latch, UL 94V-2, Panel Mount, 3 Circuits

**Documents:**

3D Model [Product Specification PS-3191-001 \(PDF\)](#)  
 Drawing (PDF) [RoHS Certificate of Compliance \(PDF\)](#)

**Agency Certification**

CSA LR19980  
 TUV R72081037  
 UL E29179

**General**

Product Family Crimp Housings  
 Series [3191](#)  
 Comments Polarized to Mating Part  
 Overview [standard\\_093](#)  
 Product Name Standard .093"

**Physical**

Breakaway No  
 Circuits (maximum) 3  
 Circuits Detail 1x3  
 Color - Resin Natural  
 Flammability 94V-2  
 Gender Dual  
 Glow-Wire Compliant No  
 Keying to Mating Part None  
 Lock to Mating Part Yes  
 Material - Resin Nylon  
 Number of Rows 1  
 Packaging Type Bag  
 Panel Mount Yes  
 Pitch - Mating Interface (in) 0.264 In  
 Pitch - Mating Interface (mm) 6.71 mm  
 Polarized to Mating Part Yes  
 Stackable No  
 Temperature Range - Operating -40°C to +105°C

**Electrical**

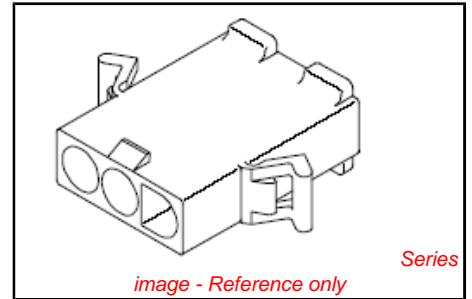
Current - Maximum per Contact 11A

**Material Info**

Old Part Number 3191-03P

**Reference - Drawing Numbers**

Packaging Specification SPK-3191-001  
 Product Specification PS-3191-001  
 Sales Drawing SD-3191-03P-\*



**EU RoHS**  
**ELV and RoHS**  
**Compliant**  
**REACH SVHC**  
**Contains SVHC: No**  
**Halogen-Free**  
**Status**  
**Not Reviewed**



**Need more information on product environmental compliance?**

Email [productcompliance@molex.com](mailto:productcompliance@molex.com)  
 For a multiple part number RoHS Certificate of Compliance, [click here](#)

Please visit the [Contact Us](#) section for any non-product compliance questions.

**Search Parts in this Series**  
[3191Series](#)

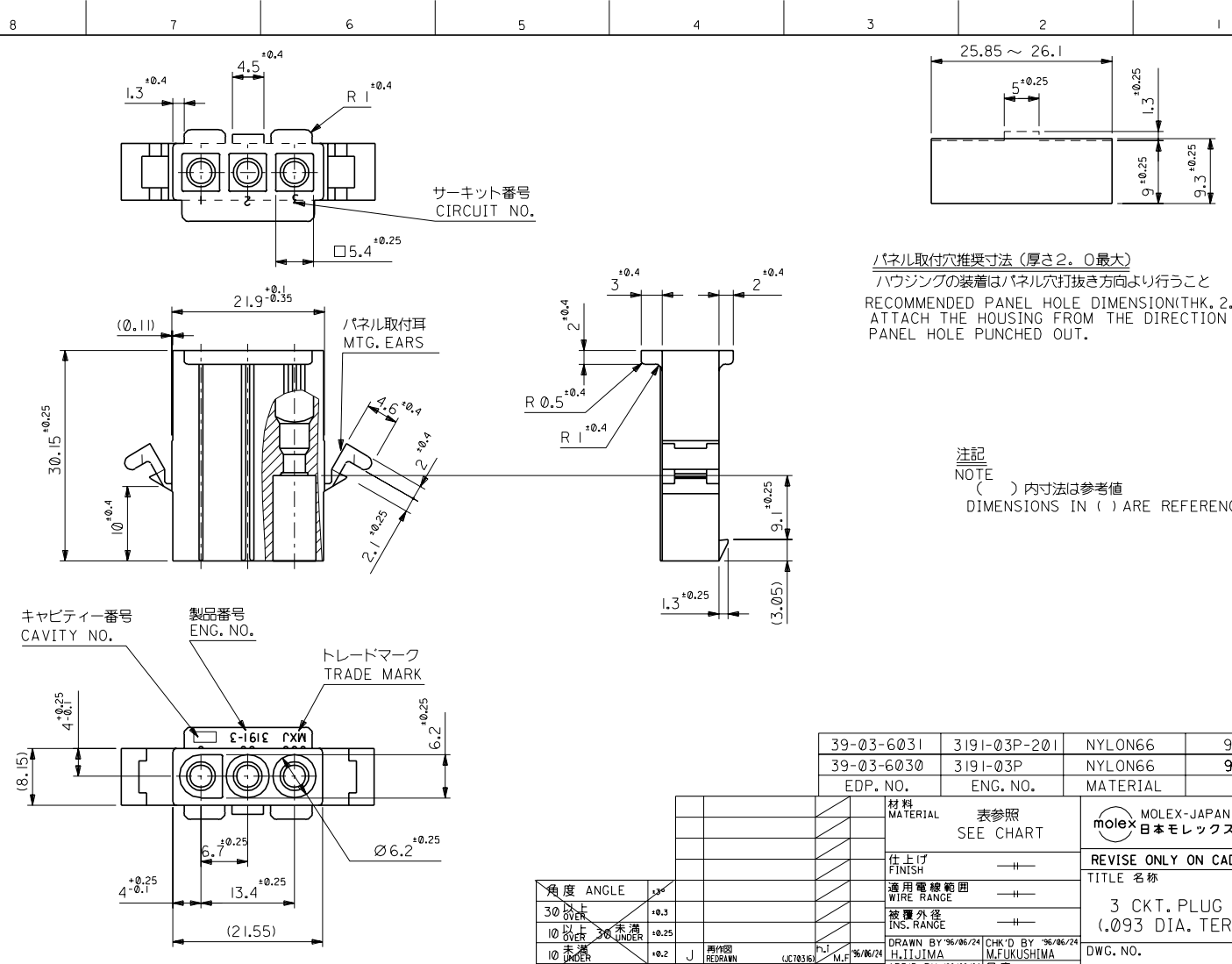
**Mates With**  
[3191](#) Pin and Socket Rectacle, [5219](#) Vertical PCB Header

**Use With**  
 1189 Crimp Terminals, 1190 Crimp Terminals, 1380 Male Crimp Terminals, 1381 Female Crimp Terminals, 1433 Crimp Terminals, 1434 Male Crimp Terminals, 2605 , 2606 , 1973 , 2151 , 2273 , 2870 , 2871 , 4272 , Lin

**PLEASE CHECK WWW.MOLEX.COM FOR LATEST PART INFORMATION**

DWG. NO. SD-3191-03P

MM DIMENSIONS IN METRIC DO NOT SCALE DRAWING



パネル取付穴推奨寸法 (厚さ2.0最大)  
ハウジングの装着はパネル穴打抜き方向より行うこと  
RECOMMENDED PANEL HOLE DIMENSION (THK. 2.0 MAX.)  
ATTACH THE HOUSING FROM THE DIRECTION OF  
PANEL HOLE PUNCHED OUT.

注記  
NOTE  
( ) 内寸法は参考値  
DIMENSIONS IN ( ) ARE REFERENCE

|            |              |          |       |
|------------|--------------|----------|-------|
| 39-03-6031 | 3191-03P-201 | NYLON66  | 94V-0 |
| 39-03-6030 | 3191-03P     | NYLON66  | 94V-2 |
| EDP. NO.   | ENG. NO.     | MATERIAL | UL    |

|   |                         |   |
|---|-------------------------|---|
| 材料<br>MATERIAL  | 表参照<br>SEE CHART        | MOLEX-JAPAN CO.,LTD.<br>日本モレックス株式会社       |
| 仕上げ<br>FINISH   | —                       |   |
| 適用電線範囲<br>WIRE RANGE  | —                       | REVISE ONLY ON CAD SYSTEM                 |
| 被覆外径<br>INS. RANGE  | —                       | TITLE 名称                                  |
| DRAWN BY 96/06/24 H.IIJIMA<br>CHK'D BY 96/06/24 M.FUKUSHIMA |                         | 3 CKT. PLUG HS'G.<br>(.093 DIA. TERMINAL) |
| 記号<br>LTR   | 変更内容<br>REVISION RECORD | DWG. NO.<br>SD-3191-03P-*                 |
| DR. DATE  | CHK. DATE               | REV<br>J                                  |

|                            |       |
|----------------------------|-------|
| 角度 ANGLE                   | >30   |
| 30以上<br>OVER               | +0.3  |
| 10以上<br>30未満<br>OVER UNDER | +0.25 |
| 10未満<br>UNDER              | +0.2  |
| 一般公差<br>GENERAL TOLERANCES |       |

THIS DRAWING CONTAINS INFORMATION THAT IS PROPRIETARY TO MOLEX/JAPAN AND SHOULD NOT BE USED WITHOUT WRITTEN PERMISSION  
本図面は日本モレックス(株)の所有する情報を含むもので 当社の許可なく複製を禁止する。  
EN-01C(032)MXJ-32