

PLEASE CHECK WWW.MOLEX.COM FOR LATEST PART INFORMATION

Part Number: [0039014037](#)
Status: **Active**
Overview: [minifit_jr](#)
Description: 4.20mm (.165") Pitch Mini-Fit Jr.™ Plug Housing, Single Row, without Panel Mount Ears, PA Polyamide Nylon 6/6, UL 94V-0, 3 Circuits

Documents:

[3D Model](#) [Product Specification PS-5556-001 \(PDF\)](#)
[Drawing \(PDF\)](#) [RoHS Certificate of Compliance \(PDF\)](#)

Agency Certification

CSA LR19980
TUV R72081037
UL E29179

General

Product Family Crimp Housings
Series [5559](#)
Comments Current = 13A max. per circuit when header is mated to a receptacle loaded with [45750](#) series terminals crimped to 16 AWG wire. . See Molex product specification PS-45750-001 for additional current derating information.. Glow Wire Equivalent Part Number [50291663](#)
Overview [minifit_jr](#)
Product Name Mini-Fit Jr.™

Physical

Breakaway No
Circuits (maximum) 3
Color - Resin Natural
Flammability 94V-0
Gender Male
Glow-Wire Compliant No
Keying to Mating Part None
Lock to Mating Part Yes
Material - Resin Nylon
Number of Rows 1
Packaging Type Bag
Panel Mount No
Pitch - Mating Interface (in) 0.165 In
Pitch - Mating Interface (mm) 4.20 mm
Pitch - Term. Interface (in) 0.165 In
Pitch - Term. Interface (mm) 4.20 mm
Polarized to Mating Part Yes
Stackable No
Temperature Range - Operating -40°C to +105°C

Electrical

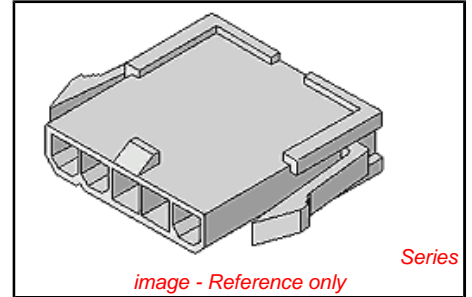
Current - Maximum per Contact 13A

Material Info

Old Part Number 5559-03P3-210

Reference - Drawing Numbers

[Packaging Specification](#) PK-5559-003
[Product Specification](#) PS-5556-001



EU RoHS

ELV and RoHS Compliant
REACH SVHC
Not Reviewed
Halogen-Free Status
Halogen-Free

China RoHS



Need more information on product environmental compliance?

Email productcompliance@molex.com
For a multiple part number RoHS Certificate of Compliance, [click here](#)

Please visit the [Contact Us](#) section for any non-product compliance questions.

Search Parts in this Series
[5559Series](#)

Mates With
[39-01-4031](#) Receptacle Housing

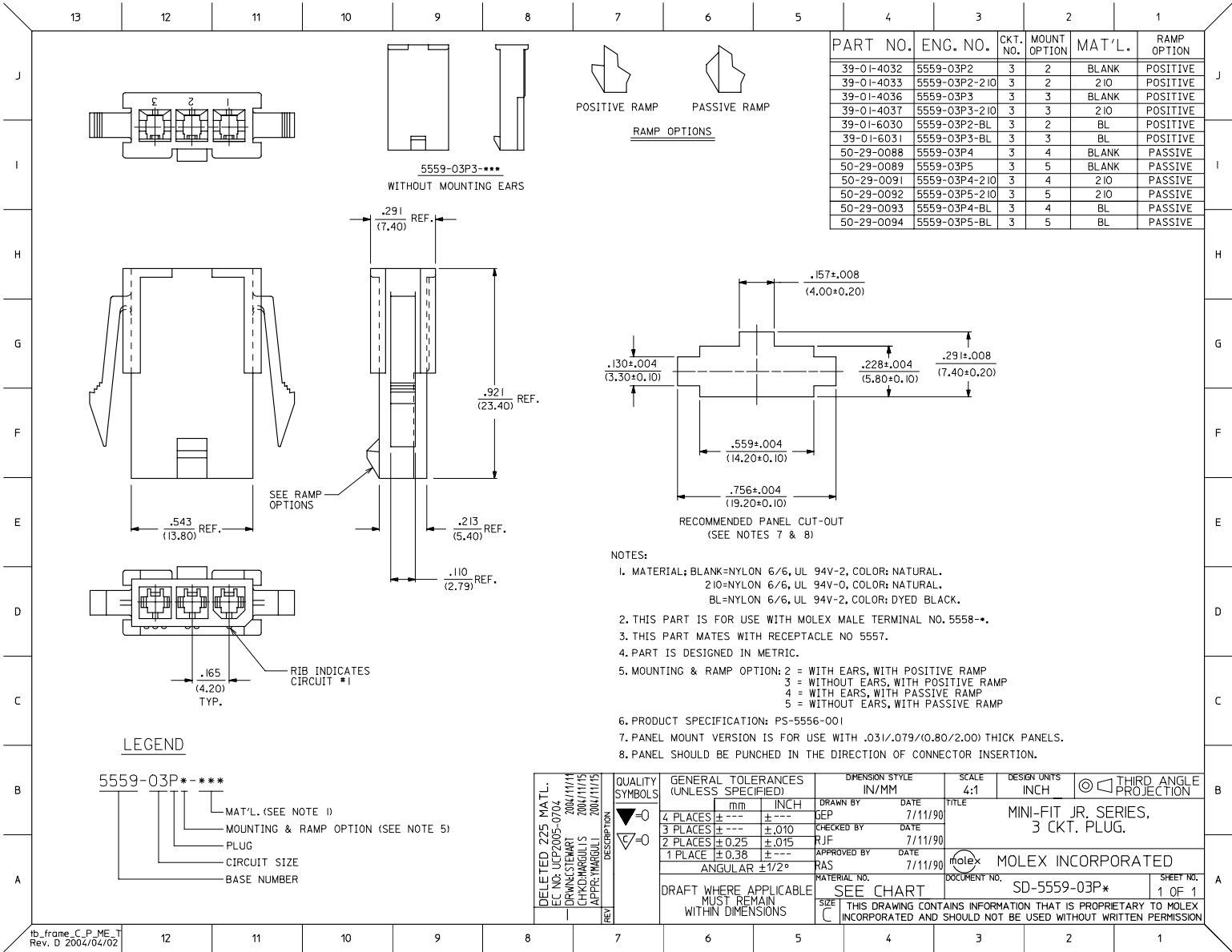
Use With
[5558](#) Mini-Fit Jr.™ Male Crimp Terminals.
[44478](#) Mini-Fit HCST™ Male Crimp Terminals. [30490](#) Mini-Fit® Male Grounding Crimp Terminals

Sales Drawing
Test Summary

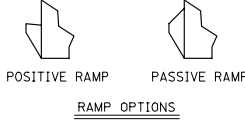
SD-5559-03P*
TS-5556-002

This document was generated on 05/19/2010

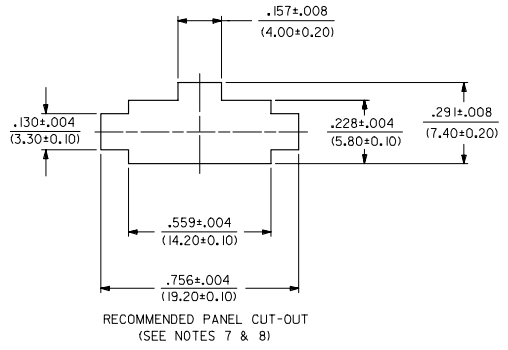
PLEASE CHECK WWW.MOLEX.COM FOR LATEST PART INFORMATION



PART NO.	ENG. NO.	CKT. NO.	MOUNT OPTION	MAT'L.	RAMP OPTION
39-01-4032	5559-03P2	3	2	BLANK	POSITIVE
39-01-4033	5559-03P2-210	3	2	210	POSITIVE
39-01-4036	5559-03P3	3	3	BLANK	POSITIVE
39-01-4037	5559-03P3-210	3	3	210	POSITIVE
39-01-6030	5559-03P2-BL	3	2	BL	POSITIVE
39-01-6031	5559-03P3-BL	3	3	BL	POSITIVE
50-29-0088	5559-03P4	3	4	BLANK	PASSIVE
50-29-0089	5559-03P5	3	5	BLANK	PASSIVE
50-29-0091	5559-03P4-210	3	4	210	PASSIVE
50-29-0092	5559-03P5-210	3	5	210	PASSIVE
50-29-0093	5559-03P4-BL	3	4	BL	PASSIVE
50-29-0094	5559-03P5-BL	3	5	BL	PASSIVE

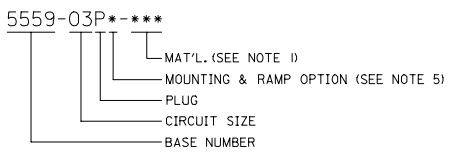


5559-03P3-***
WITHOUT MOUNTING EARS



- NOTES:
- MATERIAL: BLANK-NYLON 6/6, UL 94V-2, COLOR: NATURAL.
210-NYLON 6/6, UL 94V-0, COLOR: NATURAL.
BL-NYLON 6/6, UL 94V-2, COLOR: DYED BLACK.
 - THIS PART IS FOR USE WITH MOLEX MALE TERMINAL NO. 5558-**.
 - THIS PART MATES WITH RECEPTACLE NO 5557.
 - PART IS DESIGNED IN METRIC.
 - MOUNTING & RAMP OPTION: 2 = WITH EARS, WITH POSITIVE RAMP
3 = WITHOUT EARS, WITH POSITIVE RAMP
4 = WITH EARS, WITH PASSIVE RAMP
5 = WITHOUT EARS, WITH PASSIVE RAMP
 - PRODUCT SPECIFICATION: PS-5556-001
 - PANEL MOUNT VERSION IS FOR USE WITH .031/.079/(0.80/2.00) THICK PANELS.
 - PANEL SHOULD BE PUNCHED IN THE DIRECTION OF CONNECTOR INSERTION.

LEGEND



DELETED 225 MATL. EC NO: UCP2005-0704 DRAWN BY: 2004/11/11 CHKD: MARCOULLI 2004/11/15 APPR: MARCOULLI 2004/11/15	QUALITY SYMBOLS	GENERAL TOLERANCES (UNLESS SPECIFIED)	DIMENSION STYLE IN/MM	SCALE 4:1	DESIGN UNITS INCH	THIRD ANGLE PROJECTION
	▽=0	4 PLACES ± --- ± ---	DRAWN BY: JEP DATE: 7/11/90	TITLE: MINI-FIT JR. SERIES, 3 CKT. PLUG.		
	▽=0	3 PLACES ± --- ± .010	CHECKED BY: R/JF DATE: 7/11/90			
	▽=0	2 PLACES ± 0.25 ± .015	APPROVED BY: RAS DATE: 7/11/90	MATERIAL NO. SEE CHART	DOCUMENT NO. SD-5559-03P*	SHEET NO. 1 OF 1
REV	DESCRIPTION	1 PLACE ± 0.38 ± ---	ANGULAR ±1/2°	MOLEX INCORPORATED THIS DRAWING CONTAINS INFORMATION THAT IS PROPRIETARY TO MOLEX INCORPORATED AND SHOULD NOT BE USED WITHOUT WRITTEN PERMISSION		