

**PLEASE CHECK WWW.MOLEX.COM FOR LATEST PART INFORMATION**

**Part Number:** [0350230002](#)  
**Status:** **Active**  
**Description:** 2.00mm (.079") Pitch Board-In Crimp Housing, 2 Circuits

**Documents:**

<a href="#">3D Model</a>	<a href="#">Product Specification PS-35044-001 (PDF)</a>
<a href="#">Drawing (PDF)</a>	<a href="#">RoHS Certificate of Compliance (PDF)</a>
<a href="#">Product Specification PS-35023-001 (PDF)</a>	

**Agency Certification**

CSA	LR19980
UL	E29179

**General**

Product Family	Crimp Housings
Series	<a href="#">35023</a>
Product Name	Board-In

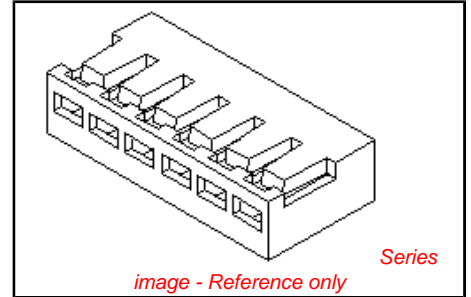
**Physical**

Circuits (maximum)	2
Color - Resin	Natural
Flammability	94V-0
Gender	Female
Glow-Wire Compliant	No
Material - Resin	Nylon
Number of Rows	1
Packaging Type	Bag
Panel Mount	No
Pitch - Mating Interface (in)	0.079 In
Pitch - Mating Interface (mm)	2.00 mm
Stackable	No
Temperature Range - Operating	-40°C to +105°C

**Material Info**

**Reference - Drawing Numbers**

Product Specification	PS-35023-001, PS-35044-001
Sales Drawing	SD-35023-*0**, SD-35023-001



**EU RoHS**

**ELV and RoHS Compliant**  
**REACH SVHC**  
 Not Reviewed  
**Halogen-Free Status**  
 Not Reviewed

**China RoHS**



**Need more information on product environmental compliance?**

Email [productcompliance@molex.com](mailto:productcompliance@molex.com)  
 For a multiple part number RoHS Certificate of Compliance, [click here](#)

Please visit the [Contact Us](#) section for any non-product compliance questions.

**Search Parts in this Series**

[35023Series](#)

**Use With**

[35044](#) , [35021](#)

**PLEASE CHECK WWW.MOLEX.COM FOR LATEST PART INFORMATION**

DO NOT SCALE DRAWING  
DIMENSION IN METRIC

DWG. NO.  
SD 35023-00

SIMILAR ITEM  
35023-00

PROJECT NO.

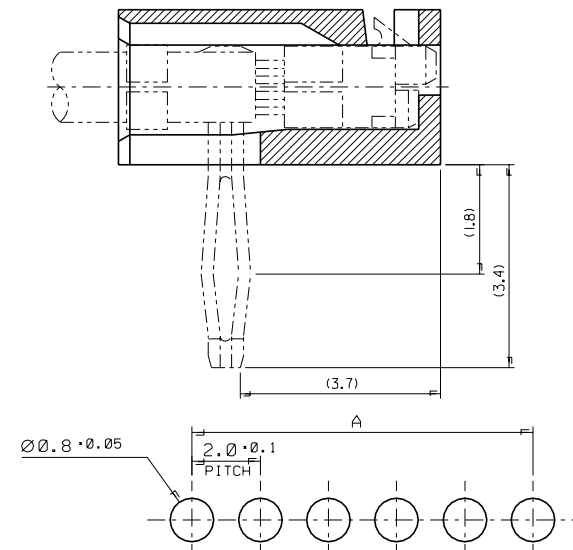
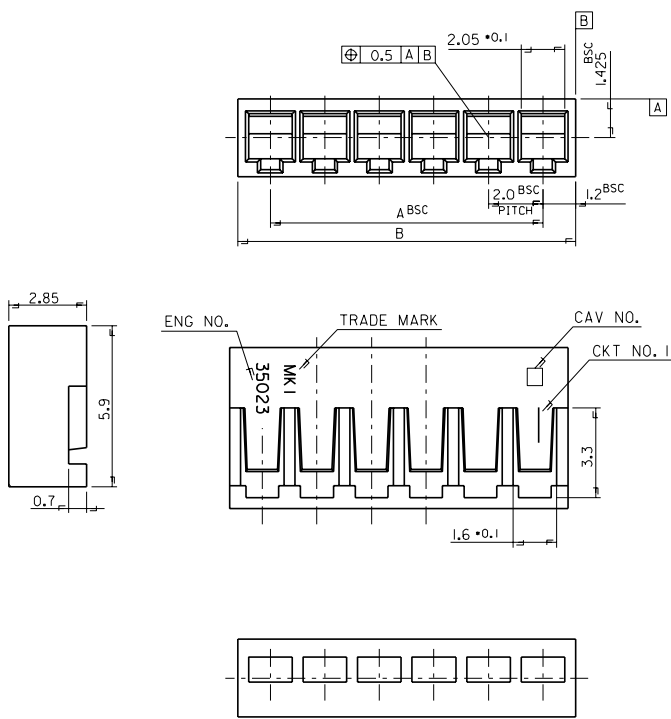
C

B

REV

8 7 6 5 4 3 2 1

F  
E  
D  
C  
B  
A



P.C. BOARD LAY OUT  
(THK. = 1.6T)

32.4	30.0	35023-016	16	18.4	16.0		-009	9
30.4	28.0	-015	15	16.4	14.0		-008	8
28.4	26.0	-014	14	14.4	12.0		-007	7
26.4	24.0	-013	13	12.4	10.0		-006	6
24.4	22.0	-012	12	10.4	8.0		-005	5
22.4	20.0	-011	11	8.4	6.0		-004	4
20.4	18.0	-010	10	6.4	4.0		-003	3
				4.4	2.0	35023-002		2
B	A	ENG NO.	CKT NO.	B	A	ENG NO.	CKT NO.	

- NOTE
- MATERIAL : NYLON 66 UL94V-0
  - APPLIED TERMINAL : 35021-1201/1301
  - PRODUCT SPECIFICATION : PS-35023

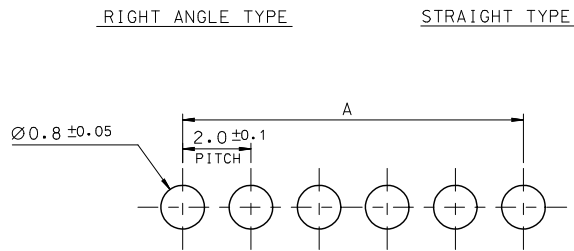
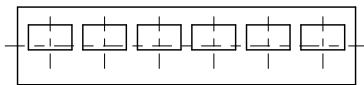
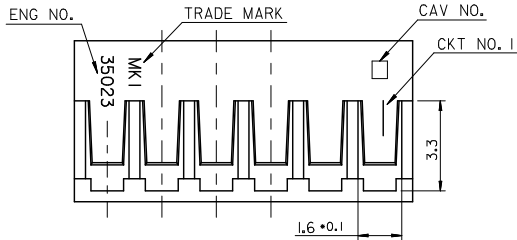
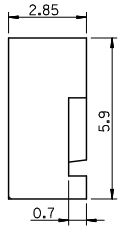
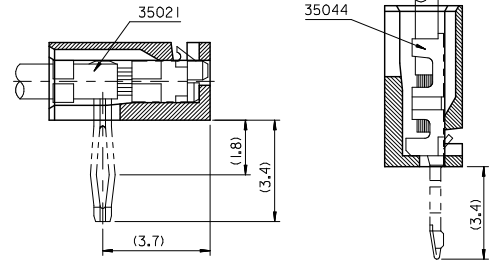
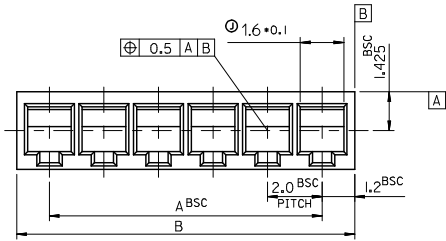
LEGEND

35023 - 00 \*\* CKT.(02,03,04....)  
COLOR : 0 --- NATURAL  
1 ---- BLACK

REVISED EC NO. KOR1999-007 DRWN: K.S.KIM(990111) CHK: J.K.OH APPR: C.W.LEE	QUALITY SYMBOLS MAJOR = CRITICAL =	GENERAL TOLERANCES: (UNLESS SPECIFIED)		SCALE 7:1	DESIGN UNITS <input checked="" type="checkbox"/> mm <input type="checkbox"/> INCH	THIRD ANGLE PROJECTION 	DIMENSIONS: <input type="checkbox"/> mm <input type="checkbox"/> INCH <input checked="" type="checkbox"/> mm ONLY	SHT REVISE ON CAD ONLY
		4 PLACES ±0. ±. 3 PLACES ±0. ±. 2 PLACES ±0. ±. 1 PLACE ±0.3 ±.	DRAWN BY & DATE H.S.SHIN(931026) CHECKED BY & DATE J.K.OH APPROVED BY & DATE C.W.LEE	TITLE: 2.0mm PITCH B-IN CONN. HOUSING(S/T)		CAD FILENAME SD35023.DGN	MATERIAL NO. 35023-00**	DRAWING NO. SD 35023-00**
DRAFT WHERE APPLICABLE MUST REMAIN WITHIN DIMENSIONS	THIS DRAWING CONTAINS INFORMATION THAT IS PROPRIETARY TO MOLEX INCORPORATED AND SHOULD NOT BE USED WITHOUT WRITTEN PERMISSION.							SIZE B

8 7 6 5 4 3 2 1 MX-A3

10 9 8 7 6 5 4 3 2 1



P.C. BOARD LAY OUT  
(THK.: 1.6+)

NOTE

1. MATERIAL : NYLON 66 UL94V-0
2. APPLIED TERMINAL : 35021-I201/I301,35044
3. PRODUCT SPECIFICATION : PS-35023

LEGEND (ZYTEL FE13001)

35023 - \* 0 \*\* CKT.(02,03,04....)

COLOR : 0 --- NATURAL  
I --- BLACK

① LEGEND (TECHNYL A50H1,HF Version)

35023 - \*\* 6 \* COLOR : 0 --- NATURAL  
I --- BLACK  
CKT.(02,03,04....)

					18.4	16.0		- ****	9
32.4	30.0	35023-	****	16	16.4	14.0		- ****	8
30.4	28.0		- ****	15	14.4	12.0		- ****	7
28.4	26.0		- ****	14	12.4	10.0		- ****	6
26.4	24.0		- ****	13	10.4	8.0		- ****	5
24.4	22.0		- ****	12	8.4	6.0		- ****	4
22.4	20.0		- ****	11	6.4	4.0		- ****	3
20.4	18.0		- ****	10	4.4	2.0	35023-	****	2
B	A	ENG. NO.	CKT. NO.	B	A	ENG. NO.	CKT. NO.		

REVISED	DESCRIPTION	QUALITY SYMBOLS
EC NO: KOR2010-0015	DRWN:HPARK01 2009/07/28	▽=0
DRWN:HPARK01	CHKD:HY. YANG 2009/07/30	▽=0
CHKD:HY. YANG	APPR:YUNSI.KKIM 2009/07/30	
APPR:YUNSI.KKIM		

GENERAL TOLERANCES (UNLESS SPECIFIED)	
mm	INCH
4 PLACES ± ---	± ---
3 PLACES ± ---	± ---
2 PLACES ± 0.2	± ---
1 PLACE ± 0.3	± ---
ANGULAR ± 1 °	
DRAFT WHERE APPLICABLE MUST REMAIN WITHIN DIMENSIONS	

DIMENSION STYLE	
MM ONLY	
DRAWN BY	DATE
HS. SHIN	1993/10/26
CHECKED BY	DATE
JK. OH	1993/10/26
APPROVED BY	DATE
CW. LEE	1993/10/26
MATERIAL NO.	
SEE TABLE	
SIZE	
A 3	

SCALE	DESIGN UNITS	THIRD ANGLE PROJECTION
1:1	METRIC	
TITLE		
2.0 PITCH B-IN CONN. HOUSING(S/T)		
MOLEX INCORPORATED		
DOCUMENT NO.	SHEET NO.	
SD-35023-001	1 OF 01	