

PLEASE CHECK WWW.MOLEX.COM FOR LATEST PART INFORMATION

Part Number: [0022011052](#)
Status: **Active**
Overview: [kk](#)
Description: 2.50mm (.098") Pitch KK@ Wire-to-Board Housing, Female, Friction Lock, for 2759/5159 Crimp Terminals, 5 Circuits

Documents:

- | | |
|---|---|
| 3D Model | Product Specification PS-5051-001 (PDF) |
| Drawing (PDF) | Product Specification PS-5051-002 (PDF) |
| Product Specification PS-5045-001 (PDF) | Product Specification PS-5051-003 (PDF) |
| Product Specification PS-5045-002 (PDF) | Product Specification PS-5051-004 (PDF) |
| Product Specification PS-5045-003 (PDF) | Product Specification PS-5102-004 (PDF) |
| Product Specification PS-5045-004 (PDF) | RoHS Certificate of Compliance (PDF) |
| Product Specification PS-5046-004 (PDF) | |

Agency Certification

CSA	LR19980
TUV	R72090224
UL	E29179

General

Product Family	Crimp Housings
Series	5051
Overview	kk
Product Name	KK@

Physical

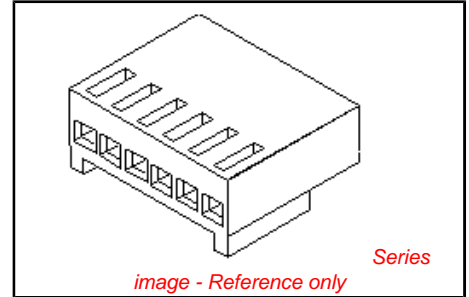
Circuits (maximum)	5
Color - Resin	Natural
Flammability	94V-0
Gender	Female
Glow-Wire Compliant	No
Material - Resin	Nylon
Number of Rows	1
Packaging Type	Bag
Panel Mount	No
Pitch - Mating Interface (in)	0.098 In
Pitch - Mating Interface (mm)	2.50 mm
Stackable	No
Temperature Range - Operating	-40°C to +105°C

Material Info

Old Part Number	5051-05
-----------------	---------

Reference - Drawing Numbers

Packaging Specification	SPK-5051-001
Product Specification	PS-5045-001, PS-5045-002, PS-5045-003, PS-5045-004, PS-5046-004, PS-5051-001, PS-5051-002, PS-5051-003, PS-5051-004, PS-5102-004
Sales Drawing	SD-5051-001

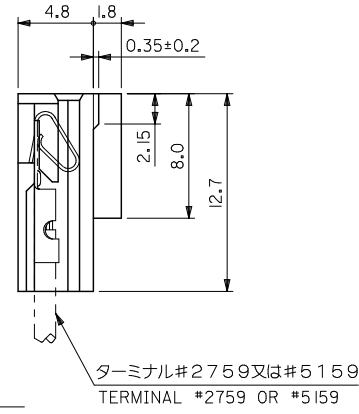
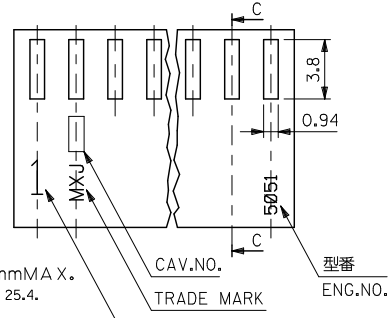
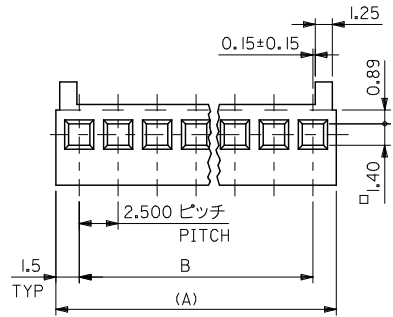


<p>EU RoHS ELV and RoHS Compliant REACH SVHC Contains SVHC: No Halogen-Free Status Not Halogen-Free</p>	<p>China RoHS</p>
<p>Need more information on product environmental compliance?</p> <p>Email productcompliance@molex.com For a multiple part number RoHS Certificate of Compliance, click here</p> <p>Please visit the Contact Us section for any non-product compliance questions.</p>	

<p>Search Parts in this Series 5051Series</p>
<p>Mates With 5045 Vertical Header, 5046 Right Angle Header</p>
<p>Use With 2759 , 5159</p>

PLEASE CHECK WWW.MOLEX.COM FOR LATEST PART INFORMATION

10 9 8 7 6 5 4 3 2 1



- 注) NOTE.
- そりは長さ25.4mmに対して0.2mmMAX. CAMBER MUST BE WITHIN 0.2 MAX. PER 25.4.
 - () 寸法は参考値 DIMENSION SHOWN IN () ARE REFERENCE.
 - サーキットNO. 1のみ表示 但し2極の場合は MX-Jマーク側が1となる WHEN 2 CIRCUITS HOUSING TRADE MARK SIDE IN NO.1 CIRCUIT.

CAV.NO. 型番 ENG.NO.
 TRADE MARK
 サーキットNO. (注3参照) CIRCUIT NO. (1 ONLY) SEE NOTE 3.

MT'L. NYLON 66(94V-0)

5051-16	22-01-1162	16	37.50±0.25	40.50
▲ -15	▲ -1152	15	35.00±0.20	38.00
-14	-1142	14	32.50±0.20	35.50
-13	-1132	13	30.00±0.20	33.00
-12	-1122	12	27.50±0.20	30.50
-11	-1112	11	25.00±0.15	28.00
-10	-1102	10	22.50±0.15	25.50
-09	-1092	9	20.00±0.15	23.00
-08	-1082	8	17.50±0.15	20.50
-07	-1072	7	15.00±0.15	18.00
-06	-1062	6	12.50±0.10	15.50
-05	-1052	5	10.00±0.10	13.00
-04	-1042	4	7.50±0.10	10.50
▼ -03	▼ -1032	3	5.00±0.10	8.00
5051-02	22-01-1022	2	2.50±0.08	5.50
MATERIAL NO.	PART NO.	極数 N	B	(A)
			MODEL NO. 5051-N	

REVISED EC NO: J2010-1867 DRAWN: TSURUOKA 2010/03/19 CHKD: THARYAMA 2010/03/23 APPR: HIRATA 2010/03/23	GENERAL TOLERANCES (UNLESS SPECIFIED)		DIMENSION STYLE MM ONLY		SCALE 4:1	DESIGN UNITS METRIC	THIRD ANGLE PROJECTION
	10 UNDER	±0.25	DRAWN BY K. KOHAMA	DATE '00/3/28	TITLE 2.50/(.098) CENTERS KK POLZG HSG		
	10 OVER 30 UNDER	±0.3	CHECKED BY T. YAMAGUCHI	DATE '00/3/30			
	30 OVER	±0.35	APPROVED BY M. FUKUSHIMA	DATE '00/3/30	MOLEX INCORPORATED DOCUMENT NO. SD-5051-001 SHEET NO. 1 OF 1		
ANGULAR ±3°		MATERIAL NO. SEE TABLE					
DRAFT WHERE APPLICABLE MUST REMAIN WITHIN DIMENSIONS		SIZE THIS DRAWING CONTAINS INFORMATION THAT IS PROPRIETARY TO MOLEX INCORPORATED AND SHOULD NOT BE USED WITHOUT WRITTEN PERMISSION					