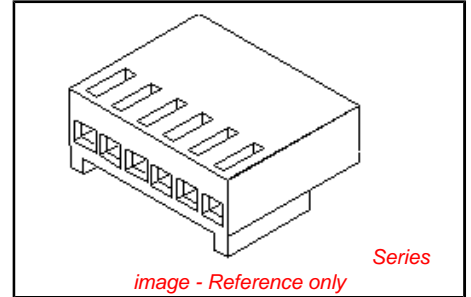


PLEASE CHECK WWW.MOLEX.COM FOR LATEST PART INFORMATION

Part Number: [0022011032](#)
Status: **Active**
Overview: [kk](#)
Description: 2.50mm (.098") Pitch KK@ Wire-to-Board Housing, Female, Friction Lock, for 2759/5159 Crimp Terminals, 3 Circuits

Documents:

- | | |
|---|---|
| 3D Model | Product Specification PS-5051-001 (PDF) |
| Drawing (PDF) | Product Specification PS-5051-002 (PDF) |
| Product Specification PS-5045-001 (PDF) | Product Specification PS-5051-003 (PDF) |
| Product Specification PS-5045-002 (PDF) | Product Specification PS-5051-004 (PDF) |
| Product Specification PS-5045-003 (PDF) | Product Specification PS-5102-004 (PDF) |
| Product Specification PS-5045-004 (PDF) | RoHS Certificate of Compliance (PDF) |
| Product Specification PS-5046-004 (PDF) | |



Agency Certification

| | |
|-----|-----------|
| CSA | LR19980 |
| TUV | R72090224 |
| UL | E29179 |

General

| | |
|----------------|--------------------|
| Product Family | Crimp Housings |
| Series | 5051 |
| Overview | kk |
| Product Name | KK@ |

Physical

| | |
|-------------------------------|-----------------|
| Circuits (maximum) | 3 |
| Color - Resin | Natural |
| Flammability | 94V-0 |
| Gender | Female |
| Glow-Wire Compliant | No |
| Material - Resin | Nylon |
| Number of Rows | 1 |
| Packaging Type | Bag |
| Panel Mount | No |
| Pitch - Mating Interface (in) | 0.098 In |
| Pitch - Mating Interface (mm) | 2.50 mm |
| Stackable | No |
| Temperature Range - Operating | -40°C to +105°C |

Material Info

| | |
|-----------------|---------|
| Old Part Number | 5051-03 |
|-----------------|---------|

Reference - Drawing Numbers

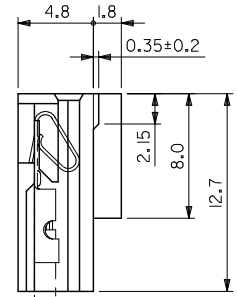
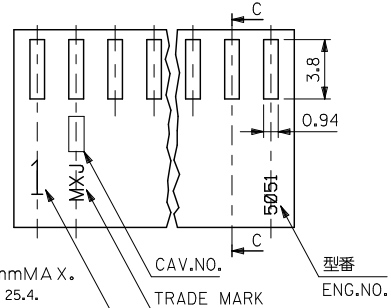
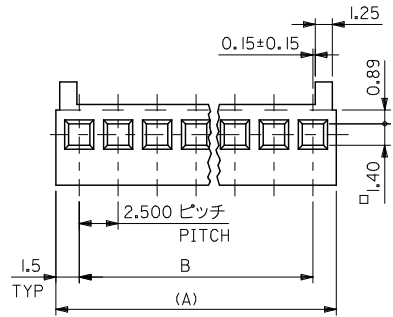
| | |
|-------------------------|---|
| Packaging Specification | SPK-5051-001 |
| Product Specification | PS-5045-001, PS-5045-002, PS-5045-003, PS-5045-004, PS-5046-004, PS-5051-001, PS-5051-002, PS-5051-003, PS-5051-004, PS-5102-004 |
| Sales Drawing | SD-5051-001 |

| | |
|--|--|
| <p>EU RoHS ELV and RoHS Compliant REACH SVHC Contains SVHC: No Halogen-Free Status Not Halogen-Free</p> | <p>China RoHS</p>  |
| <p>Need more information on product environmental compliance?</p> <p>Email productcompliance@molex.com For a multiple part number RoHS Certificate of Compliance, click here</p> <p>Please visit the Contact Us section for any non-product compliance questions.</p> | |

| |
|---|
| <p>Search Parts in this Series 5051Series</p> |
| <p>Mates With 5045 Vertical Header, 5046 Right Angle Header</p> |
| <p>Use With 2759 , 5159</p> |

PLEASE CHECK WWW.MOLEX.COM FOR LATEST PART INFORMATION

10 9 8 7 6 5 4 3 2 1



MT'L. NYLON 66(94V-0)

| | | | | |
|--------------|------------|----|------------------|-------|
| 5051-16 | 22-01-1162 | 16 | 37.50±0.25 | 40.50 |
| ▲ -15 | ▲ -1152 | 15 | 35.00±0.20 | 38.00 |
| -14 | -1142 | 14 | 32.50±0.20 | 35.50 |
| -13 | -1132 | 13 | 30.00±0.20 | 33.00 |
| -12 | -1122 | 12 | 27.50±0.20 | 30.50 |
| -11 | -1112 | 11 | 25.00±0.15 | 28.00 |
| -10 | -1102 | 10 | 22.50±0.15 | 25.50 |
| -09 | -1092 | 9 | 20.00±0.15 | 23.00 |
| -08 | -1082 | 8 | 17.50±0.15 | 20.50 |
| -07 | -1072 | 7 | 15.00±0.15 | 18.00 |
| -06 | -1062 | 6 | 12.50±0.10 | 15.50 |
| -05 | -1052 | 5 | 10.00±0.10 | 13.00 |
| -04 | -1042 | 4 | 7.50±0.10 | 10.50 |
| ▼ -03 | ▼ -1032 | 3 | 5.00±0.10 | 8.00 |
| 5051-02 | 22-01-1022 | 2 | 2.50±0.08 | 5.50 |
| MATERIAL NO. | PART NO. | 極数 | B | (A) |
| | | | MODEL NO. 5051-N | |

- 注) NOTE.
- そりは長さ25.4mmに対して0.2mmMAX. CAMBER MUST BE WITHIN 0.2 MAX. PER 25.4.
 - () 寸法は参考値 DIMENSION SHOWN IN () ARE REFERENCE.
 - サーキットNO. 1のみ表示 但し2極の場合は MX-Jマーク側が1となる WHEN 2 CIRCUITS HOUSING TRADE MARK SIDE IN NO.1 CIRCUIT.

CAV.NO. 型番 ENG.NO.
 TRADE MARK
 サーキットNO. (注3参照) CIRCUIT NO. (1 ONLY) SEE NOTE 3.

| | | | | | | | |
|--|---------------------------------------|---------------------------|-----------------------------|------------------|--|------------------------|---------------------------|
| REVISED EC NO: J2010-1867 DRAWN: TSURUOKA 2010/03/19 CHKD: THARYAMA 2010/03/23 APPR: HIRATA 2010/03/23 | GENERAL TOLERANCES (UNLESS SPECIFIED) | | DIMENSION STYLE MM ONLY | | SCALE 4:1 | DESIGN UNITS METRIC | THIRD ANGLE PROJECTION |
| | 10 UNDER | ±0.25 | DRAWN BY K. KOHAMA | DATE '00/3/28 | TITLE 2.50/(.098) CENTERS KK POLZG HSG | | |
| | 10 OVER 30 UNDER | ±0.3 | CHECKED BY T. YAMAGUCHI | DATE '00/3/30 | | | |
| | 30 OVER | ±0.35 | APPROVED BY M. FUKUSHIMA | DATE '00/3/30 | MOLEX INCORPORATED DOCUMENT NO. SD-5051-001 SHEET NO. 1 OF 1 | | |
| ANGULAR | ±3 ° | MATERIAL NO. SEE TABLE | | | | | |
| DRAFT WHERE APPLICABLE MUST REMAIN WITHIN DIMENSIONS | | SIZE A3 | | | THIS DRAWING CONTAINS INFORMATION THAT IS PROPRIETARY TO MOLEX INCORPORATED AND SHOULD NOT BE USED WITHOUT WRITTEN PERMISSION | | |