

PLEASE CHECK WWW.MOLEX.COM FOR LATEST PART INFORMATION

Part Number: [0010101033](#)
Status: **Active**
Overview: [kk](#)
Description: 5.08mm (.200") Pitch KK® PC Board Connector, Top Entry Mount Style C, 1.0µm (40µ") Tin (Sn), 3 Circuits

Documents:

3D Model	Product Specification PS-99020-0087 (PDF)
Drawing (PDF)	RoHS Certificate of Compliance (PDF)

Agency Certification

CSA	LR19980
UL	E29179

General

Product Family	PCB Receptacles
Series	3002
Application	Board-to-Board
Overview	kk
Product Name	KK®

Physical

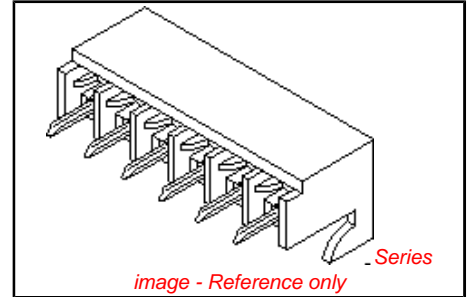
Circuits (Loaded)	3
Color - Resin	Natural
Durability (mating cycles max)	25
Flammability	94V-2
Glow-Wire Compliant	No
Material - Metal	Phosphor Bronze
Material - Plating Mating	Tin
Material - Plating Termination	Tin
Material - Resin	Nylon
Number of Rows	1
Orientation	Vertical
PC Tail Length (in)	0.110 In
PC Tail Length (mm)	2.79 mm
PCB Locator	No
PCB Retention	None
PCB Thickness Recommended (in)	0.062 In
PCB Thickness Recommended (mm)	1.60 mm
Packaging Type	Tray
Pitch - Mating Interface (in)	0.200 In
Pitch - Mating Interface (mm)	5.08 mm
Plating min: Mating (µin)	40.00
Plating min: Mating (µm)	1.000
Plating min: Termination (µin)	40.00
Plating min: Termination (µm)	1.00
Polarized to PCB	No
Temperature Range - Operating	0°C to +75°C
Termination Interface: Style	Through Hole

Electrical

Current - Maximum per Contact	7A
Voltage - Maximum	250V

Solder Process Data

Lead-free Process Capability	Wave Capable (TH only)
------------------------------	------------------------



EU RoHS
ELV and RoHS
Compliant
REACH SVHC
 Not Reviewed
Halogen-Free
Status
Halogen-Free

China RoHS



Need more information on product environmental compliance?

Email productcompliance@molex.com
 For a multiple part number RoHS Certificate of Compliance, [click here](#)

Please visit the [Contact Us](#) section for any non-product compliance questions.

Search Parts in this Series
[3002Series](#)

Mates With
[3003](#) , [2599](#) , [3008](#)

Material Info

Old Part Number

300203C

Reference - Drawing Numbers

Product Specification

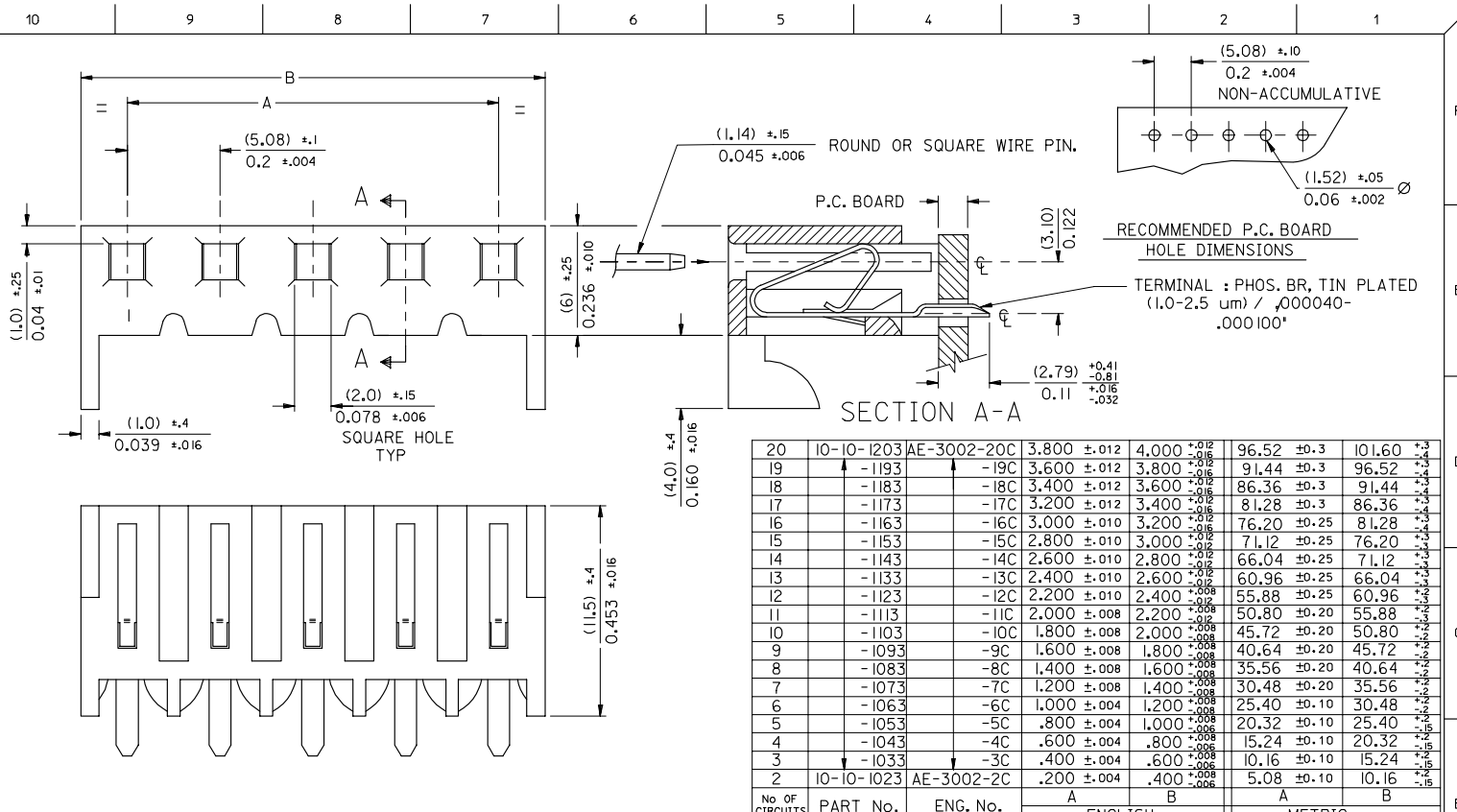
PS-99020-0087

Sales Drawing

SDAE-3002-NC-*

This document was generated on 05/21/2010

PLEASE CHECK WWW.MOLEX.COM FOR LATEST PART INFORMATION



NOTE :
 1. DIMENSIONS SHOWN (MILLIMETERS) INCHES
 2. HOOKS AVAILABLE ON ENDS ONLY
 3. THIS PART CONFORMS TO MOLEX PROD.SPEC.99020-0087

REVISION UPDATE IEC NO. E2005-0200 DRAWN BY: GSKWEN 2004/10/05 CHECKED BY: MARIART 2004/10/05 APPR: JDEINERT 2004/10/06	QUALITY SYMBOLS ▽=0 ▽=0	GENERAL TOLERANCES (UNLESS SPECIFIED) mm INCH 4 PLACES ±.--- ±.--- 3 PLACES ±.25 ±.010 2 PLACES ±.35 ±.014 1 PLACE ±.--- ±.--- ANGULAR ±1/2°	DIMENSION STYLE MM/IN DRAWN BY: P MOORE 1998/09/14 CHECKED BY: MGOONEY 1999/03/08 APPROVED BY: MWILHITE 1999/03/08	SCALE 5:1	DESIGN UNITS METRIC	THIRD ANGLE PROJECTION
		DRAFT WHERE APPLICABLE MUST REMAIN WITHIN DIMENSIONS	MATERIAL NO. SEE CHART	DOCUMENT NO. SDAE-3002-NC-*	SHEET NO. 1 OF 2	

KONEKTCO & P.C. TAIL TERMINAL ASSEMBLY
MOLEX INCORPORATED

THIS DRAWING CONTAINS INFORMATION THAT IS PROPRIETARY TO MOLEX INCORPORATED AND SHOULD NOT BE USED WITHOUT WRITTEN PERMISSION