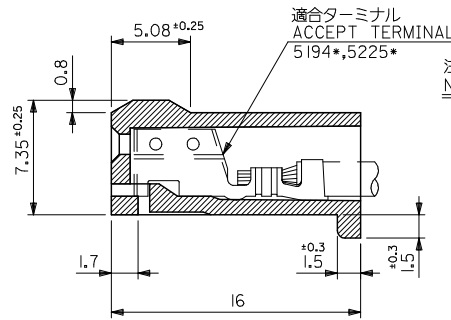
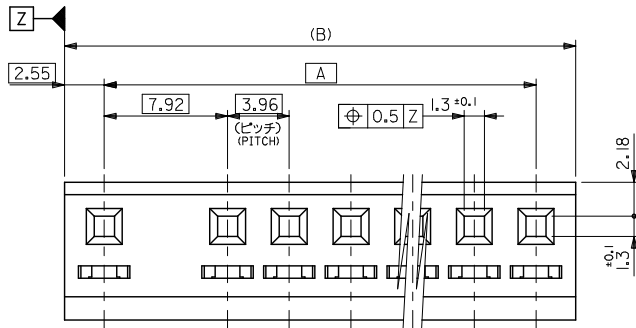
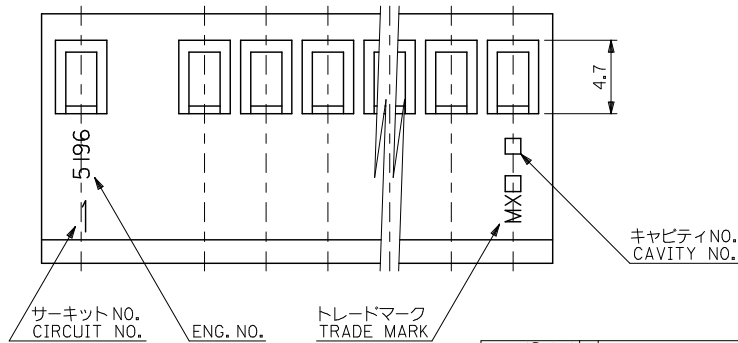


10 9 8 7 6 5 4 3 2 1



注記 NOTES

- 各部の反りは0.5最大。WARPING : 0.5 MAX.
- サーキットNO.はNO."1"のみ表示。CIRCUIT NO. : 1 ONLY.
- ELV 及びRoHS適合品。ELV AND RoHS COMPLIANT.



52.62	47.52	09-50-1123	5196-12	12
48.66	43.56	↑ -1113	↑ -11	11
44.7	39.6	-1103	-10	10
40.74	35.64	-1093	-09	9
36.78	31.68	-1083	-08	8
32.82	27.72	-1073	-07	7
28.86	23.76	-1063	-06	6
24.9	19.8	-1053	-05	5
20.94	15.84	-1043	-04	4
16.98	11.88	↓ -1033	↓ -03	3
13.02	7.92	09-50-1023	5196-02	2
B	A	EDP. NO.	ENG. NO.	標記 NO. OF CXTS.

REVISED IEC NO: J2009-2074 DRAWN: CARIZONO 2009/04/15 CHECKED: HARUYAMA 2009/04/16 APPR: NIKITA 2009/04/16 REV: K	GENERAL TOLERANCES (UNLESS SPECIFIED)	DIMENSION STYLE MM ONLY	SCALE 4:1	DESIGN UNITS METRIC	THIRD ANGLE PROJECTION
	10 UNDER ±0.2	DRAWN BY M. FUJIKURA	DATE 1992/09/07	TITLE SPOX 7.92/3.96 REC HSG	
	10 OVER 30 UNDER ±0.25	CHECKED BY H. HIRAMOTO	DATE 1992/09/08	MOLEX INCORPORATED	
	30 OVER ±0.3	APPROVED BY M. FUKUSHIMA	DATE 1992/09/08	DOCUMENT NO. SD-5196-001	SHEET NO. 1 OF 1
ANGULAR ±3 °	DRAFT WHERE APPLICABLE MUST REMAIN WITHIN DIMENSIONS		THIS DRAWING CONTAINS INFORMATION THAT IS PROPRIETARY TO MOLEX INCORPORATED AND SHOULD NOT BE USED WITHOUT WRITTEN PERMISSION		

材料 MATERIAL  
 ナイロン66, UL94V-2  
 色: オフホワイト  
 NYLON66, UL94V-2  
 COLOR: OFFWHITE