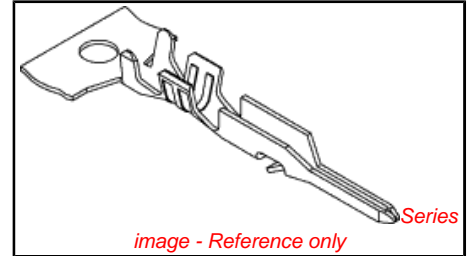


PLEASE CHECK WWW.MOLEX.COM FOR LATEST PART INFORMATION

Part Number: **0008700102**
Status: **Active**
Overview: [spox_bmi](#)
Description: 2.50mm (.098") Pitch SPOX™ Wire-to-Wire Male Crimp Terminal, Reel

Documents:

3D Model	Product Specification PS-5102-006 (PDF)
Drawing (PDF)	Product Specification PS-51191-003 (PDF)
Product Specification PS-5102-003 (PDF)	RoHS Certificate of Compliance (PDF)
Product Specification PS-5102-005 (PDF)	



General

Product Family	Crimp Terminals
Series	5241
Crimp Quality Equipment	Yes
Overview	spox_bmi
Product Name	SPOX™

Physical

Gender	Male
Material - Metal	Brass
Material - Plating Mating	Tin
Material - Plating Termination	Tin
Packaging Type	Reel
Plating min: Mating (µin)	35
Plating min: Mating (µm)	0.88
Plating min: Termination (µin)	35
Plating min: Termination (µm)	0.88
Termination Interface: Style	Crimp or Compression
Wire Insulation Diameter	1.15-1.90mm (.045-.075")
Wire Size AWG	22, 24, 26, 28
Wire Size mm²	N/A

Material Info

Old Part Number	5241T
-----------------	-------

Reference - Drawing Numbers

Product Specification	PS-5102-003, PS-5102-005, PS-5102-006, PS-51191-003
Sales Drawing	SD-5241*

EU RoHS
ELV and RoHS
Compliant
REACH SVHC
Contains SVHC: No
Halogen-Free
Status
Halogen-Free



Need more information on product environmental compliance?

Email productcompliance@molex.com
 For a multiple part number RoHS Certificate of Compliance, [click here](#)

Please visit the [Contact Us](#) section for any non-product compliance questions.

Search Parts in this Series
 5241Series

Mates With
 50802 female crimp terminal

Use With
 5240

Application Tooling | FAQ
Tooling specifications and manuals are found by selecting the products below. Crimp Height Specifications are then contained in the Application Tooling Specification document.

Global	
Description	Product #
Hand Crimp Tool	0638190800
FineAdjust™	0639004600
Applicator for SPOX™ Wire-to-Board and Wire-to-Wire Terminal, 22-28 AWG	

T2 Terminator 0639104600
Tooling Die

Japan

Description **Product #**

Applicator for M211A 0011260050

Bench Press, 22-28

AWG, for 5241

Crimp Terminal

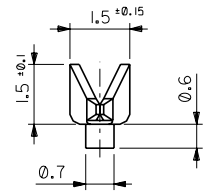
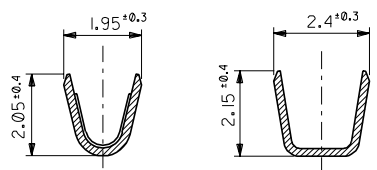
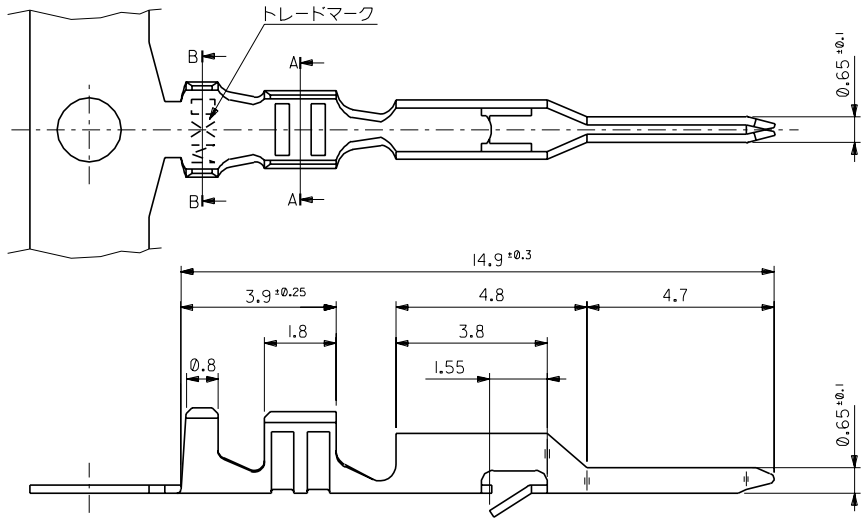
Hand Extraction Tool 0011260060

This document was generated on 05/17/2010

PLEASE CHECK WWW.MOLEX.COM FOR LATEST PART INFORMATION

EDP NO. 08-70-010*
 ENG. NO. SD-5241*

1:MM DIMENSIONS IN METRIC DO NOT SCALE DRAWING



注記
 1. 適合ハウジング：5240 & 51012シリーズ
 2. 嵌合相手ターミナル：5103*

錫メッキ黄銅	08-70-0103	5241TL	バラ状
錫メッキ黄銅	08-70-0102	5241T	連鎖状
材料	EDP NO.	ENG. NO.	端子形状

角度 ANGLE		±3°						材料 MATERIAL	表参照 (t0.203)	MOLEX-JAPAN CO.,LTD. 日本モレックス株式会社
30°以上 OVER	30° UNDER	±0.3						仕上げ FINISH	Sn: 0.9µMIN. Cu: 0.5µMIN.	
10°以上 OVER	10° UNDER	±0.25						適用電線範囲 WIRE RANGE	AWG #22 ~ 28 0.33 ~ 0.08mm ²	ENG. NO.
10°以上 OVER	10° UNDER	±0.2						被覆外径 INS. RANGE	φ1.15 ~ φ1.9	SD-5241*
一般公差 GENERAL TOLERANCES								REVISION RECORD	REVISION RECORD	REV D
								DRAWN BY	K.IQJ/90/12/25M	TITLE 名称
								CHK'D BY	9/1/02/27	MINI SPOX
								APP'D BY	9/1/02/27	CRIMP PIN
								SCALE	10 - 1	

THIS DRAWING CONTAINS INFORMATION THAT IS PROPRIETARY TO MOLEX/JAPAN AND SHOULD NOT BE USED WITHOUT WRITTEN PERMISSION
 本図面は日本モレックス(株)の所有する情報を含むもので 当社の許可なく複製を禁止する。 MXJ-8