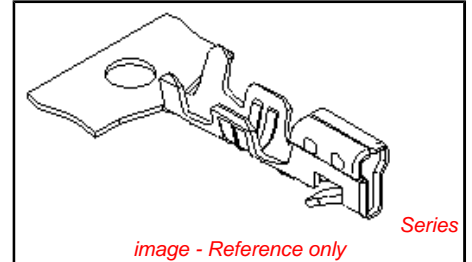


PLEASE CHECK WWW.MOLEX.COM FOR LATEST PART INFORMATION

Part Number: **0008700056**
Status: **Active**
Overview: [spox_bmi](#)
Description: SPOX™ Crimp Terminal 5103, 22-28 AWG, Reel, Brass (CuZn), Chain Type, Lead Free



Documents:

- | | |
|---|---|
| Drawing (PDF) | Product Specification PS-5102-008 (PDF) |
| Product Specification PS-5045-001 (PDF) | Product Specification PS-5103-001 (PDF) |
| Product Specification PS-5045-002 (PDF) | Product Specification PS-5103-002 (PDF) |
| Product Specification PS-5102-002 (PDF) | RoHS Certificate of Compliance (PDF) |
| Product Specification PS-5102-004 (PDF) | |

General

Product Family	Crimp Terminals
Series	5103
Crimp Quality Equipment	Yes
Overview	spox_bmi
Product Name	SPOX™

Physical

Durability (mating cycles max)	30
Gender	Female
Material - Metal	Brass
Material - Plating Mating	Tin
Material - Plating Termination	Tin
Packaging Type	Reel
Plating min: Mating (µin)	35
Plating min: Mating (µm)	0.88
Plating min: Termination (µin)	35
Plating min: Termination (µm)	0.88
Termination Interface: Style	Crimp or Compression
Wire Insulation Diameter	1.90mm (.075") max.
Wire Size AWG	22, 24, 26, 28
Wire Size mm²	N/A

Electrical

Current - Maximum per Contact	3A
Voltage - Maximum	250V

Material Info

Old Part Number	5103T
-----------------	-------

Reference - Drawing Numbers

Product Specification	PS-5045-001, PS-5045-002, PS-5102-002, PS-5102-004, PS-5102-008, PS-5103-001, PS-5103-002, RPS-35155-101, RPS-35155-102
Sales Drawing	SD-5103-002

<p>EU RoHS ELV and RoHS Compliant REACH SVHC Contains SVHC: No Halogen-Free Status Halogen-Free</p>	<p>China RoHS</p>
--	--------------------------

Need more information on product environmental compliance?

Email productcompliance@molex.com
 For a multiple part number RoHS Certificate of Compliance, [click here](#)

Please visit the [Contact Us](#) section for any non-product compliance questions.

Search Parts in this Series
[5103Series](#)

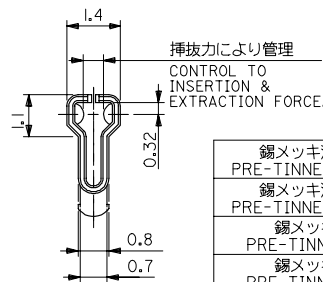
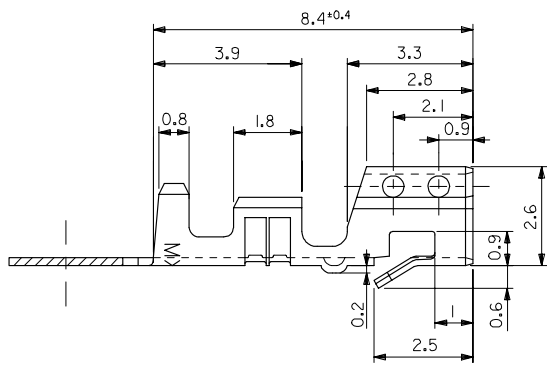
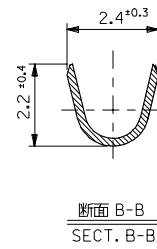
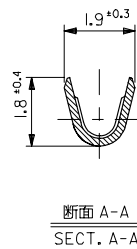
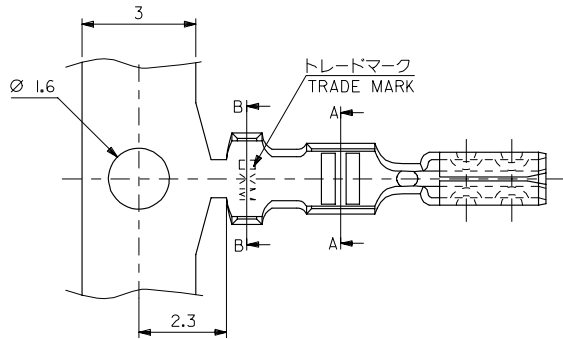
Use With
[5102](#) Crimp Housing, [5207](#) Mini SPOX Housing

Application Tooling | FAQ
Tooling specifications and manuals are found by selecting the products below. Crimp Height Specifications are then contained in the Application Tooling Specification document.

Global Description	Product #
FineAdjust™	0639004600
Applicator for SPOX™ Wire-to-Board and Wire-to-Wire Terminal, 22-28 AWG	
T2 Terminator	0639104600
Tooling Die	
Hand Crimp Tool	0638115200

This document was generated on 05/17/2010

PLEASE CHECK WWW.MOLEX.COM FOR LATEST PART INFORMATION



注記 NOTES:
 1. 適合ハウジング:
 APPLICABLE HOUSING:
 5102-N,5207-N,5208-N,5209-N

錫メッキ済リン青銅 PRE-TINNED PHOS-BRO.	08-70-0059	5103PBT	バラ状 LOOSE
錫メッキ済リン青銅 PRE-TINNED PHOS-BRO.	08-70-0058	5103PBT	連鎖状 CHAIN
錫メッキ済黄銅 PRE-TINNED BRASS	08-70-0057	5103TL	バラ状 LOOSE
錫メッキ済黄銅 PRE-TINNED BRASS	08-70-0056	5103T	連鎖状 CHAIN
材料 MATERIAL	EDP NO.	ENG. NO.	端子形状 FORM

材料 MATERIAL	表参照 (t=0.203) SEE TABLE	REVISED EC NO. J2006-347 DRWKS:AIT001 CHKD:HTANAKA APPR:NIKIITA	GENERAL TOLERANCES (UNLESS SPECIFIED)		DIMENSION STYLE MM ONLY	SCALE 10:1	DESIGN UNITS METRIC	THIRD ANGLE PROJECTION	
適用電線範囲 WIRE RANGE	AWG#22~28 0.33~0.08mm ²		10 UNDER	±0.2	DRAWN BY K.TOJO	DATE 1990/12/25	TITLE MINI SPOX CRIMP REC		
被覆外径 INS. RANGE	Ø1.15 ~ Ø1.9		10 OVER 30 UNDER	±0.25	CHECKED BY H.HIRAMOTO	DATE 1996/03/04	MOLEX INCORPORATED		
		DESCRIPTION N	30 OVER	±0.3	APPROVED BY M.FUKUSHIMA	DATE 1996/03/04	DOCUMENT NO. SD-5103-002	SHEET NO. 1 OF 1	
			ANGULAR	±3 °	MATERIAL NO. SEE CHART				
			DRAFT WHERE APPLICABLE MUST REMAIN WITHIN DIMENSIONS		THIS DRAWING CONTAINS INFORMATION THAT IS PROPRIETARY TO MOLEX INCORPORATED AND SHOULD NOT BE USED WITHOUT WRITTEN PERMISSION				