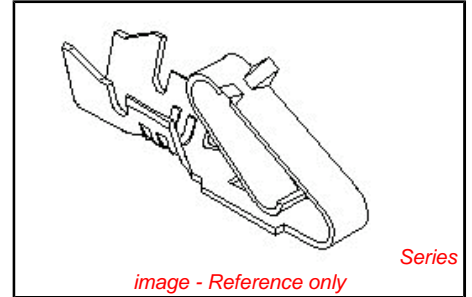


PLEASE CHECK WWW.MOLEX.COM FOR LATEST PART INFORMATION

Part Number: **0008700012**
Status: **Active**
Overview: **kk**
Description: 3.96 and 5.08mm (.156 and .200") Pitch KK® Cat Ear Crimp Terminal, Female, 18-24 AWG, Reel



Documents:

- | | |
|---|---|
| Drawing (PDF) | Product Specification PS-5239-007 (PDF) |
| Product Specification PS-5167-001 (PDF) | Product Specification PS-5273-003 (PDF) |
| Product Specification PS-5167-002 (PDF) | Product Specification PS-5273-004 (PDF) |
| Product Specification PS-5239-002 (PDF) | Product Specification PS-5278-001 (PDF) |
| Product Specification PS-5239-003 (PDF) | Product Specification PS-5278-002 (PDF) |
| Product Specification PS-5239-004 (PDF) | Product Specification PS-5286-001 (PDF) |
| Product Specification PS-5239-005 (PDF) | Product Specification PS-5286-002 (PDF) |
| Product Specification PS-5239-006 (PDF) | RoHS Certificate of Compliance (PDF) |

General

Product Family	Crimp Terminals
Series	5167
Crimp Quality Equipment	Yes
Overview	kk
Product Name	KK®

Physical

Gender	Female
Material - Metal	Brass
Material - Plating Mating	Tin
Material - Plating Termination	Tin
Packaging Type	Reel
Plating min: Mating (µin)	35
Plating min: Mating (µm)	0.88
Plating min: Termination (µin)	35
Plating min: Termination (µm)	0.88
Termination Interface: Style	Crimp or Compression
Wire Insulation Diameter	1.30-2.50mm (.051-.098")
Wire Size AWG	18, 20, 22, 24
Wire Size mm²	N/A

Material Info

Old Part Number	5167T
-----------------	-------

Reference - Drawing Numbers

Product Specification	PS-5167-001, PS-5167-002, PS-5239-002, PS-5239-003, PS-5239-004, PS-5239-005, PS-5239-006, PS-5239-007, PS-5273-003, PS-5273-004, PS-5278-001, PS-5278-002, PS-5286-001, PS-5286-002
Sales Drawing	SD-5167*

EU RoHS ELV and RoHS Compliant REACH SVHC Contains SVHC: No Halogen-Free Status Halogen-Free	China RoHS 
---	--

Need more information on product environmental compliance?

Email productcompliance@molex.com
 For a multiple part number RoHS Certificate of Compliance, [click here](#)

Please visit the [Contact Us](#) section for any non-product compliance questions.

Search Parts in this Series
5167Series

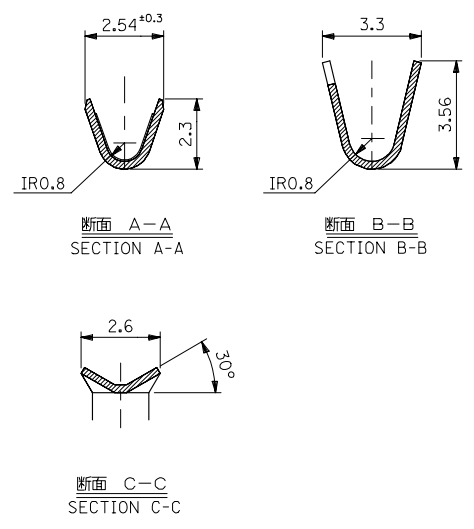
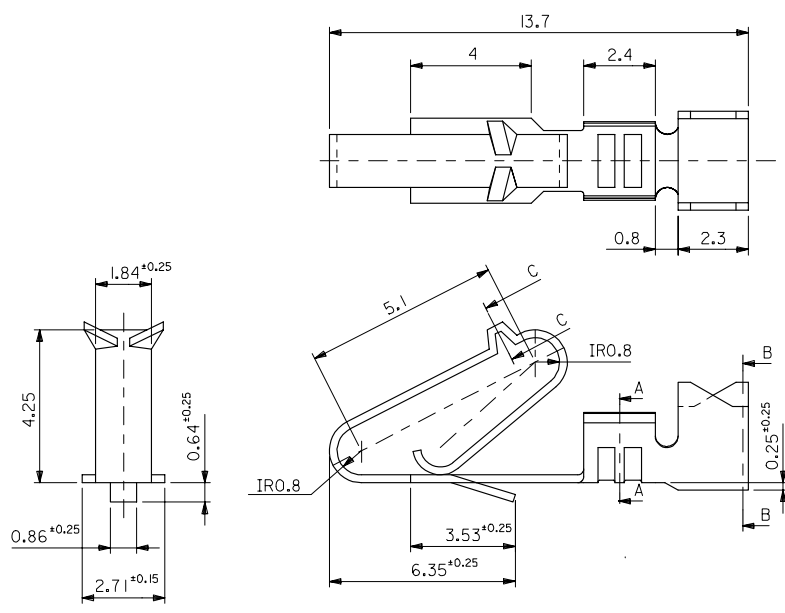
Use With
5265 , 5239 , 5127 , 5258

Application Tooling | FAQ
Tooling specifications and manuals are found by selecting the products below. Crimp Height Specifications are then contained in the Application Tooling Specification document.

Global	
Description	Product #
Mini-Mac™	0638881200
Applicator	
Hand Crimper	0638117500
Terminator Die	0011402181

Japan	
Description	Product #
Hand Extraction Tool	0011260059

PLEASE CHECK WWW.MOLEX.COM FOR LATEST PART INFORMATION



注記
NOTE
一般公差 : ±0.4
角度 : ±3°
GENERAL TOLERANCES : ±0.4
ANGLE : ±3°

MATERIAL
SEE CHART

REVISED REV. NO. J2005-0061 EC. NO. 2005/02/03 DRAWN/TAMAKA CHKD/NIKITA APPR/NIKITA 2005/02/04 2005/02/10	GENERAL TOLERANCES (UNLESS SPECIFIED)		DIMENSION STYLE MM ONLY		SCALE 8:1	DESIGN UNITS METRIC	THIRD ANGLE PROJECTION
	10 UNDER	±0.2	DRAWN BY MHANAMUR	DATE 1996/05/23	TITLE STD KK CRIMP REC		
	10 OVER 30 UNDER	±0.25	CHECKED BY MFUKUSHI	DATE 1996/05/23	MATERIAL NO. SEE CHART		
	30 OVER	±0.3	APPROVED BY MENOMOTO	DATE 1996/05/23	DOCUMENT NO. SD-5167*		
ANGULAR ±3°		DRAFT WHERE APPLICABLE MUST REMAIN WITHIN DIMENSIONS		MATERIAL NO. SEE CHART		SHEET NO. 1 OF 1	

磷青銅 PHOSPHOR BRONZE	錫メッキ TIN PLATING	08-70-1034	5167PBTL	1/2級 LOOSE
黄銅 BRASS	新めっき TIN OVER COPPER PLATING	08-70-0097	5167PBT	1/2級 CHAIN
		08-70-0013	5167TL	1/2級 LOOSE
		08-70-0012	5167T	1/2級 CHAIN
銅 MATERIAL	メッキ PLATE	EDP.NO.	ENG.NO.	取 FORM