

PLEASE CHECK WWW.MOLEX.COM FOR LATEST PART INFORMATION

Part Number: [0008550110](#)
Status: **Active**
Overview: [kk](#)
Description: KK® Cat Ear Crimp Terminal 4809, 22-30 AWG, Reel Selective Gold (Au)

Documents:

3D Model	Product Specification PS-99020-0088 (PDF)
Drawing (PDF)	RoHS Certificate of Compliance (PDF)
Product Specification PS-10-07 (PDF)	

General

Product Family	Crimp Terminals
Series	4809
Crimp Quality Equipment	Yes
Overview	kk
Product Name	Cat Ear, KK®

Physical

Gender	Female
Material - Metal	Brass
Material - Plating Mating	Gold
Material - Plating Termination	Gold
Packaging Type	Reel
Plating min: Mating (µin)	15.2
Plating min: Mating (µm)	0.38
Plating min: Termination (µin)	15.2
Plating min: Termination (µm)	0.38
Termination Interface: Style	Crimp or Compression
Wire Insulation Diameter	1.57mm (.062") max.
Wire Size AWG	22, 24, 26, 28, 30
Wire Size mm²	N/A

Material Info

Old Part Number	4809-(555)
-----------------	------------

Reference - Drawing Numbers

Product Specification	PS-10-07, PS-99020-0088
Sales Drawing	SD-4809-*

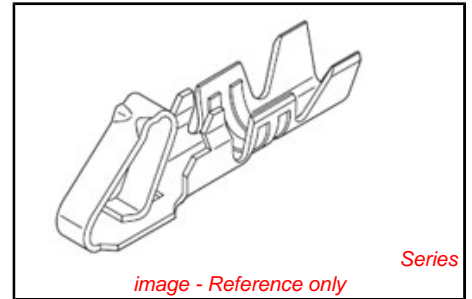


image - Reference only

<p>EU RoHS ELV and RoHS Compliant REACH SVHC Contains SVHC: No Halogen-Free Status Halogen-Free</p>	<p>China RoHS</p>
--	--------------------------

Need more information on product environmental compliance?

Email productcompliance@molex.com
 For a multiple part number RoHS Certificate of Compliance, [click here](#)

Please visit the [Contact Us](#) section for any non-product compliance questions.

Search Parts in this Series
[4809Series](#)

Application Tooling | FAQ

Tooling specifications and manuals are found by selecting the products below. Crimp Height Specifications are then contained in the Application Tooling Specification document.

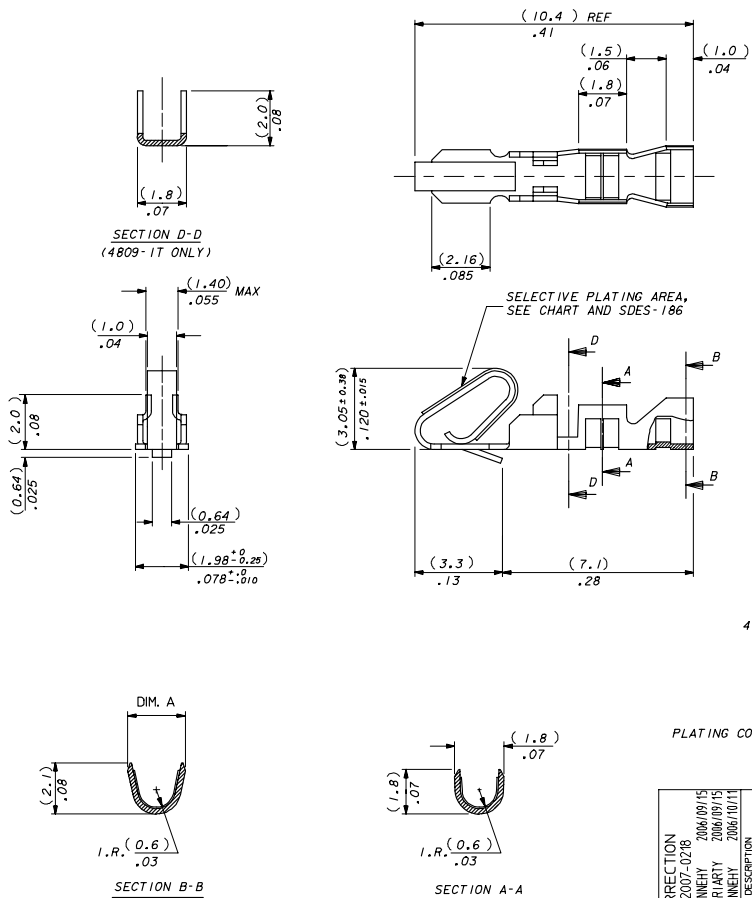
Global

Description	Product #
Extraction Tool	0011030022
Terminator Die	0011402102
Insertion Tool	0638120000

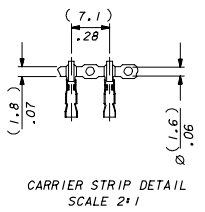
PLEASE CHECK WWW.MOLEX.COM FOR LATEST PART INFORMATION

NOTES:

1. MATERIAL: (0.2)X.008 THICK BRASS 70/30, FOR MATL. SPEC SEE SHEET 2.
2. SUITABLE FOR 22-30 GA WIRE, (1.57)X.062 MAX INSULATION.
3. CODE LETTER PRECEDING PART No DESIGNATES MANUFG. LOCATION, 1-IRELAND.
4. TERMINAL MUST MEET BEND SPEC. SDES-219.
5. THIS PART CONFORMS TO PROD. SPEC. 99020-0088



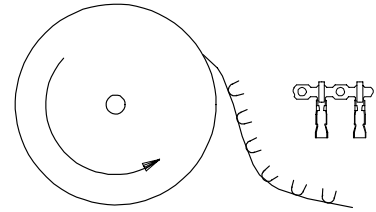
4809- (*) * *
 BLANK : DIM. A = (2.45-1.75) / .096-.069
 M: DIM A = (2.35-2.05) / .093-.081
 BLANK-CHAIN FORM TOP FEEDING REEL
 L-LOOSE FORM
 BF-CHAIN FORM, BOTTOM FEEDING REEL



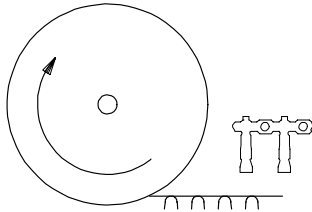
DIM CORRECTION EC NO: E2007-0218 DRAWN: JDENNEHY 2006/09/15 CHKD: MORIARTY 2006/09/15 APPR: JDENNEHY 2006/10/11	QUALITY SYMBOLS ▽=0 ▽=0	GENERAL TOLERANCES (UNLESS SPECIFIED)		DIMENSION STYLE	SCALE	DESIGN UNITS	THIRD ANGLE PROJECTION	
		mm	INCH	MM/IN	10:1	METRIC	⊙	
AL	DESCRIPTION	4 PLACES ±---	±---	DRAWN BY	DATE	TITLE		
		3 PLACES ±---	±.010	MCC	1986/07/30	ANTI-FISH HOOKING TERMINAL KK.(2.50)/.100		
REV	DESCRIPTION	2 PLACES ±.25	±.014	CHKD BY	DATE	MATERIAL NO. DOCUMENT NO.		
		1 PLACE ±0.35	±---	MORIARTY	2004/10/18	SEE CHART	SD-4809-*	
		ANGULAR ±---	±---	APPROVED BY	DATE	SHEET NO.		
		DRAFT WHERE APPLICABLE MUST REMAIN WITHIN DIMENSIONS		JDENNEHY	2004/10/19	1 OF 2		
		MATERIAL NO. DOCUMENT NO. SD-4809-*						THIS DRAWING CONTAINS INFORMATION THAT IS PROPRIETARY TO MOLEX INCORPORATED AND SHOULD NOT BE USED WITHOUT WRITTEN PERMISSION

FINISH NOTES*

- (P902) HOT TIN DIP 1.0- 2.5UM/(.000040 - .000100)
- (999) UNPLATED
- (109) ELECTRO TIN PLATE (1.6-1.0UM)/.000300-.000400 OVER (1.25-2.0UM)/.000050-.000080 COPPER.
- (505) GOLD PLATE (1.25-1.5UM)/.000050-.000060 OVER (1.25-2.0UM)/.000050-.000080 NICKEL.
- (506) GOLD PLATE (1.25-1.5UM)/.000050-.000060 OVER (2.5-3.25UM)/.000100-.000130 NICKEL.
- (507) GOLD PLATE (2.5-2.75UM)/.000100-.000110 OVER (1.25-2.0UM)/.000050-.000080 NICKEL.
- (509) GOLD PLATE (1.25-1.5UM)/.000050-.000060 OVER (0.76-2.0UM)/.000030-.000080 NICKEL.
- (550) GOLD PLATE (0.38-0.63UM)/.000015-.000025 OVER (0.76-1.5UM)/.000030-.000060 NICKEL IN CONTACT AREA WITH (0.12UM)/.000005 MIN. GOLD FLASH OVERALL.
- (555) SELECTIVE GOLD (0.38UM)/.000015 OVER (0.76UM)/.000030 IN CONTACT AREA ONLY.
- (558) GOLD PLATE (0.76-1.5UM)/.000030-.000060 OVER (1.25-2.0UM)/.000050-.000080 NICKEL IN CONTACT AREA WITH (0.12UM)/.000005 MIN. GOLD FLASH OVERALL.



TERMINALS FEEDING FROM THE TOP OF THE REEL ARE STANDARD WOUND



TERMINALS FEEDING FROM THE BOTTOM OF THE REEL ARE REVERSE WOUND SEE NOTE 5

	NT	4809-(506)	CHAIN	(506)	ES-99001-0014	(2.1)/.083 REF
	NT	↑-(506)L	LOOSE			
I	08-56-0158	-(558)	CHAIN	(558)		(2.1)/.083 REF
	NT	↓-(558)L	LOOSE			
	NT	-(509)	CHAIN	(509)		(2.1)/.083 REF
	NT	↓-(509)L	LOOSE			
	NT	-(109)	CHAIN	(109)		(2.1)/.083 REF
	NT	↓-(109)L	LOOSE			
I	40-01-0829	-(999)	CHAIN	(999)		(2.1)/.083 REF
I	40-01-0830	↓-(999)L	LOOSE			
	NT	-(505)	CHAIN	(505)		(2.1)/.083 REF
	NT	↓-(505)L	LOOSE			
	NT	-(507)	CHAIN	(507)		(2.1)/.083 REF
	NT	↓-(507)L	LOOSE			
I	08-55-0110	-(555)	CHAIN	(555)		(2.1)/.083 REF
I	08-55-0111	↓-(555)L	LOOSE			
	08-56-0120	↓-(550)	CHAIN	(550)	ES-99001-0014	(2.1)/.083 REF
	08-56-0115	↓-(550)L	LOOSE			
I	08-50-0135	↓-(P902)	CHAIN	(P914)	ES-99001-0015	(2.1)/.083 REF
I	08-50-0136	4809-(P902)L	LOOSE			
	PART No	ENG No	FORM	FINISH	MATL. SPEC.	DIM . A

TOP FEEDING REELS ONLY

I	08-50-0022	4809-(109)BF	CHAIN	(109)	(2.1)/.083 REF
I	40-01-0831	↑-(999)BF		(999)	(2.1)/.083 REF
	NT	-(505)BF		(505)	(2.1)/.083 REF
	NT	↓-(507)BF		(507)	(2.1)/.083 REF
I	08-55-0119	-(555)BF		(555)	(2.1)/.083 REF
I	08-56-0155	↓-(550)BF		(550)	(2.1)/.083 REF
I	08-50-0021	4809-(P902)BF	CHAIN	(P902)	(2.1)/.083 REF
	PART No	ENG No	FORM	FINISH	DIM . A

BOTTOM FEEDING REELS ONLY

ADDED PART OPTION EC NO: E2005-0286 DRAWN BY: CHIKDUMRIART CHECKED BY: CHIKDUMRIART APPR: JDENNEHY DATE: 2004/11/03 DATE: 2004/11/04	QUALITY SYMBOLS ▽=0 ▽=0	GENERAL TOLERANCES (UNLESS SPECIFIED)		DIMENSION STYLE MM/IN	SCALE NTS	DESIGN UNITS METRIC	THIRD ANGLE PROJECTION	
		4 PLACES ±--- ±--- 3 PLACES ±--- ±.010 2 PLACES ±0.25 ±.014 1 PLACE ±0.35 ±--- ANGULAR ±--->	DRAWN BY: MCC DATE: 1986/07/30 CHECKED BY: DMOR IART DATE: 2004/10/18 APPROVED BY: JDENNEHY DATE: 2004/10/19	TITLE ANTI-FISH HOOKING TERMINAL KK.(2.50)/.100				
		DRAFT WHERE APPLICABLE MUST REMAIN WITHIN DIMENSIONS			MATERIAL NO. SEE CHART DOCUMENT NO. SD-4809- *		MOLEX INCORPORATED	SHEET NO. 2 OF 2
		THIS DRAWING CONTAINS INFORMATION THAT IS PROPRIETARY TO MOLEX INCORPORATED AND SHOULD NOT BE USED WITHOUT WRITTEN PERMISSION						