

**PLEASE CHECK WWW.MOLEX.COM FOR LATEST PART INFORMATION**

**Part Number:** [0002081201](#)  
**Status:** **Active**  
**Overview:** [disk\\_drive\\_power\\_connector](#)  
**Description:** Disk Drive Power Connection System, Female Crimp Terminal, Reel, Phosphor Bronze, AWG 14-20

**Documents:**

[Drawing \(PDF\)](#) [RoHS Certificate of Compliance \(PDF\)](#)  
[Product Specification PS-8981-4M\\*/4P\\* \(PDF\)](#)

**General**

Product Family Crimp Terminals  
 Series [8980](#)  
 Crimp Quality Equipment Yes  
 Overview [disk\\_drive\\_power\\_connector](#)  
 Product Name Disk Drive Power

**Physical**

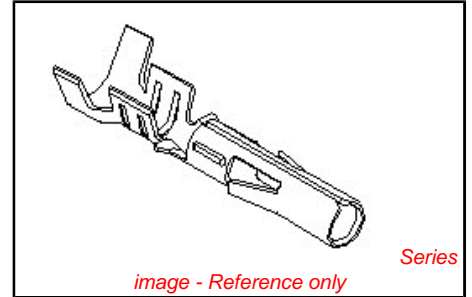
Durability (mating cycles max) 50  
 Gender Female  
 Material - Metal Phosphor Bronze  
 Material - Plating Mating Tin  
 Material - Plating Termination Tin  
 Packaging Type Reel  
 Plating min: Mating (µin) 35  
 Plating min: Mating (µm) 0.89  
 Plating min: Termination (µin) 35  
 Plating min: Termination (µm) 0.89  
 Termination Interface: Style Crimp or Compression  
 Wire Insulation Diameter 2.03-2.74mm (.080-.108")  
 Wire Size AWG 14, 16, 18, 20  
 Wire Size mm<sup>2</sup> N/A

**Material Info**

Old Part Number 8980-3C

**Reference - Drawing Numbers**

Product Specification PS-8981-4M\*/4P\*  
 Sales Drawing SD-8980-3\*



<p><b>EU RoHS</b>  <b>ELV and RoHS</b>  <b>Compliant</b>  <b>REACH SVHC</b>  <b>Contains SVHC: No</b>  <b>Halogen-Free</b>  <b>Status</b>  <b>Halogen-Free</b></p>	<p><b>China RoHS</b></p>
--	--------------------------

**Need more information on product environmental compliance?**  
 Email [productcompliance@molex.com](mailto:productcompliance@molex.com)  
 For a multiple part number RoHS Certificate of Compliance, [click here](#)  
 Please visit the [Contact Us](#) section for any non-product compliance questions.

**Search Parts in this Series**  
[8980Series](#)

**Use With**  
[8981P](#)

**Application Tooling | FAQ**  
*Tooling specifications and manuals are found by selecting the products below. Crimp Height Specifications are then contained in the Application Tooling Specification document.*

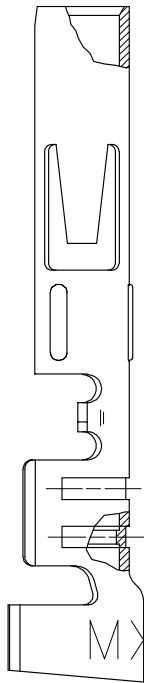
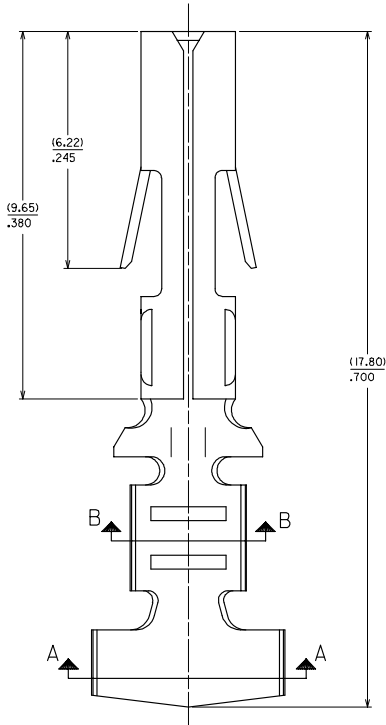
<b>Global</b>	
Description	Product #
Mini-Mac™ Applicator for Disk Drive Power Connector System, Female 14-20 AWG	0638929000
Hand Crimp Tool	0638117000
Extraction Tool	0011030037
Terminator Die	0011402282
<b>Japan</b>	
Description	Product #

Applicator for M211A [0571023000](#)  
Bench Press, 14-22  
AWG, for 8980-3C  
and 8980-3C1 Crimp  
Terminal

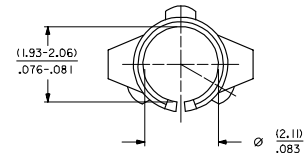
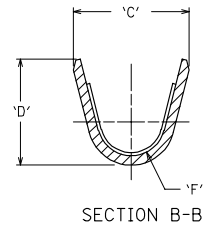
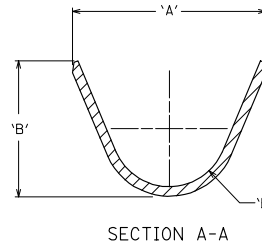
This document was generated on 05/17/2010

**PLEASE CHECK [WWW.MOLEX.COM](http://WWW.MOLEX.COM) FOR LATEST PART INFORMATION**

EDP NO.	ENG NO.	FORM	'A'	'B'	'C'	'D'	'E'	'F'
02-08-1201	8980-3C	CHAIN,14-20 AWG WIRE	(4,44)	(3,39)	(3,02)	(3,61)	(1,23)	(0,61)
02-08-1202	8980-3L	LOOSE,14-20 AWG WIRE	.175	.133	.119	.142	.048	.024



NOTES:  
 1. FINISH: (.00089)/.000035 MN. TIN OVER  
 (.00051)/.000020 MN COPPER (COPPER PLATE REFLOWED)  
 2. MATERIAL: (.025)/.010 THK PHOS  
 BRONZE, ALLOY CA 51000.



OBS060702 EC NO. S2007-0797 DRAWN: MEMARLY 2007/03/30 CHKD: SKANG 2007/04/03 APPR: HLONG 2007/04/03	QUALITY SYMBOLS	GENERAL TOLERANCES (UNLESS SPECIFIED) <table border="1"> <thead> <tr> <th></th> <th>mm</th> <th>INCH</th> </tr> </thead> <tbody> <tr> <td>4 PLACES</td> <td>± ---</td> <td>± ---</td> </tr> <tr> <td>3 PLACES</td> <td>± ---</td> <td>± .010</td> </tr> <tr> <td>2 PLACES</td> <td>± 0.25</td> <td>± ---</td> </tr> <tr> <td>1 PLACE</td> <td>± ---</td> <td>± ---</td> </tr> <tr> <td colspan="3">ANGULAR ± 1 °</td> </tr> </tbody> </table>		mm	INCH	4 PLACES	± ---	± ---	3 PLACES	± ---	± .010	2 PLACES	± 0.25	± ---	1 PLACE	± ---	± ---	ANGULAR ± 1 °			DIMENSION STYLE	SCALE	DESIGN UNITS	THIRD ANGLE PROJECTION
			mm	INCH																				
	4 PLACES		± ---	± ---																				
	3 PLACES		± ---	± .010																				
2 PLACES	± 0.25	± ---																						
1 PLACE	± ---	± ---																						
ANGULAR ± 1 °																								
DESCRIPTION	MM/IN	NTS	METRIC	TITLE TERMINAL SOCKET DIA. (2.096)/.0825																				
REV	DRAFT WHERE APPLICABLE MUST REMAIN WITHIN DIMENSIONS	DRAWN BY: TAY 1987/12/15 CHECKED BY: AT 1987/12/15 APPROVED BY: AB 1987/12/15	MATERIAL NO. SEE TABLE	DOCUMENT NO. SD-8980-3*	MOLEX INCORPORATED SHEET NO. 1 OF 1																			
		THIS DRAWING CONTAINS INFORMATION THAT IS PROPRIETARY TO MOLEX INCORPORATED AND SHOULD NOT BE USED WITHOUT WRITTEN PERMISSION																						