

FEATURES

- **Guaranteed** $\pm 4\text{mV}$ Initial Accuracy LT1004-1.2
- **Guaranteed** $\pm 20\text{mV}$ Accuracy LT1004-2.5
- **Guaranteed** $10\mu\text{A}$ Operating Current
- **Guaranteed** Temperature Performance
- Operates up to 20mA
- Very Low Dynamic Impedance

APPLICATIONS


- Portable Meter References
- Portable Test Instruments
- Battery-Operated Systems
- Current Loop Instrumentation

DESCRIPTION

The LT[®]1004 Micropower Voltage Reference is a 2-terminal bandgap reference diode designed to provide high accuracy and excellent temperature characteristics at very low operating currents. Optimization of the key parameters in the design, processing and testing of the device results in accuracy specifications previously attainable only with selected units. Below is a distribution plot of reference voltage for a typical lot of LT1004-1.2. Virtually all of the units fall well within the prescribed limits of $\pm 4\text{mV}$.

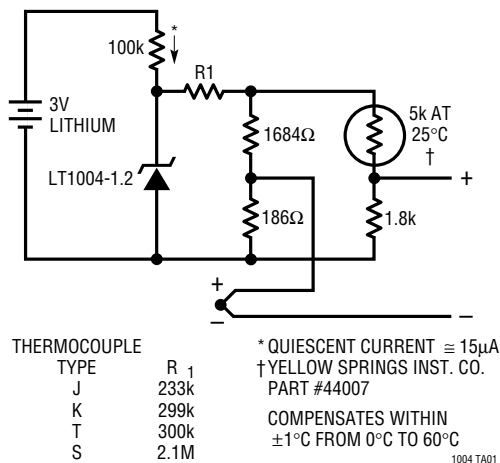
The LT1004 is a pin-for-pin replacement for the LM185/LM385 series of references with improved accuracy specifications. More important, the LT1004 is an attractive device for use in systems where accuracy was previously obtained at the expense of power consumption and trimming.

For a low drift micropower reference with guaranteed temperature coefficient, see the LT1034 data sheet.

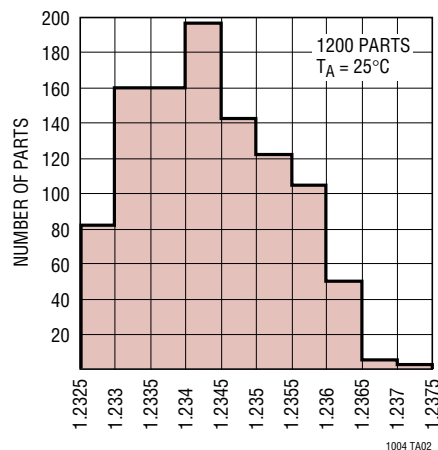
 LTC and LT are registered trademarks of Linear Technology Corporation.

TYPICAL APPLICATION

Micropower Cold Junction Compensation for Thermocouples



Typical Distribution of
 Reference Voltage (LT1004-1.2)

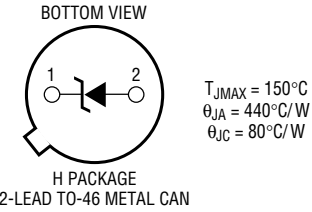
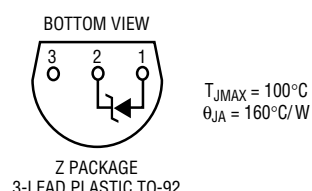
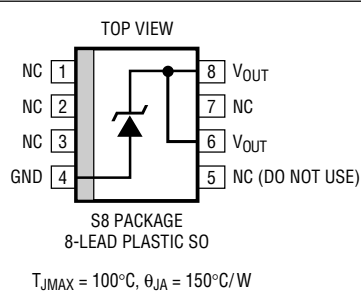


ABSOLUTE MAXIMUM RATINGS

(Note 1)

Reverse Breakdown Current	30mA
Forward Current.....	10mA
Operating Temperature Range	
LT1004M	-55°C to 125°C
LT1004I	-40°C to 85°C
LT1004C	0°C to 70°C
Storage Temperature Range	-65°C to 150°C
Lead Temperature (Soldering, 10 sec.).....	300°C

PACKAGE/ORDER INFORMATION

	ORDER PART NUMBER
 <p>H PACKAGE 2-LEAD TO-46 METAL CAN</p>	LT1004MH-1.2 LT1004MH-2.5 LT1004CH-1.2 LT1004CH-2.5
 <p>Z PACKAGE 3-LEAD PLASTIC TO-92</p>	LT1004CZ-1.2 LT1004CZ-2.5 LT1004IZ-1.2 LT1004IZ-2.5
 <p>S8 PACKAGE 8-LEAD PLASTIC SO</p>	LT1004CS8-1.2 LT1004CS8-2.5 LT1004IS8-1.2 LT1004IS8-2.5
	S8 PART MARKING
	0412 0425 0412I 0425I

ELECTRICAL CHARACTERISTICS (Note 2)

SYMBOL	PARAMETER	CONDITIONS	LT1004-1.2			LT1004-2.5			UNITS
			MIN	TYP	MAX	MIN	TYP	MAX	
V _Z	Reverse Breakdown Voltage	I _R = 100µA	1.231	1.235	1.239	2.480	2.500	2.520	V
		LT1004M: -55°C ≤ T _A ≤ 125°C	● 1.220	1.230	1.245	2.460	2.500	2.535	V
		LT1004C: 0°C ≤ T _A ≤ 70°C	● 1.225	1.235	1.245	2.470	2.500	2.530	V
		LT1004I: -40°C ≤ T _A ≤ 85°C	● 1.220	1.230	1.245	2.460	2.500	2.530	V
$\frac{\Delta V_Z}{\Delta \text{Temp}}$	Average Temperature Coefficient	I _{MIN} ≤ I _R ≤ 20mA (Note 3)	50			50			ppm/°C
I _{MIN}	Minimum Operating Current		● 8	10		12	20	µA	
$\frac{\Delta V_Z}{\Delta I_R}$	Reverse Breakdown Voltage Change with Current	I _{MIN} ≤ I _R ≤ 1mA				1.0			mV
						1.5			mV
		1mA ≤ I _R ≤ 20mA				10			mV
r _Z	Reverse Dynamic Impedance	I _R = 100µA				10			mV
						20			mV
e _n	Wide Band Noise (RMS)	I _R = 100µA 10Hz ≤ f ≤ 10kHz	0.2			0.2			Ω
			0.6			0.6			Ω
$\frac{\Delta V_Z}{\Delta \text{Time}}$	Long Term Stability	I _R = 100µA T _A = 25°C ± 0.1°C				1.5			µV
			60			120			ppm/kHz
			20			20			ppm/kHz

The ● denotes the specifications which apply over the full operating temperature range.

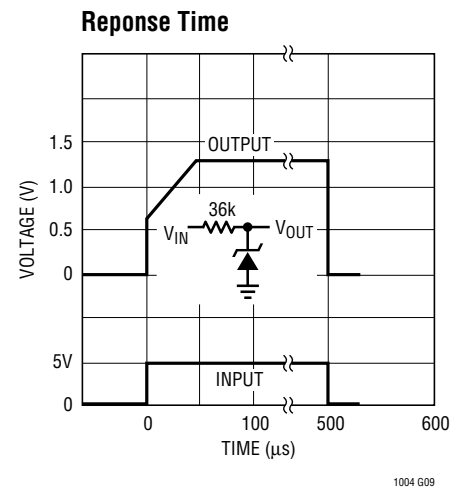
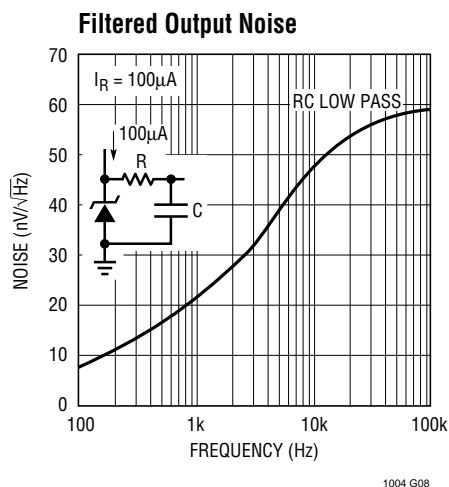
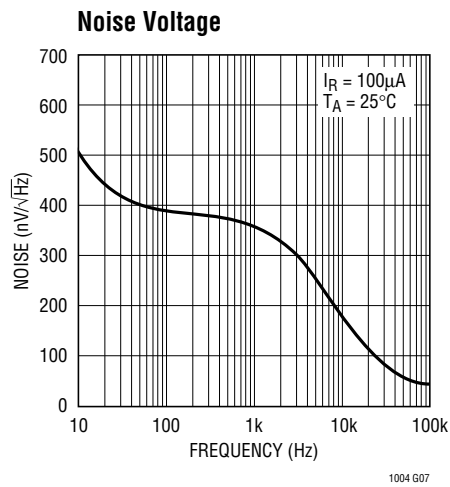
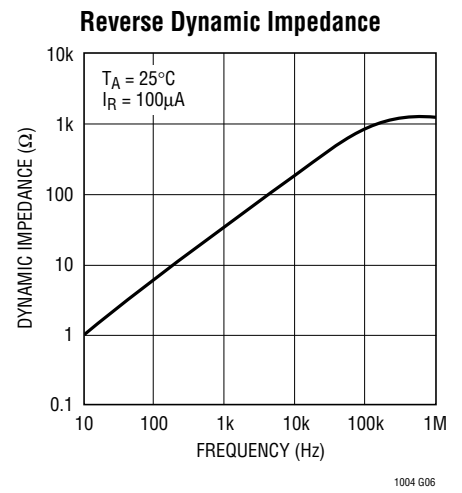
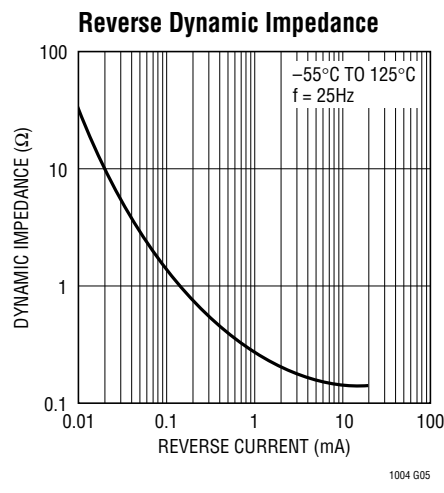
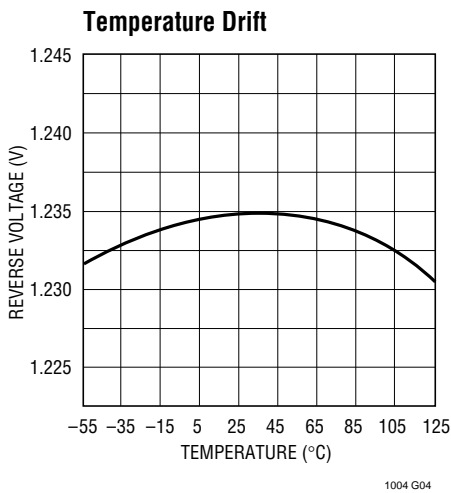
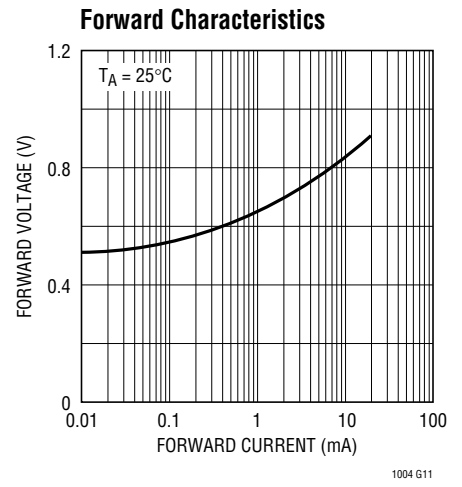
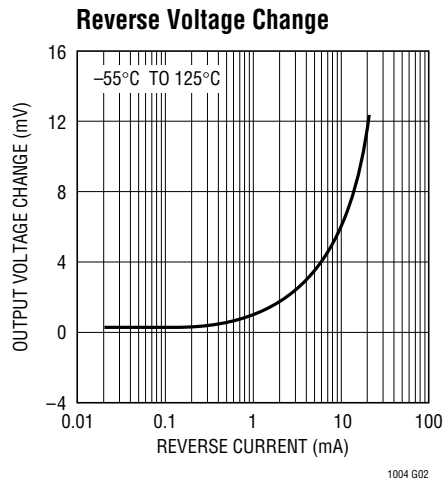
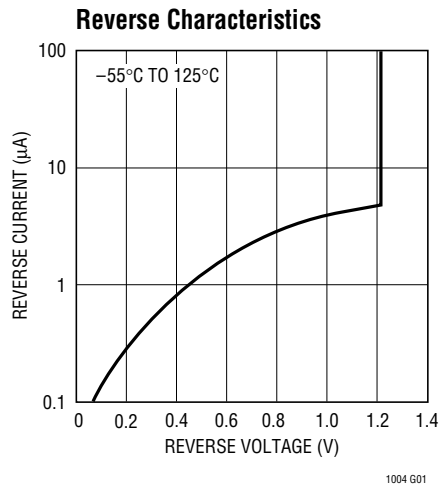
Note 1: Absolute Maximum Ratings are those values beyond which the life of a device may be impaired.

Note 2: All specifications are for T_A = 25°C unless otherwise noted.

Note 3: Selected devices with guaranteed maximum temperature coefficient are available upon request.

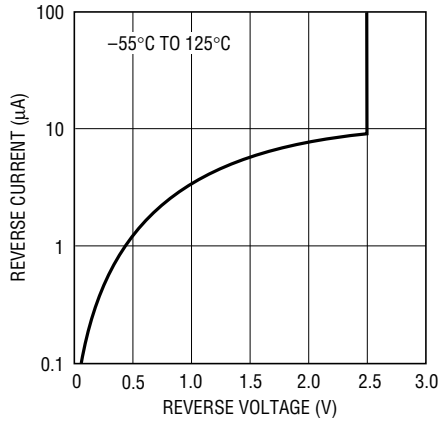
For MIL-STD components, please refer to LTC 883C data sheet for test listing and parameters.

TYPICAL PERFORMANCE CHARACTERISTICS (1.2V)



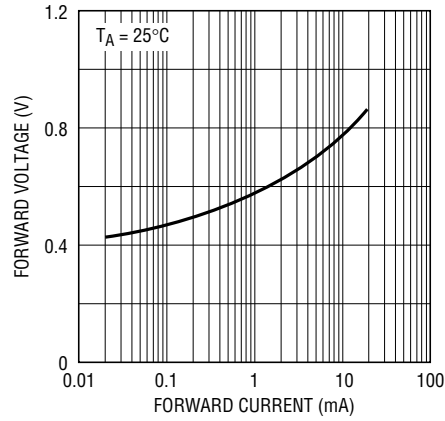
TYPICAL PERFORMANCE CHARACTERISTICS (2.5V)

Reverse Characteristics



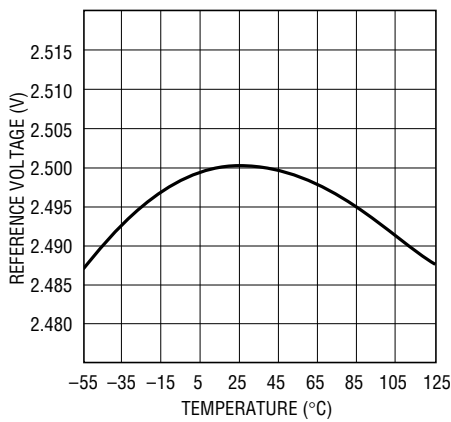
1004 G10

Forward Characteristics



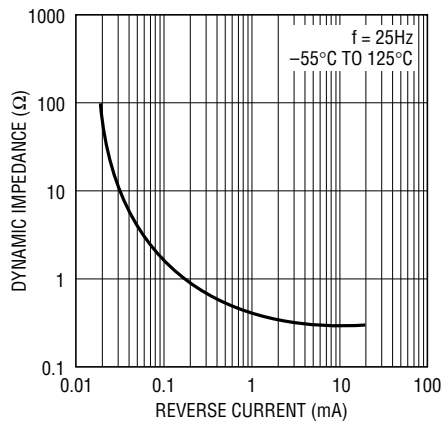
1004 G11

Temperature Drift



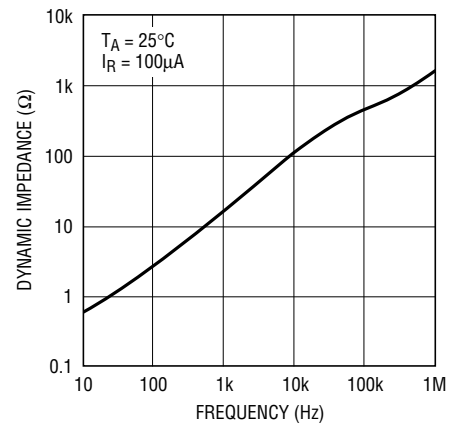
1004 G12

Reverse Dynamic Impedance



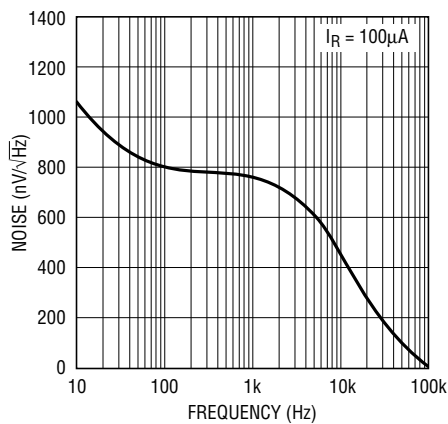
1004 G13

Reverse Dynamic Impedance



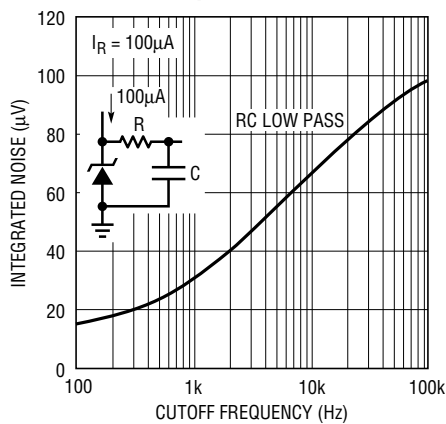
1004 G14

Noise Voltage



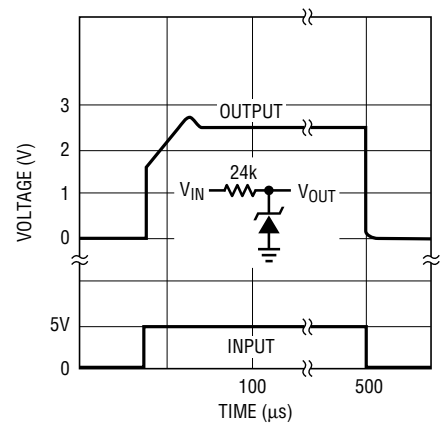
1004 G15

Filtered Output Noise



1004 G16

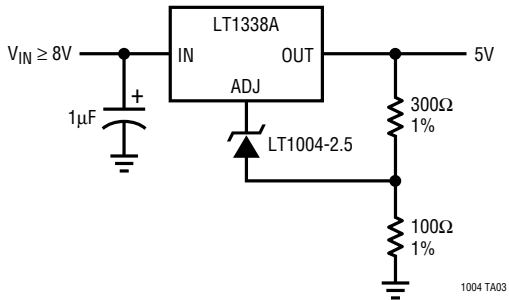
Reponse Time



1004 G17

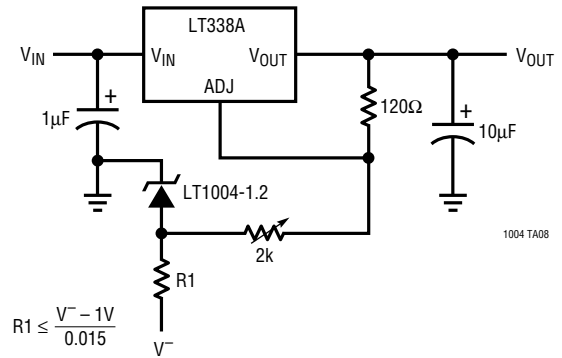
TYPICAL APPLICATIONS

High Stability 5V Regulator



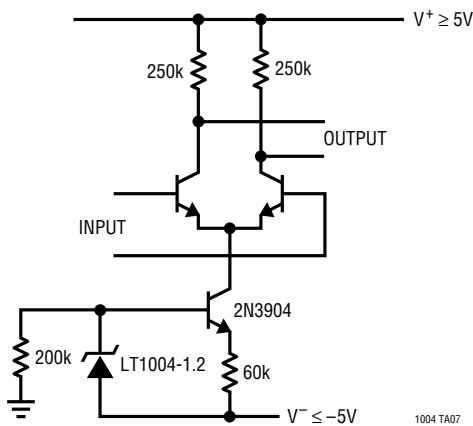
1004 TA03

Variable Output Supply



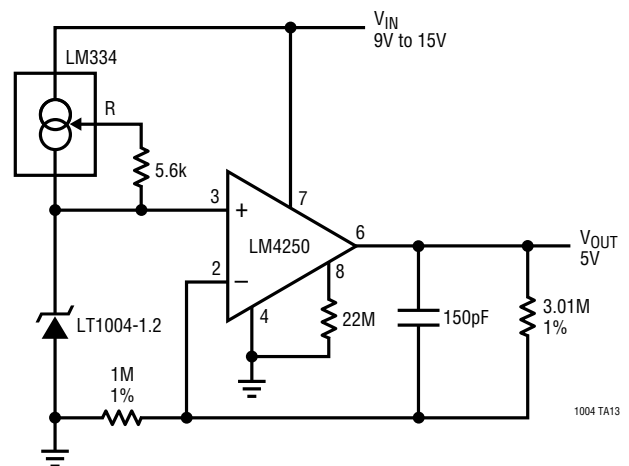
1004 TA08

Constant Gain Amplifier Over Temperature



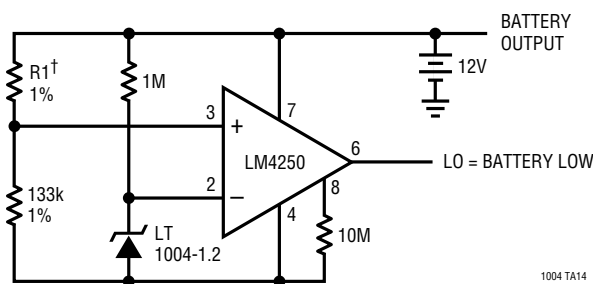
1004 TA07

Micropower 5V Reference



1004 TA13

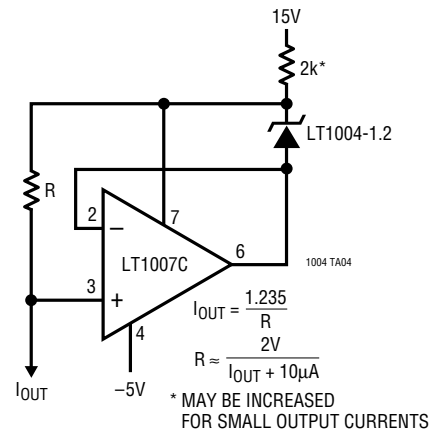
Lead Acid Low Battery Detector



1004 TA14

† R1 SETS TRIP POINT, 60.4k PER CELL FOR 1.8V/CELL

Ground Referenced Current Source



1004 TA04

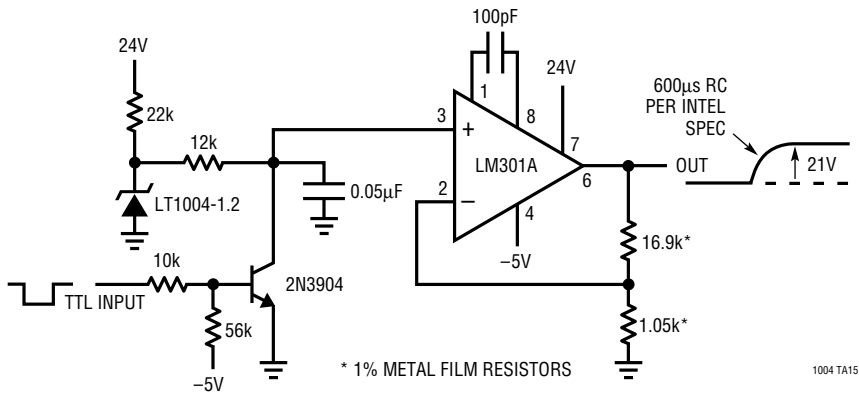
$$I_{OUT} = \frac{1.235}{R}$$

$$R = \frac{2V}{I_{OUT} + 10\mu A}$$

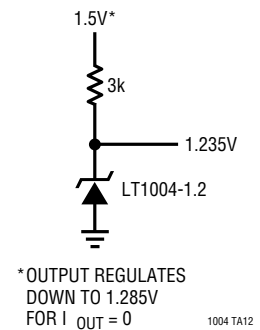
* MAY BE INCREASED FOR SMALL OUTPUT CURRENTS

TYPICAL APPLICATIONS

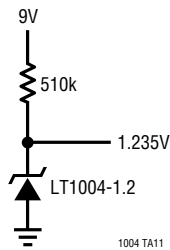
VPP Generator for Eeproms — No Trim Required



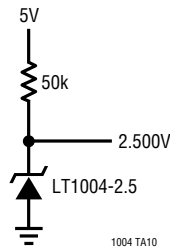
1.2V Reference from 1.5V Battery



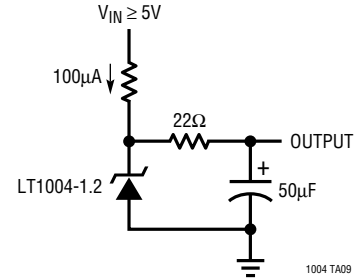
Micropower Reference from 9V Battery



2.5V Reference

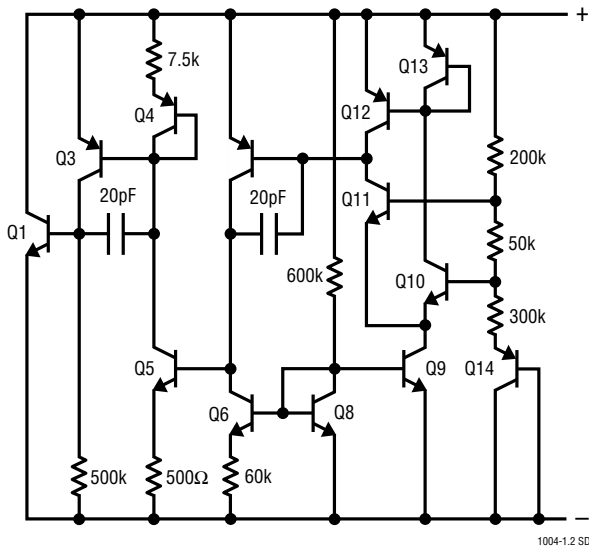


Low Noise Reference

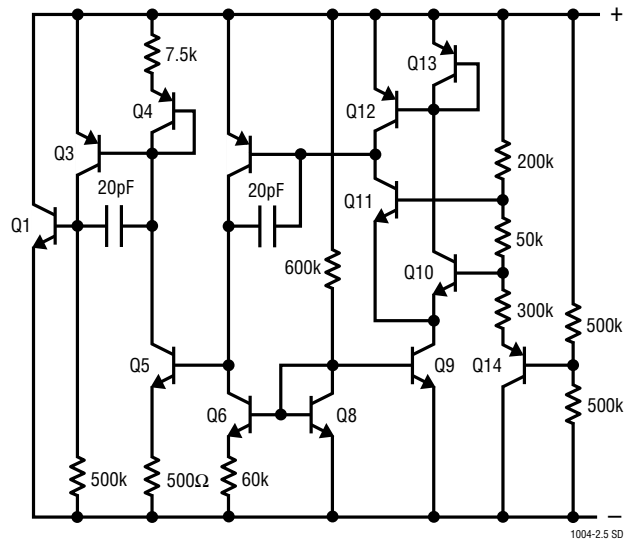


SCHEMATIC DIAGRAMS

LT1004-1.2

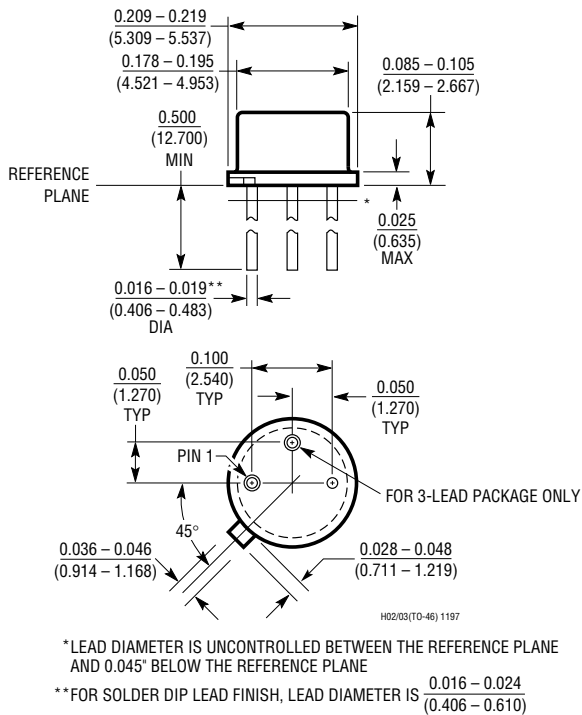


LT1004-2.5

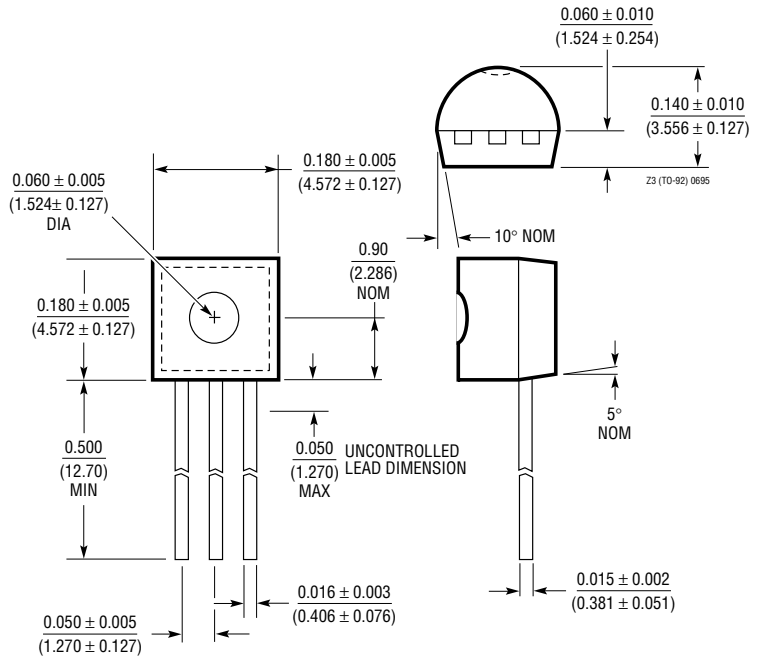


PACKAGE DESCRIPTION Dimensions in inches (millimeters) unless otherwise noted.

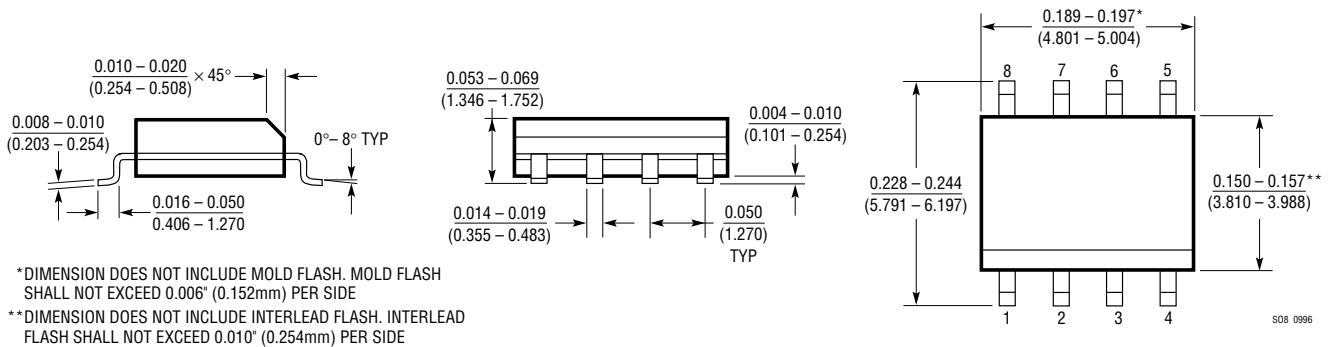
H Package
2-Lead and 3-Lead TO-46 Metal Can
 (LTC DWG # 05-08-1340)



Z Package
3-Lead Plastic TO-92 (Similar to TO-226)
 (LTC DWG # 05-08-1410)

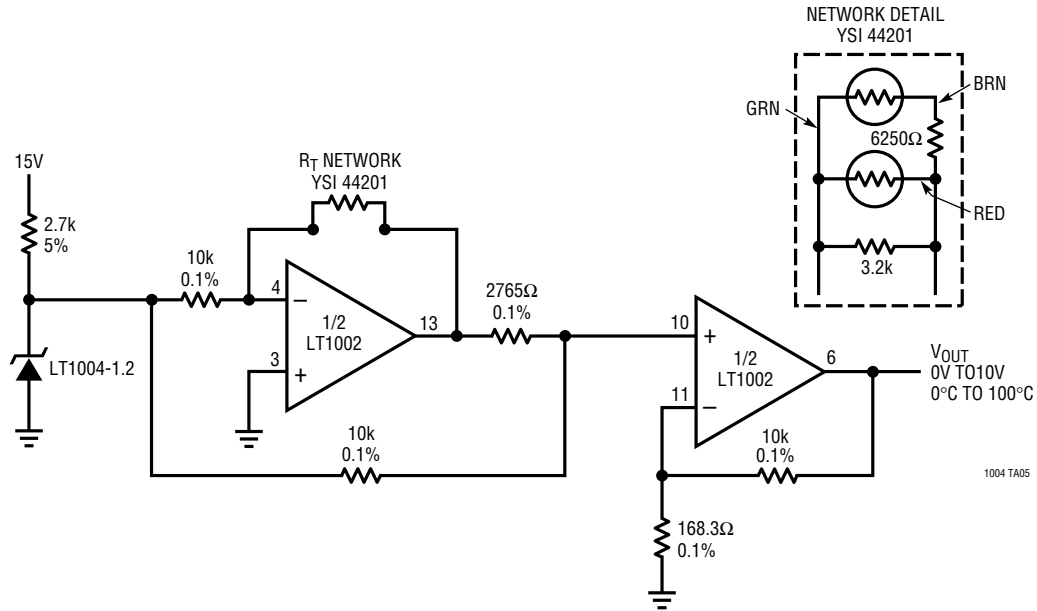


S8 Package
8-Lead Plastic Small Outline (Narrow 0.150)
 (LTC DWG # 05-08-1610)

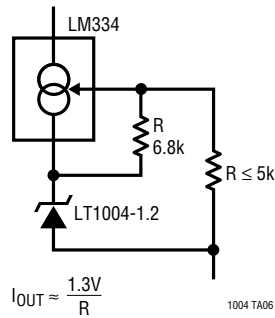


TYPICAL APPLICATIONS

0°C to 100°C Linear Output Thermometer



Low Temperature Coefficient 2-Terminal Current Source



RELATED PARTS

PART NUMBER	DESCRIPTION	COMMENTS
LT1634	Micropower Precision Shunt Reference	10µA Operating Current, 10ppm/°C Maximum Drift, 0.05% Initial Accuracy
LT1460S3-2.5	Micropower Series Reference in SOT-23	100µA Operating Current, 20ppm/°C Maximum Drift, 0.2% Initial Accuracy