

SMD

Rated inductance 10 to 1000 μ H
Rated current 300 to 3800 mA

**Construction**

- Ferrite core
- Winding: enamel copper wire
- Plastic terminal carrier
- Winding soldered to terminals

Features

- Very high rated current
- Low dc resistance
- Suitable for reflow soldering (IR and vapor phase)

Applications

- Filtering of supply voltages
- Coupling / decoupling
- DC/DC converters
- Automotive electronics

Terminals

- Tinned Sn/Pb

Marking

Color coding based on IEC 60062

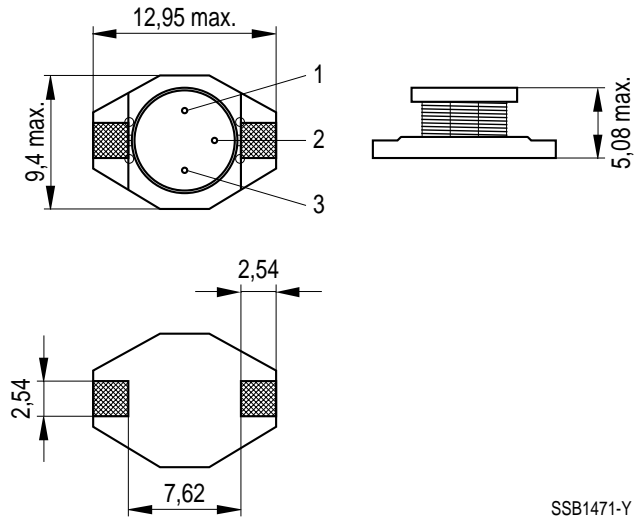
Delivery mode

24-mm blister tape, reel packing

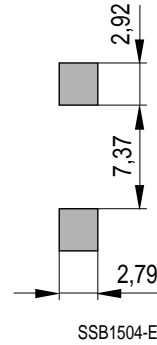
For details on taping, packing and packing units [see page 155](#)

SMD

Dimensional drawing



Layout recommendation



Marking

- 1 = 1st digit of inductance value
- 2 = 2nd digit of inductance value
- 3 = multiplier, i. e. multiplies the first two digits by the power of ten (standard unit μH)

Color code	1st dot = 1st digit	2nd dot = 2nd digit	3rd dot = multiplier
Gold			$\times 10^{-1} = 0,1$
Black		0	$\times 10^0 = 1$
Brown	1	1	$\times 10^1 = 10$
Red	2	2	$\times 10^2 = 100$
Orange	3	3	$\times 10^3 = 1000$
Yellow	4	4	
Green	5	5	
Blue	6	6	
Violet		7	
Grey		8	

Example:

1st dot	2nd dot	3rd dot	Coding
Blue 6	Grey 8	Brown $\times 10$	$= 68 \times 10 \mu\text{H} = 680 \mu\text{H}$

SMD
General technical data

Rated inductance L_R	Measured with HP 4194A at 100 kHz, measuring current ≤ 1 mA
Rated current I_R	Maximum permissible dc with inductance decrease $\Delta L/L_0 \approx 10$ % and temperature increase of ≤ 40 K at rated temperature of 85°C
DC resistance R_{\max}	Measured at 20°C ambient temperature
Climatic category	In accordance with IEC 60068-1 40/085/56 ($-40^\circ\text{C}/+85^\circ\text{C}/56$ days damp heat test)
Solderability	5 s, 235°C , wetting >90 %
Weight	Approx. 2 g

Characteristics and ordering codes

L_R μH	Toler- ance	I_R mA	R_{\max} Ω	Ordering code
10	± 20 % $\triangleq M$	3800	0,025	B82476-A1103-M
15		3000	0,040	B82476-A1153-M
22		2600	0,050	B82476-A1223-M
33		2000	0,088	B82476-A1333-M
47		1600	0,12	B82476-A1473-M
68		1400	0,16	B82476-A1683-M
100		1200	0,23	B82476-A1104-M
150		1000	0,33	B82476-A1154-M
220		800	0,53	B82476-A1224-M
330		600	0,81	B82476-A1334-M
470	500	1,10	B82476-A1474-M	
680	400	1,60	B82476-A1684-M	
1000	300	2,15	B82476-A1105-M	