



Rated inductance 10 μ H .. 680 μ H

Construction

- Ferrite core
- Winding: enamel copper wire
- Winding soldered to terminals
- Plastic terminal carrier

Features

- High rated current
- Low DC resistance
- Suitable for reflow soldering

Applications

- Filtering of supply voltages
- Coupling / decoupling
- DC/DC converters
- Automotive electronics

Terminals

- Tinned

Marking

Marking on component:
Manufacturer, L value (in μ H), date code

Minimum marking on reel:
Manufacturer, part number, ordering code,
L value and tolerance
quantity, date of packing

Delivery mode

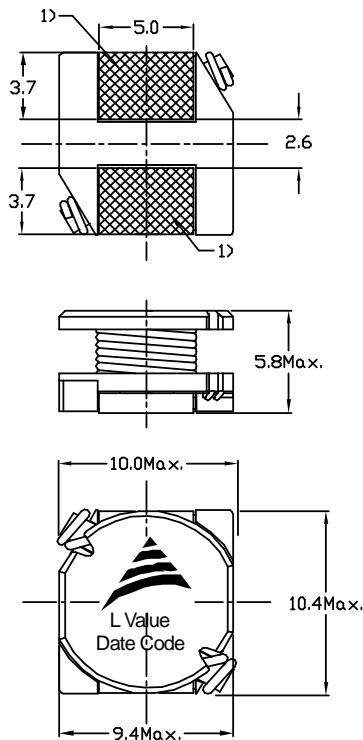
24–mm blister tape , reel packing
packaging quantity 500pcs/reel

SMD

General technical data

| | |
|------------------------------|--|
| Rated inductance L_R | Measured with HP 4284A , measuring voltage 100 mV |
| Rated current I_R | Maximum permissible DC with temperature increase of ≤ 40 K at ambient temperature of 85 °C |
| Saturation current I_{sat} | Maximum permissible DC with inductance decrease $\Delta L/L_0 \approx 10\%$ |
| Climatic category | In accordance with IEC 60068-1 55/125/56 (-55 °C/ +125 °C/ 56 days damp heat test) |
| Solderability | 5s, 235°C, wetting > 90% |
| DC resistance R_{max} | Measured at 20 °C ambient temperature |
| Weight | Approx. 1,5g |

Dimensional drawing and layout recommendation



1) Soldering area


Characteristics and ordering codes

| L_R μH | f_L MHz | Tolerance | I_R A | I_{Sat} A | R_{max} Ω | Ordering code |
|------------------------|--------------|-----------|------------|-----------------------|------------------------------|----------------|
| 10 | 0,1 | 20 % | 2,60 | 2,75 | 0,06 | B82475-A1103-M |
| 15 | 0,1 | 20 % | 2,27 | 2,35 | 0,08 | B82475-A1153-M |
| 22 | 0,1 | 20 % | 1,95 | 2,00 | 0,10 | B82475-A1223-M |
| 33 | 0,1 | 20 % | 1,50 | 1,60 | 0,12 | B82475-A1333-M |
| 47 | 0,1 | 10 % | 1,28 | 1,35 | 0,17 | B82475-A1473-K |
| 68 | 0,1 | 10 % | 1,11 | 1,20 | 0,22 | B82475-A1683-K |
| 100 | 0,1 | 10 % | 0,97 | 1,00 | 0,35 | B82475-A1104-K |
| 150 | 0,1 | 10 % | 0,78 | 0,82 | 0,47 | B82475-A1154-K |
| 220 | 0,1 | 10 % | 0,66 | 0,70 | 0,73 | B82475-A1224-K |
| 330 | 0,1 | 10 % | 0,52 | 0,55 | 1,15 | B82475-A1334-K |
| 470 | 0,1 | 10 % | 0,42 | 0,45 | 1,48 | B82475-A1474-K |
| 680 | 0,1 | 10 % | 0,28 | 0,30 | 2,25 | B82475-A1684-K |