

Quad Chokes

Rated voltage 42 Vac/80 Vdc
Rated current 0,2 to 0,3 A
Rated inductance 4,7 to 10 mH

Construction

- Current-compensated ring core quad choke with ferrite core
- Plastic case

Features

- Case flame-retardant as per UL 94 V-0
- Suitable for automatic insertion

Applications

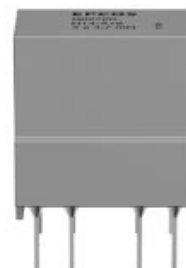
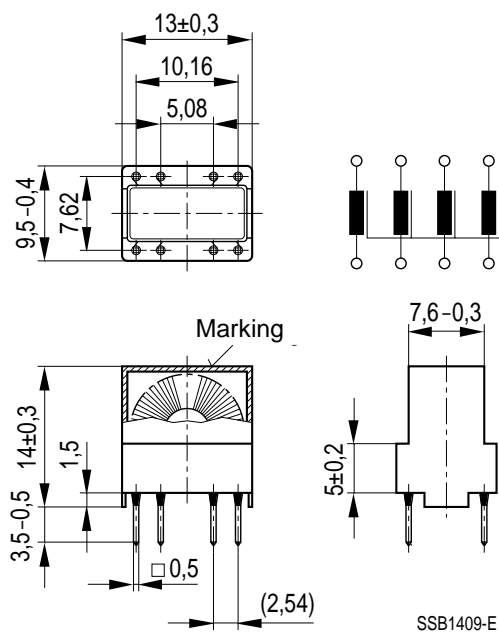
- Telecom switching systems
- Terminal systems
- Measuring and control lines

Terminals

- Pins fitting standard PCB grid

Marking

Ordering code, rated inductance, manufacturer, date of manufacture (month, year)

Dimensional drawing


Quad Chokes
General technical data

| | |
|------------------------------------|---|
| Rated voltage V_R | 42 Vac (50/60 Hz) 80 Vdc |
| Rated current I_R | Referred to 50 Hz and 60 °C ambient temperature |
| Rated inductance L_R | Measured with HP 4275A at 10 kHz and 0,1 mA (specified per winding) |
| Inductance tolerance | - 30 %/+ 50 % |
| Inductance decrease $\Delta L/L_0$ | < 10 % at dc magnetic bias with I_R |
| Stray inductance L_S | Measured at 10 kHz and 5 mA |
| DC resistance R_{typ} | Typical values, measured at 20 °C ambient temperature |
| Climatic category | 40/125/56 (- 40 °C/+ 125 °C/56 days damp heat test) in accordance with IEC 60068-1 |
| Weight | Approx. 2 g |

Characteristics and ordering codes

| L_R mH | $L_{S, typ}$ μ H | I_R mA | R_{typ} Ω | V_T Vdc, 2 s | Ordering code |
|-------------|-------------------------|-------------|-----------------------|-------------------|----------------|
| 4,7 | 0,9 | 300 | 0,9 | 750 | B82720-H14-A16 |
| 10 | 1,1 | 200 | 1,3 | 750 | B82720-H14-A25 |

**Impedance $|Z|$
versus frequency f**
