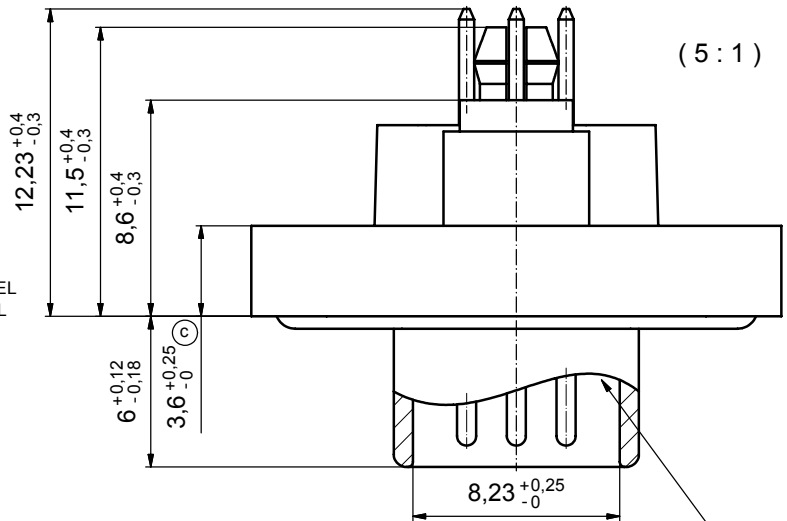


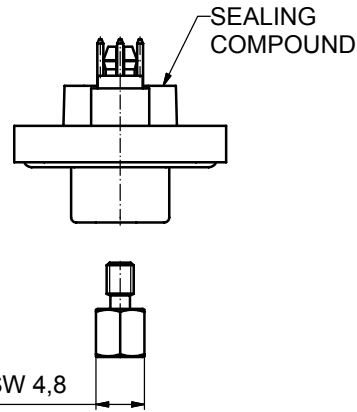
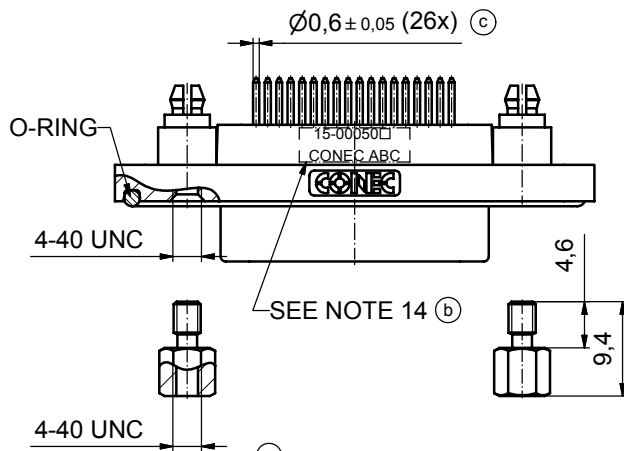
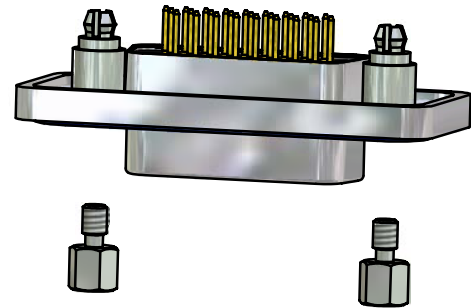
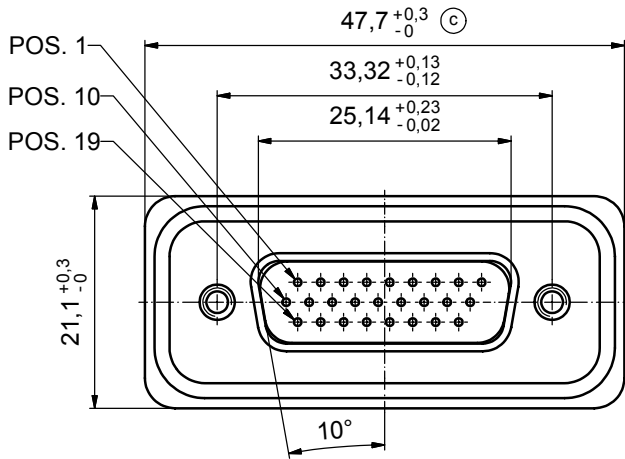
(b) (c)

NOTES:

- FOR WAVESOLDERING (SOLDER BATH TEMPERATURE 265°C FOR 8 SEC. AND SOLDER PREHEAT 150°C FOR 180 SEC.)
- IP RATING: IP 67
- SEALED TO WITHSTAND PRESSURE UP TO 1,45 PSI FOR 30 MINUTES AFTER HIGH TEMPERATURE EXPOSURE
- METALSHELL: ZINC DIE CAST; min. 50µin NICKEL PLATING over COPPER
- INSULATORS: PBT GF UL 94 V-0, BLACK
- O-RING: SILICONE PER ASTM D2000 70 SHORE A
- RUBBER GASKET: TPE
- SEALING COMPOUND: EPOXY RESIN UL 94 V-0; BLACK
- CONTACTS: COPPER ALLOY PLATING (SEE PART NO):  
 PLEASE ADD 1 for 30µin HARD GOLD over min. 50µin NICKEL  
 PLEASE ADD 3 for 8µin HARD GOLD over min. 50µin NICKEL
- REAR SPACER CLIPS: COPPER ALLOY; min. 200µin TIN over 80µin NICKEL  
PCB-HOLE:  $\varnothing 3,1 \pm 0,1$ ; PCB THICKNESS 1,6mm
- HEXLOCKING SCREWS: STAINLESS STEEL
- PCB-HOLE DRILLINGS and RECOMMENDED PANEL CUT-OUT ON SHEET 2
- RECOMMENDED TORQUE FOR MOUNTING SCREW 35Ncm (3.1 in.LB) / max.67Ncm (6 in.LB)
- CONNECTOR IS PART MARKED: 15-00050 CONEC ABC



RUBBER GASKET PLACED ON TOP SURFACE OF MALE INSULATOR



AT ALL TIMES WATER RESISTANT CONNECTORS NOT IN USE SHOULD BE COVERED WITH A CONEC WATER RESISTANT CAP OR WATER TIGHT HOOD.

Directive 2002/95/EC  
„RoHS“  
Compliant

APPROVAL # FREIGABE # DEBLOCAGE # AUTORIZACION # APPROVAL	
CUSTOMER APPROVAL DATE:	
NAME:	TITLE:
COMPANY NAME:	
APPROVAL # FREIGABE # DEBLOCAGE # AUTORIZACION # APPROVAL	

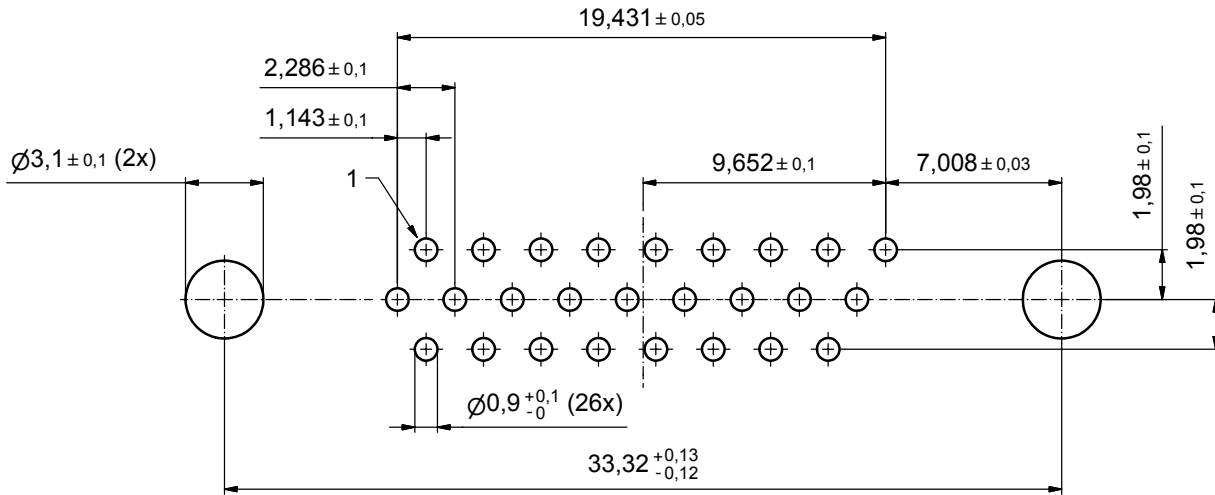
THIS DRAWING MAY NOT BE COPIED OR REPRODUCED IN ANY WAY, AND MAY NOT BE PASSED ON TO A THIRD PARTY WITHOUT WRITTEN PERMISSION. OWNERSHIP AND COPYRIGHT OF CONEC GmbH DO NOT ALTER CAD DRAWING BY HAND			
5 x c	Ä 3435	23.09.09	HS
3 x b	Ä 3129	26.09.08	HS
a	Origin		
rev.	description	date	name

tolerance		dim. in mm	
date	name		
drawn 09.09.08	Schmidt		
appd. 15.09.08	Fischer		
norm			
d-old			

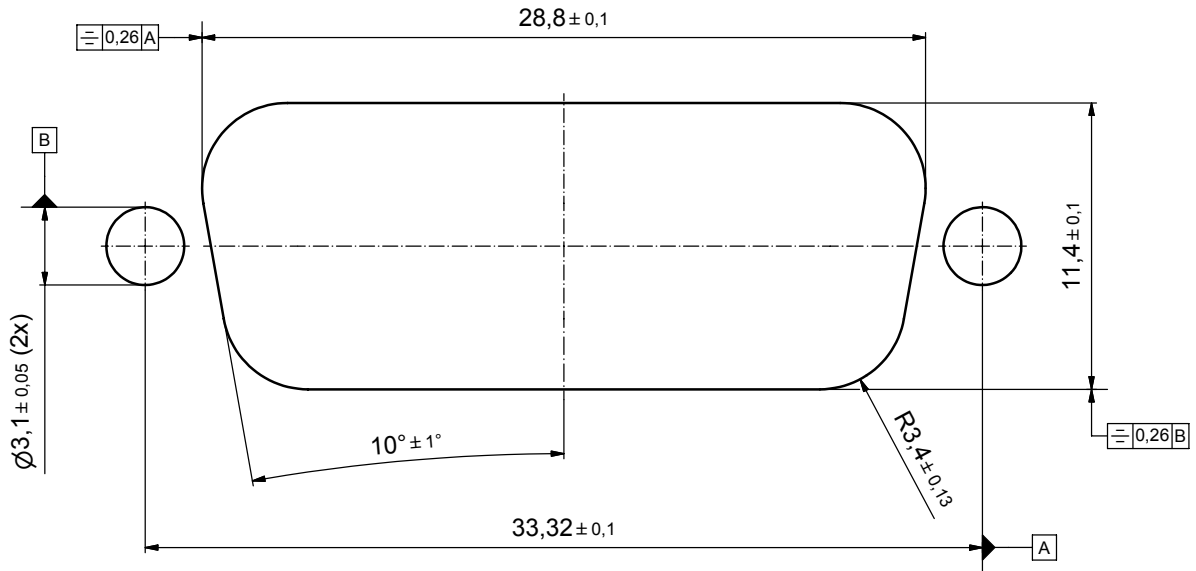
scale:	2:1 (5:1)	
material:	see notes	
title:		
D-SUB MALE HD		
26pos. SOLDER PIN STRAIGHT		
with rear spacer clip and hexlocking screw		
dwg no:	Inventor 10	DIN-A3
	15K1A265	sh: 1
part no:	15-00050 (see note 9) (b)	



# P.C.B. HOLE DRILLINGS



# RECOMMENDED PANEL CUT-OUT (b)



APPROVAL # FREIGABE # DEBLOCAGE # AUTORIZACION # APPROVAL	
CUSTOMER APPROVAL DATE:	
NAME:	TITLE:
COMPANY NAME:	
APPROVAL # FREIGABE # DEBLOCAGE # AUTORIZACION # APPROVAL	

THIS DRAWING MAY NOT BE COPIED OR REPRODUCED IN ANY WAY, AND MAY NOT BE PASSED ON TO A THIRD PARTY WITHOUT WRITTEN PERMISSION. OWNERSHIP AND COPYRIGHT OF CONEC GmbH. DO NOT ALTER CAD DRAWING BY HAND.

1 x b	Ä 3129	26.09.08	HS
a	Origin		
rev.	description	date	name

tolerance		dim. in mm
date	name	
drawn	09.09.08	Schmidt
appd.	15.09.08	Fischer
norm		
d-old		

**CONEC**

scale:	5:1	
material:	see sheet 1	
title:		
P.C.B. HOLE DRILLINGS		
PANEL CUT-OUT		
D-SUB Male 26pos HD Solder pin straight		
dwg no:	Inventor 10	DIN-A3
	15K1A265	sh: 2
part no:	see sheet 1	