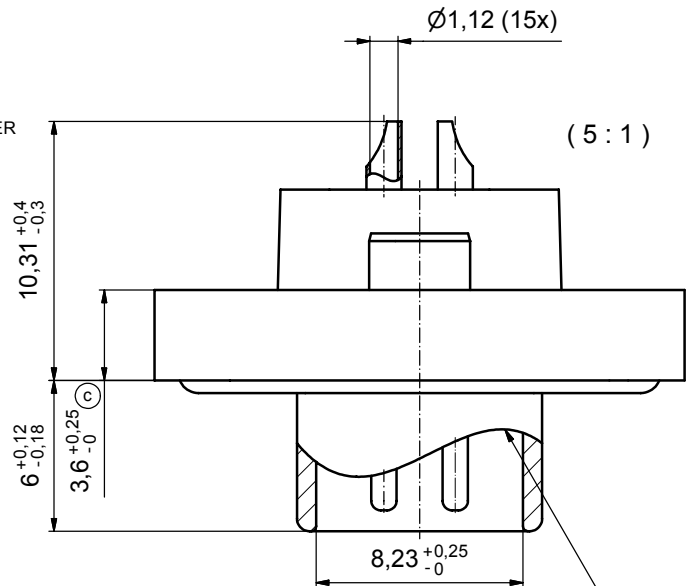


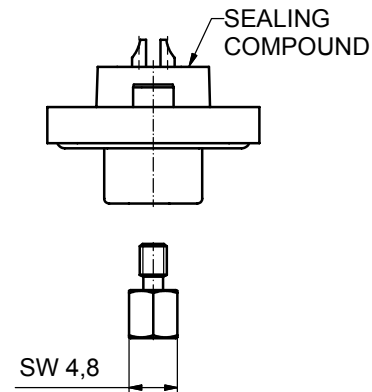
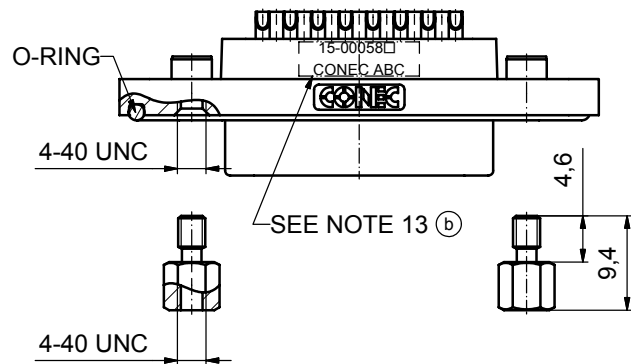
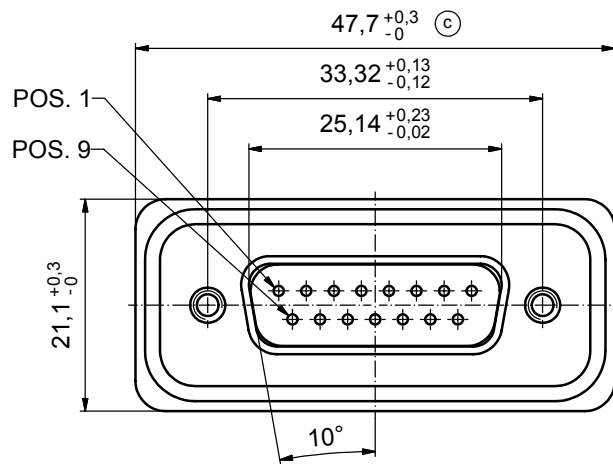
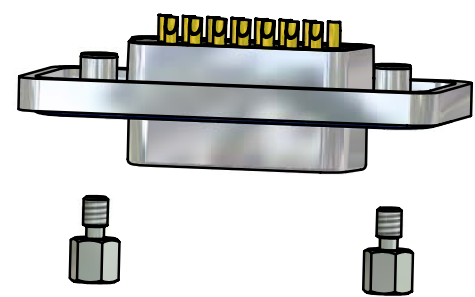
(b)

NOTES:

- 1. RECOMMENDED SOLDER INSTRUCTION SEE SHEET 2
- 2. IP RATING: IP 67
- 3. SEALED TO WITHSTAND PRESSURE UP TO 1,45 PSI FOR 30 MINUTES AFTER SOLDERING
- 4. METALSHELL: ZINC DIE CAST; min. 50µin NICKEL PLATING over COPPER
- 5. INSULATORS: PBT GF UL 94 V-0, BLACK
- 6. O-RING: SILICONE PER ASTM D2000 70 SHORE A
- 7. RUBBER GASKET: TPE
- 8. SEALING COMPOUND: EPOXY RESIN UL 94 V-0; BLACK
- 9. CONTACTS: COPPER ALLOY
PLATING (SEE PART NO):
□ PLEASE ADD 1 for 30µin HARD GOLD over min. 50µin NICKEL
□ PLEASE ADD 3 for 8µin HARD GOLD over min. 50µin NICKEL
SOLDER CUP ACCEPTS CABLE AWG 20
- 10. HEXLOCKING SCREWS: STAINLESS STEEL
- 11. RECOMMENDED PANEL CUT-OUT ON SHEET 2
- 12. RECOMMENDED TORQUE FOR MOUNTING SCREW
35Ncm (3.1 in.LB) / max.67Ncm (6 in.LB)
- 13. CONNECTOR IS PART MARKED: 15-00058 □ CONEC ABC



RUBBER GASKET PLACED ON TOP SURFACE OF MALE INSULATOR



(c)

AT ALL TIMES WATER RESISTANT CONNECTORS NOT IN USE SHOULD BE COVERED WITH A CONEC WATER RESISTANT CAP OR WATER TIGHT HOOD.

Directive 2002/95/EC "RoHS" Compliant

APPROVAL # FREIGABE # DEBLOCAGE # AUTORIZACION # APPROVAL	
CUSTOMER APPROVAL DATE:	
NAME:	TITLE:
COMPANY NAME:	
APPROVAL # FREIGABE # DEBLOCAGE # AUTORIZACION # APPROVAL	

THIS DRAWING MAY NOT BE COPIED OR REPRODUCED IN ANY WAY, AND MAY NOT BE PASSED ON TO A THIRD PARTY WITHOUT WRITTEN PERMISSION. OWNERSHIP AND COPYRIGHT OF CONEC GmbH DO NOT ALTER CAD DRAWING BY HAND			
3 x c	Ä 3435	29.09.09	HS
3 x b	Ä 3129	26.09.08	HS
a	Origin		
rev.	description	date	name

tolerance		dim. in mm
date	name	
drawn	03.09.08	Schmidt
appd.	15.09.08	Fischer
norm		
d-old		

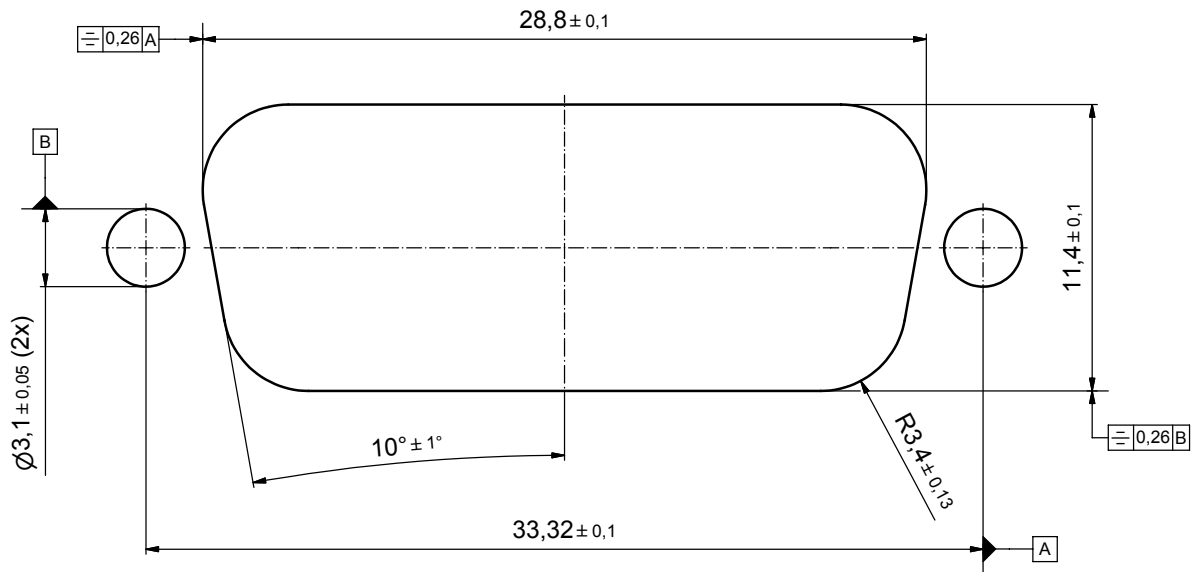
scale:	2:1 (5:1)	
material:	see notes	
title:		
D-SUB MALE		
15pos. SOLDER CUP		
with hexlocking screw		
dwg no:	Inventor 10	DIN-A3
	15K1A261	sh: 1
part no:	15-00058 □ (see note 9) (b)	



ⓑ
Solder Instruction

1. Cable should be prepared for soldering. The cable/wires must be pretinned.
2. Insert cable/wire into solder cup.
3. Operate the soldering iron at 350°C, 50 Watt max. and use a pencil tip.
4. Put tip to wire in solder cup.
5. After 1 second bring in solder.
6. Heat for 3 seconds longer. Do not heat contact more than 4 seconds in total.
7. Remove soldering iron.
8. Wait until solder gets rigid again.
9. Do not solder adjacent contacts consecutively,
alternate position within the connector to minimize heat build up.

RECOMMENDED PANEL CUT-OUT ⓑ



APPROVAL # FREIGABE # DEBLOCAGE # AUTORIZACION # APPROVAL		tolerance		scale: 5:1	
CUSTOMER APPROVAL DATE:		date		material: see sheet 1	
NAME: TITLE:		name		title:	
COMPANY NAME:		drawn 03.09.08 Schmidt		PANEL CUT-OUT	
		appd. 15.09.08 Fischer		D-SUB MALE 15pos. SOLDER CUP	
		norm		with hexlocking screw	
		d-old		dwg no: Inventor 10	
2 x b		Ä 3129		DIN-A3	
a		Origin		sh: 2	
rev.		description		part no: see sheet 1	
date		name			

THIS DRAWING MAY NOT BE COPIED OR REPRODUCED IN ANY WAY, AND MAY NOT BE PASSED ON TO A THIRD PARTY WITHOUT WRITTEN PERMISSION. OWNERSHIP AND COPYRIGHT OF CONEC GmbH. DO NOT ALTER CAD DRAWING BY HAND.

