

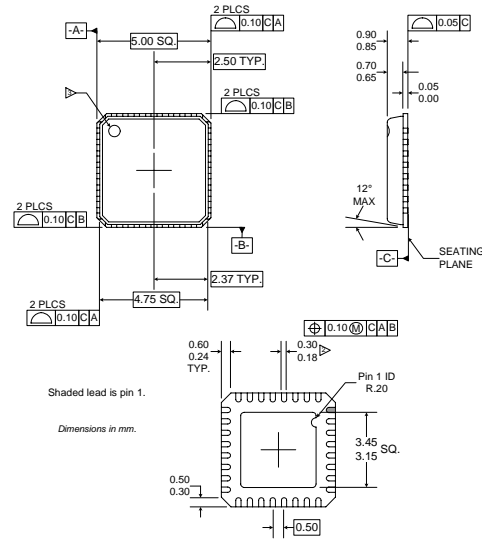
RoHS Compliant & Pb-Free Product

Typical Applications

- EGSM/DCS Handsets
- EGSM/DCS/PCS Handsets
- GSM850/PCS Handsets
- GSM850/EGSM/DCS/PCS Handsets

Product Description

The RF2722 is a highly-integrated receiver IC supporting GSM, GPRS, and EDGE cellular standards in the GSM850, EGSM, DCS, and PCS bands. The RF2722 supports both very-low intermediate frequency (VLIF) as well as direct conversion receive (DCR) architectures, reducing external component count and eliminating the need for IF SAW and RF interstage filters without compromising performance. The IC includes: four LNA's for multi-band support; an integrated voltage controlled oscillator (VCO); automatic gain control (AGC); a quadrature downconverting mixer; and, low and high band transmit buffers. Chip functionality, including IF AGC setting, is controlled through a three-wire serial data interface (SDI). The RF2722 is part of the POLARIS™ TOTAL RADIO™ solution.



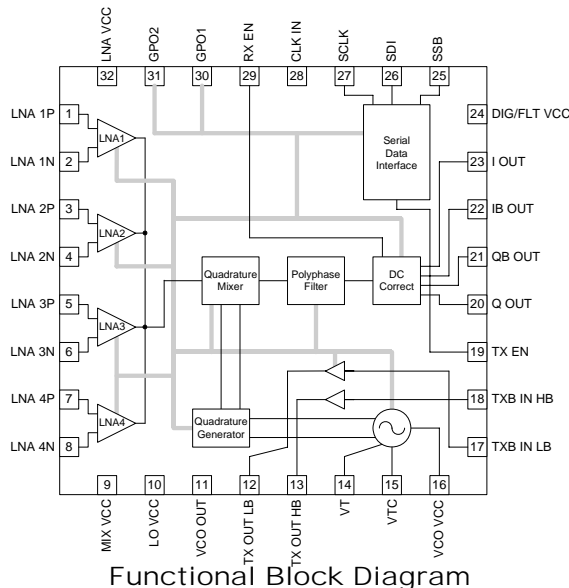
Package Style: QFN, 32-Pin, 5x5

Optimum Technology Matching® Applied

- | | | |
|-------------------------------------|-----------------------------------|--|
| <input type="checkbox"/> Si BJT | <input type="checkbox"/> GaAs HBT | <input type="checkbox"/> GaAs MESFET |
| <input type="checkbox"/> Si Bi-CMOS | <input type="checkbox"/> SiGe HBT | <input type="checkbox"/> Si CMOS |
| <input type="checkbox"/> InGaP/HBT | <input type="checkbox"/> GaN HEMT | <input checked="" type="checkbox"/> SiGe Bi-CMOS |

Features

- GSM850, EGSM, DCS & PCS Operation
- Supports Both VLIF & DCR Modes
- Integrated RF VCO
- Integrated LNA's Support up to Four RF Bands
- EDGE Receive Compatible



Functional Block Diagram

Ordering Information

RF2722 GSM/GPRS/EDGE Receiver
RF2722PCBA-41X Fully Assembled Evaluation Board

RF Micro Devices, Inc.
7628 Thorndike Road
Greensboro, NC 27409, USA

Tel (336) 664 1233
Fax (336) 664 0454
<http://www.rfmd.com>

RF2722

Proposed

*Please contact
RF Micro Devices
Applications Engineering
at (336) 678-5570
for more information.*