

AVxx08 Series

DATA SHEET

APLUS INTEGRATED CIRCUITS INC.

Address:

3 F-10, No. 32, Sec. 1, Chenggung Rd., Taipei,
Taiwan 115, R.O.C.
(115)台北市南港區成功路一段 32 號 3 樓之 10.

TEL: 886-2-2782-9266

FAX: 886-2-2782-9255

WEBSITE : <http://www.aplusinc.com.tw>

Sales E-mail:

sales@aplusinc.com.tw

Technology E-mail:

service@aplusinc.com.tw

1. GENERAL DESCRIPTION:

The **AVH308** , **AV0708** , **AV1408** and **AV2108** are single-chip voice synthesizing CMOS IC. They are low cost with proper functions and can synthesize voice up to 3.5, 7, 14 and 21 seconds, using Aplus 4-bit LOGPCM algorithm. Customer speech data can be programmed into ROM by changing one mask during the device fabrication. Besides, not only a very flexible functions I/O pin is available for the user to apply in various applications, but also an interactive development tool “EzSpeech” is ready for user-friendly programming.

2. FEATURES:

- (1). Single power supply can operate from 2.4V to 6.4V (in this range, user can set Rosc as a fixed value).
- (2). The total voice duration is about 3.5, 7, 14 or 21 seconds those can be partitioned up to 8 voice_sections. Each voice_section length is flexible.
- (3). Voice length can be individually up to 3.5, 7, 14 or 21 seconds at 6kHz S.R. for each voice_section. Voice+mute length can be individually up to 11, 21, 21 or 21 seconds at 6kHz sample rate for each voice_section.
- (4). Total 16 voice_steps are available for 2 sub_tables. Each sub_table can only use maximum 8 voice_steps. For each voice_step, it can specify one voice_section and IO1 output enable options if IO1 is set as an output.
- (5). Build in oscillator, 15 kinds of playback speed option for internal resistor used : (4.0k ~ 18.1kHz)

A	B	C	D	E	F	G	H
18.1kHz	14.4kHz	12.0kHz	10.3kHz	9.0kHz	8.0kHz	7.2kHz	6.6kHz
I	J	K	L	M	N	O	-
6.0kHz	5.6kHz	5.2kHz	4.8kHz	4.5kHz	4.3kHz	4.0kHz	-

<Internal oscillator: OSC pad must be bonded to GND>

- (6). IO1 can be either input or output pin (Mask option).
- (7). Optional “Two Triggers Input” (TG and IO1), or “One Trigger Input” (TG pin only).
 - (A). Each input pin has mask options for Edge/Level, Hold/Unhold and Retrigger/Irritrigger trigger modes.
 - (B). TG input can choose CDS+1M 、 CDS 、 1M pull-low 、 10M pull low or floating input type.
 - (C). IO1 input can choose CDS+1M 、 CDS 、 1M pull-low or floating input type.
 - (D). Debounce time: Long debounce for push buttons. Short debounce for switches. (※ In Two Triggers Input Mode, only one kind of debounce time is available.)
 - (E). Priority : TG > IO1.
- (8). IO1 has the following output option A~F :
 - (A). Stop_High pulse : high active stop pulse output whenever device stop playing.
 - (B). Busy_High active : high active signal output during playing.

- (C). Busy_Low active : low active signal output during playing.
- (D). LED 3Hz flash : 3Hz sink signal output for driving LED during playing at 6kHz sample rate.
- (E). LED 6Hz flash : 6Hz sink signal output for driving LED during playing at 6kHz sample rate.
- (F). LED dynamic 2/4 : dynamic sink signal output for driving LED during playing.

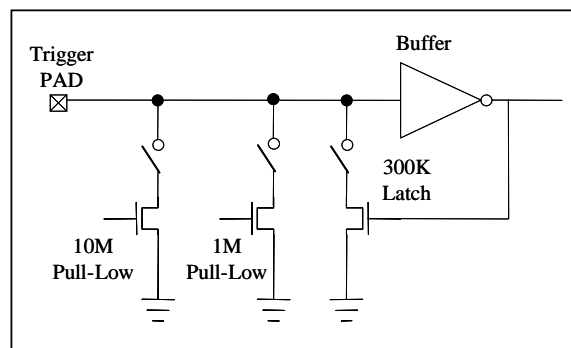
※ Where (D) and (E) is the LED flash rate at 6kHz sample rate. For different sample rate, the LED flash rate is different from original 3Hz or 6Hz.

- (9). PWM1 and PWM2 can directly drive buzzer or 8, 16, 32 or 64 ohms speaker.
- (10). The voice_section length of “voice length + mute length” must be the multiple of 80Hex (**AVH308**) or 100Hex (**AV0708**, **AV1408**, **AV2108**).
- (11). In voice_section sequence arrangement (00~07), If there are some voice_sections with only mute and without voice, they should be put next to the last voice_section with voice. Besides, that is not allowed to put a pure mute voice_section between 2 voice_sections with voice, or put the pure mute voice_section on first place (00).
- (12). Oscillator selection:
 - (A). External oscillator: Connect OSC pin to Vdd with a resistor, Rosc.
 - (B). Internal oscillator: Connect OSC pin to GND. *(Not suggested because of frequency shift and system stability)*

※Input Type Description:

Option	Description
CDS + 1M	Normal selection for button trigger. Only 1M pull-low resistance when key-pressed, and 1M+300K(parallel) pull-low resistance when key-released.
CDS	Internal 300K ohms pull-low resistance, usually for photo-resistor trigger.
1M pull-low	Internal 1M ohms pull-low resistance, reserve for some special applications.
10M pull-low	Internal 10M ohms weak pull-low, usually for touching trigger.
Floating	No internal resistor connection, usually connected to other output pin or connected to GND by an external resistor.

* 10M pull-low option is not available for IO1 input.



1. 一般規格:

AVH308、**AV0708**、**AV1408**、**AV2108**，皆為單晶片 CMOS 語音合成 IC，他們都是非常低成本，同時具有相當實用功能的語音 IC 產品。他們以 4-bit LOGPCM 編碼方式，合成長達 3.5、7、14、21 秒之語音。藉由製造過程中更換光罩，將客戶需要之語音資料編寫入 ROM 中。另外使用者可以有一個很彈性的 IO pin 選擇 (IO1)，來配合不同之應用，並可用佑華所提供的 EzSpeech 工具軟體來進行開發。

2. 特性:

- (1). 單一工作電壓範圍為 2.4 ~ 6.4 伏特(在此範圍內，可採用單一 R_{osc} 電阻值)。
- (2). 語音總長度可達 3.5、7、14、21 秒，且可被分割成 8 個語音段(voice_section)，每段長度可不同。
- (3). 每一段語音的長度分別最多可達 3.5、7、14、21 秒。(在 6kHz 取樣頻率下)
每一段“語音+靜音時間”的長度，分別最多可達 11、21、21、21 秒。(在 6kHz 取樣頻率下)
- (4). 共有 16 個語音格(voice_step)，可規劃成 2 個語音組(sub_table)，每個語音組最多可放 8 個語音格。每一語音格可指定一語音段並搭配 IO1 輸出致能或非致能(IO1 當作輸出時)。
- (5). 內建頻率振盪器，共有 15 種不同播放速度的選擇(playback speed: 4.0k ~ 18.1kHz)：

A	B	C	D	E	F	G	H
18.1kHz	14.4kHz	12.0kHz	10.3kHz	9.0kHz	8.0kHz	7.2kHz	6.6kHz
I	J	K	L	M	N	O	-
6.0kHz	5.6kHz	5.2kHz	4.8kHz	4.5kHz	4.3kHz	4.0kHz	-

<如果選擇內建的頻率振盪器，請將 OSC 腳接地。>

- (6). IO1 可選擇作輸入腳或是輸出腳 (光罩選擇)。
- (7). 可選擇“兩鍵觸發輸入模式”(TG 和 IO1) 或“單鍵 TG 觸發輸入模式”(IO1 當作輸出時)。
 - (A). 每一種輸入可選擇不同觸發方式 (光罩選擇)：
 - 邊緣觸發 / 位準觸發(Edge/Level)；保持 / 非保持(Hold/Unhold)；
 - 後段蓋前段 / 非後段蓋前段(Retrigger/Irretrigger)。
 - (B). TG 輸入可選擇 CDS+1M、CDS、1M pull-low、10M weak-pull low 或 floating 的輸入方式。
 - (C). IO1 輸入可選擇 CDS+1M、CDS、1M pull-low 或 floating 的輸入方式。
 - (D). 防止誤動作(Debounce)時間：Long - 提供一般手動操作；Short - 提供跳動開關使用。
(※ 在“兩鍵觸發輸入模式”只能選用一種 Debounce 時間。)
 - (E). 優先順序：TG > IO1。
- (8). IO1 可做以下 6 種輸出選擇：
 - (A). Stop_High pulse：停止播放時送出高位準脈衝。
 - (B). Busy_High active：播放時送出高位準訊號。
 - (C). Busy_Low active：播放時送出低位準訊號。
 - (D). LED 3Hz flash：播放時 LED 3Hz 閃爍。(當播放速度為 6kHz 時)

(E). LED 6Hz flash : 播放時 LED 6Hz 閃爍。(當播放速度為 6kHz 時)

(F). LED dynamic 2/4 : 播放時 LED動態 2/4位準訊號。

(※ LED 3Hz / 6Hz flash 是指以 6kHz 的播放速度時，LED閃爍的頻率；不同的播放速度，LED閃爍的頻率也會不同。)

(9). PWM1, PWM2 可直接驅動 buzzer 或 8、16、32、64Ω speaker。

(10). 每一段語音加上靜音的語音段長度會是 80 HEX (AVH308)、或 100 HEX (AV0708, AV1408, AV2108) 的整數倍。

(11). 在語音段的排列順序上(00~07)，如果遇到有純粹靜音的語音段(不佔 ROM 空間)，一定要把它放在有語音的語音段之後，也不可以將它放在兩個有語音的語音段之間 或 放在第一段(00)。

(12). 選擇頻率振盪器：

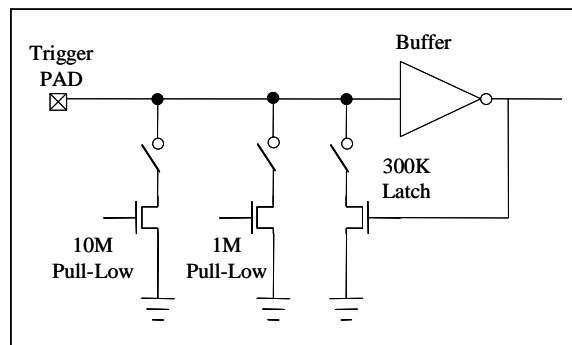
(A). 選擇外部電阻可調式頻率振盪器：將 OSC 外接電阻到正電源。

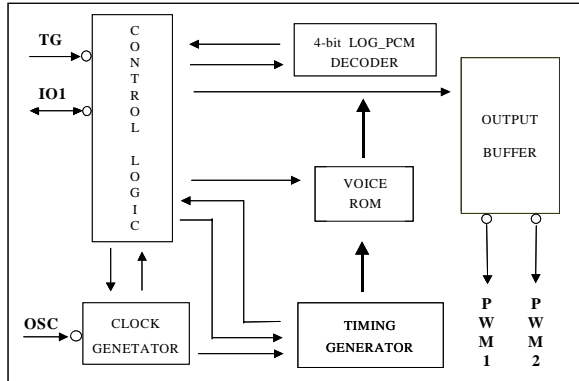
(B). 選擇內建頻率振盪器：將 OSC 接地。(因為頻飄及系統穩定問題，不建議使用)

※ 輸入方式選項：

選項	功能描述
CDS + 1M	一般選項，大多用在按鍵觸發。 當按鍵按下時，IC內部為 1M 的下拉電阻；而當按鍵放開時，IC內部為 1M+300K (並聯) 的下拉電阻。
CDS	IC內部為 300K 的下拉電阻，通常與光敏電阻一起使用。
1M pull-low	IC內部為 1M 的下拉電阻，保留給一些特殊應用使用。
10M pull-low	IC內部為 10M 的下拉電阻，通常使用在觸控的應用。
Floating	IC內部無下拉電阻，通常連接到其他輸出腳來做控制使用；如果沒連接其他輸出腳，一定要將此腳位外拉電阻到地。

*IO1 當輸入時，沒有 10M pull-low 的選項。



3. BLOCK DIAGRAM:

4. PAD DESCRIPTION:

Pad Name	Pad No.	ATTR.	Function
IO1	1	I/O	Status output or input for trigger.
TG	2	I	Input for trigger.
GND1, 2	3, 7	Power	Negative power supply.
PWM1	4	O	Audio output.
Vdd	5	Power	Positive power supply.
PWM2	6	O	Audio output.
OSC	8	I	Oscillator input. For using internal oscillator, connect OSC to GND.

5. CODE DEVELOPMENT & DEMO SYSTEM:

User can use “EzSpeech” software tool to develop the desired functions. For details, please see EzSpeech user manual. After finishing the code programming, user will get 2 files of “.bin” and “.htm”, the binary file and function check list. User can download the “.bin” file into 4EA_DB demo board to demonstrate the AVxx08 function. The related mapping of 4EA_DB is as below,

	AVxx08	4EA_DB	4EA_DB Description
I/O Pin	TG	PRA0	PRA0 performs TG input.
	IO1 as Input	PRA1	PRA1 performs IO1 input mode.
	IO1 as Output	PRB0	PRB0 performs IO1 output mode.
	PWM1, PWM2	PWM1, PWM2	PWM output to directly drive speaker.
	OSC	OSC1	OSC1 connect 150K ohms resistor to Vdd.

For some input type option, user may need to connect an external resistor. Please refer to the table below,

	AVxx08	4EA_DB	4EA_DB Description
Input Type	CDS + 1M	CDS + 1M	The same.
	CDS	CDS + 1M	Almost the same.
	1M pull-low	Floating	Need to connect 1M external resistor to GND.
	10M pull-low	Floating	Need to connect 10M external resistor to GND.
	Floating	Floating	The same.

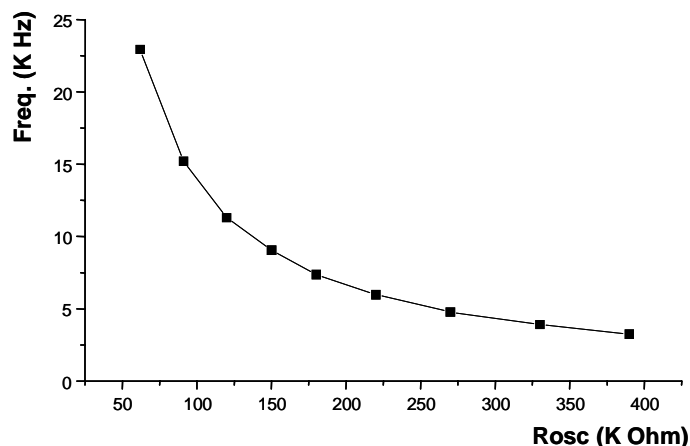
Once the function has been approved, user only need to send the “.bin” file to Aplus for code tape-out.

6. ABSOLUTE MAXIMUM RATING:

Symbol	Rating	Unit
Vdd~Vss	-0.5 ~ +7.0	V
Vin	Vss-0.3 < Vin < Vdd+0.3	V
Vout	GND < Vout < Vdd	V
Top (operating)	0 ~ +70	°C
Tst (storage)	-25 ~ +85	°C

7. DC CHARACTERISTICS:

Symbol	Parameter	Min.	Typ.	Max.	Unit	Condition
Vdd	Operating voltage	2.4	3.0	6.4	V	
Isb	Supply current	Standby		1	uA	Vdd=3V, I/O open (with Rosc or OSC grounded)
Iop		Operating		200		
Iih	Input current: TG, IO1 (1M pull low)			3	uA	Vdd=3V
Iil			0			
Iih	Input current: TG (10M pull low)			0.3	uA	Vdd=3V
Iil			0			
Iih	Input current: TG & IO1 (CDS)			10	uA	Vdd=3V
Iil			0			
Ioh	PWM1, PWM2 output current		-30		mA	Vdd=3V, Vop=2.4V
Iol			30			Vdd=3V, Vop=0.6V
Ioh	IO1 output current		-4.5		mA	Vdd=3V, Vop=2.55V
Iol			7.5			Vdd=3V, Vop=0.75V
dF/F	Frequency stability	-5		5	%	$\frac{F_{osc}(3v)-F_{osc}(2.4v)}{F_{osc}(3v)}$
dF/F	Fosc lot variation	-10		10	%	Vdd=3V, Rosc=220KΩ

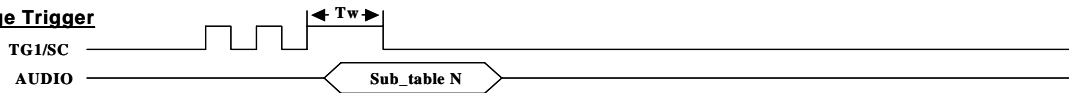
8. Frequency vs. External Rosc :


9. TIMING DIAGRAM:

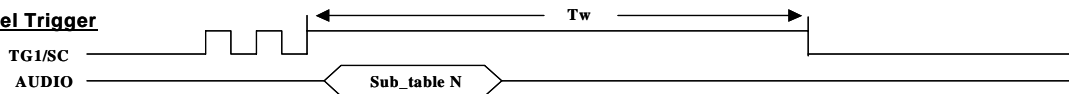
1.> Edge/Level

Edge Mode:

Edge Trigger

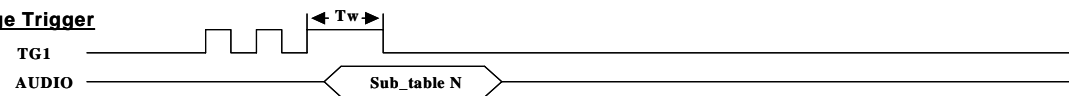


Level Trigger

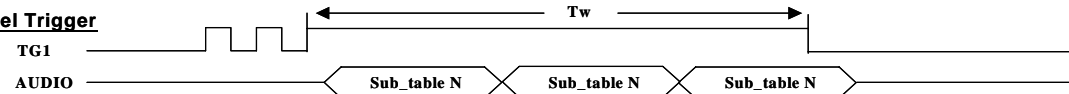


Level Mode:

Edge Trigger



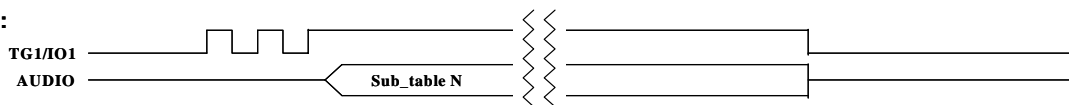
Level Trigger



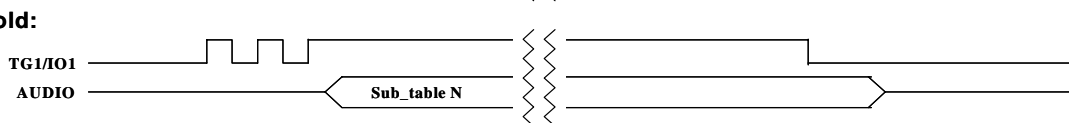
* Note: Tw is the minimum pulse width > debounce time (5.3ms or 20.8us at 6kHz).

2.> Hold/Unhold

Hold:



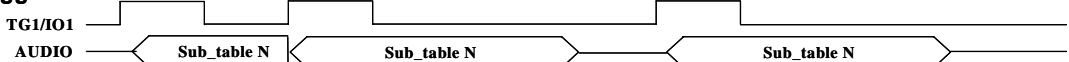
Unhold:



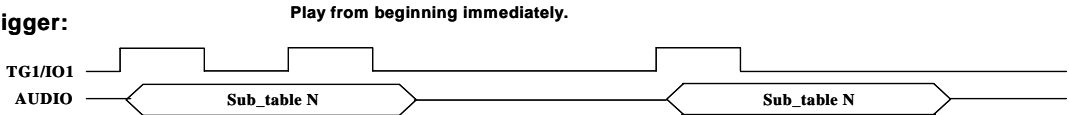
* Note: Both Edge and Level have Hold and Unhold option.

3.> Retrigger/Irrtrigger

Retrigger:

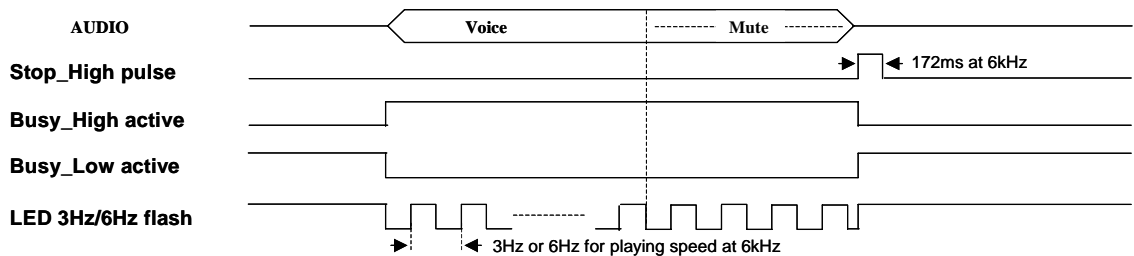


Irrtrigger:



Ignore trigger input signal during playing.

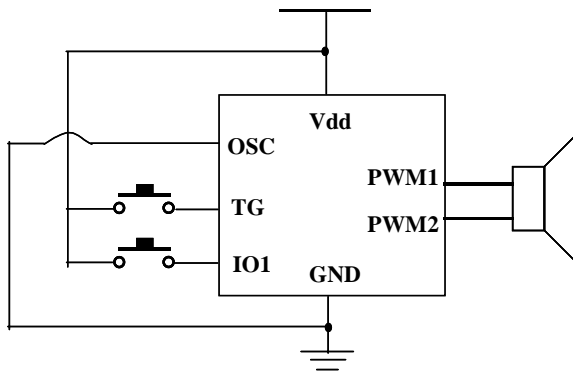
4.> Status Output (IO1)



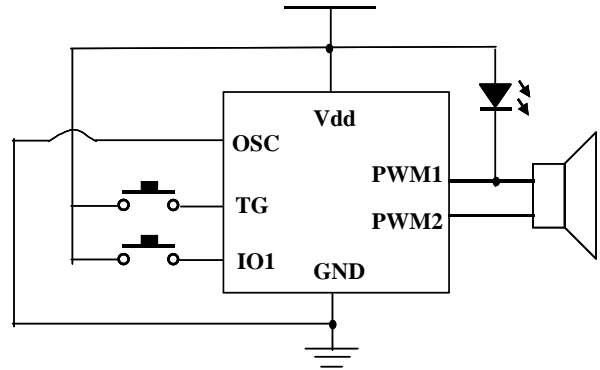
LED dynamic 2/4 : When the voice amplitude is higher than 2/4 full-scale amplitude, LED ON.
LED ON means status output low.

10. APPLICATION:

2 triggers, using internal oscillator

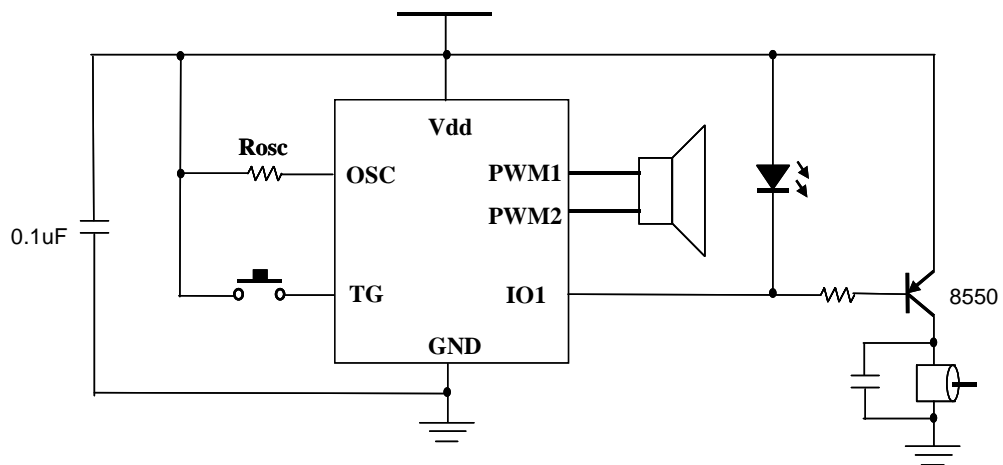


2 triggers, 1 LED, using internal oscillator



LED is flashing when PWM output enable.

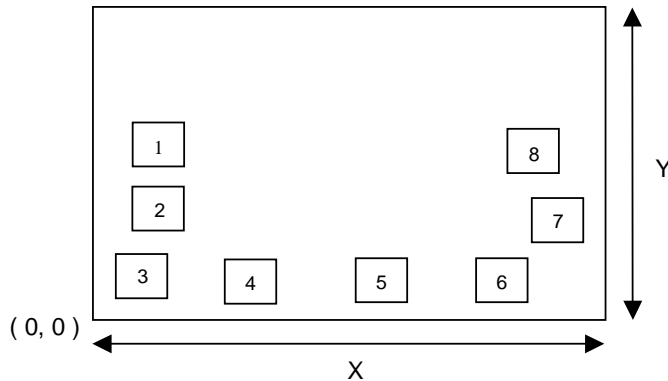
1 trigger, 1 LED, 1 motor, using external oscillator



Rosc=220KΩ (at 6kHz sample rate)

IO1 is set to output mode, "Busy_Low Active" option for driving Motor.

* **Notices:** The above application circuits are for reference only, user can contact Aplus for more information.

11. BONDING DIAGRAM:

Chip size:

AVH308 : X=890 um, Y=680 um

AV0708 : X=890 um, Y=810 um

AV1408 : X=890 um, Y=1100 um

AV2108 : X=890 um, Y=1380 um

Pad size: 80 um x 80 um

※ The IC substrate must be connected to GND.

12. PAD LOCATION:

Pad No.	Pad Name	X	Y
1	IO1	87	307
2	TG1	87	197
3	GND1	53	69
4	PWM1	218	57
5	Vdd	445	57
6	PWM2	671	57
7	GND2	753	166
8	OSC	719	286