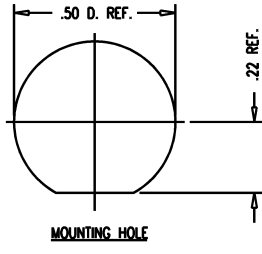
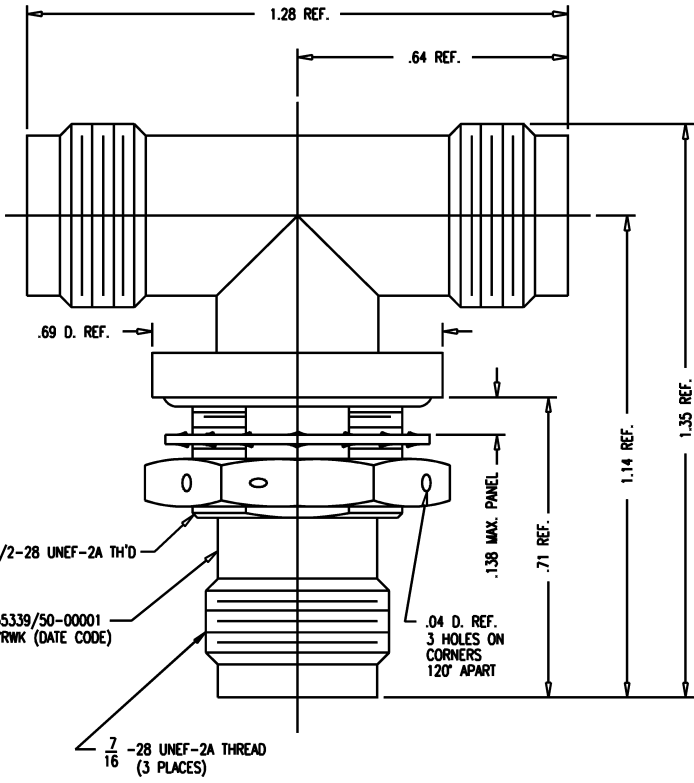


# GSD

M55339/50-00001

**REVISIONS**

ISSUE	CHANGES
4	CN 23170 E M.A. 03/22/90
5	CN 35618 D ME 01/10/95
6	CN 36060 C ME 01/20/95
7	CN 37937 E TML 12/09/99



- NOTES:**
- MATERIALS:**  
INSULATORS: TEFLON, ASTM-D-4894  
LOCKWASHER: PHOSPHOR BRONZE, ASTM-B-103  
O-RING: SYNTHETIC RUBBER, PER MIL-P-25732  
CENTER CONTACTS: BER. COPPER, ASTM-B-196  
ALL OTHER METAL PARTS: BRASS, ASTM-B16
  - FINISHES:**  
CENTER CONTACTS: GOLD PLATE PER MIL-G-45204  
ALL OTHER METAL PARTS: BRASS, ASTM-B16
  - ELECTRICAL CHARACTERISTICS:**  
WORKING VOLTAGE: 500 VOLTS RMS  
NOMINAL IMPEDANCE: 50 OHMS  
FREQUENCY RANGE: DC TO 11 GHz.
  - MARK PACKAGE:** 91836 M55339/50-00001  
129-6 YR WK (DATE CODE)

STAMP:  
91836 M55339/50-00001  
129-6 YRWK (DATE CODE)

1296S

SCALE	4:1
APPROX SURFACE AREA	
	129-6
USED ON	
REF:	
<b>TNC BULKHEAD ADAPTER</b> F-F-F	
DRAWN WJM	DATE 04/27/90
DESIGN MJB	DATE 05/09/90
APPR.	DATE

**KINGS**  
ELECTRONICS CO., INC.  
ROCK HILL, SOUTH CAROLINA 29730

M55339/50-00001

# GSD