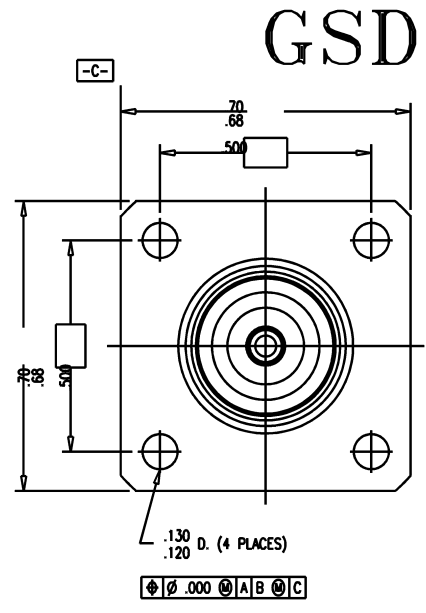
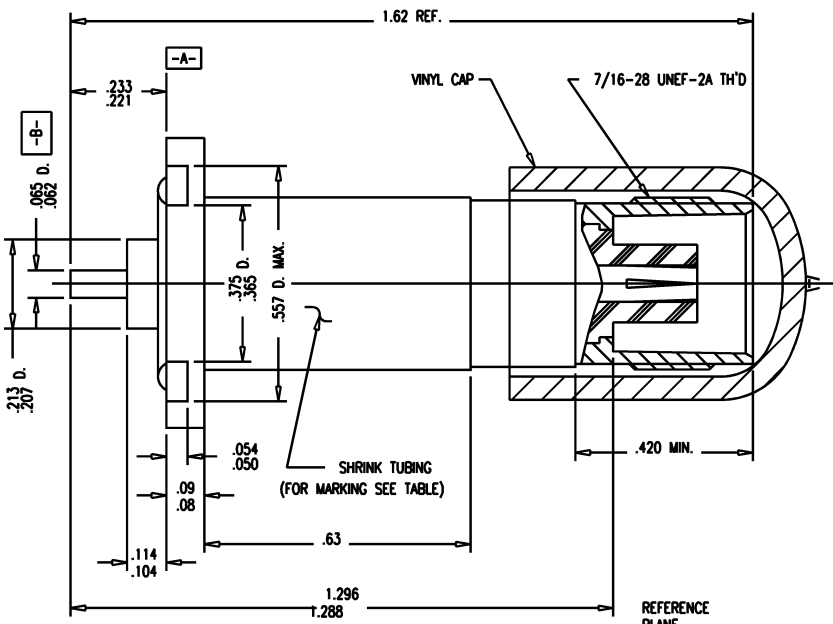


DASH NO.	M CODE	MADE FROM
----------	--------	-----------



- NOTES:
1. INTERFACE TO BE IN ACCORDANCE WITH MIL-STD-348 FIG. 313-2.
  2. MATERIALS:  
 INSULATOR-TEFLON, ASTM-D-4894  
 CENTER CONTACT-BER. COP., ASTM-B-196  
 O-RING-SILICONE RUBBER, ZZ-R-765  
 SHRINK TUBING-POLYOLEFIN PER MIL-I-23053/5  
 BODY-BRASS, ASTM-B16
  3. FINISHES:  
 CENTER CONTACT-GOLD PLATE PER MIL-G-45204  
 BODY-KINGS TARNISH RESISTANT FINISH (TR-5)
  4. ELECTRICAL CHARACTERISTICS:  
 NOMINAL IMPEDANCE-50 OHMS  
 FREQUENCY RANGE-DC TO 1.10 CHZ  
 WORKING VOLTAGE-500 VOLTS RMS  
 VSWR: 1.07 MAX.
  5. DIMENSIONING SYMBOLS IAW ANSI Y14.5M.

KINGS P/N	CODE	MARKING
127-36-1	J1	J1
127-36-2	J2	J2
127-36-3	J3	J3
127-36-4	J4	J4

REVISIONS	
ISSUE	CHANGES
1	CN 37925 E TML 10/25/99

127-36-\*

SCALE 4:1	
APPROX SURFACE AREA	
WAS: E-19677	
USED ON 127-36	
REF: CHELTON DWG. NO. 8013-0850 REV. B	
RECEPTACLE, PANEL, TNC	
DRAWN GEH	DATE 06/03/99
DESIGN GEH	DATE 06/03/99
APPR. GEH	DATE 06/08/99
 ROCK HILL, SOUTH CAROLINA 29730	
127-36-*	

GSD