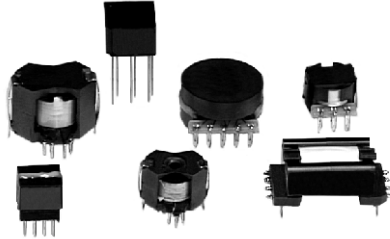


Transformers Pulse, Trigger Type



FEATURES

- Integrated Services Digital Network transformers that provide isolation for the line card and terminal in conjunction with both "S/T" and "U" interfaces.
- Designed to meet the CCITT 1.430 pulse wave form template requirements.
- Isolation voltage levels available for U.S. and international applications.
- Printed circuit board mountable in both through-hole and surface mount packages..
- Standard and custom configurations available.
- PT-100 series used for "S/T" interfaces.
- PT-200 series used for "U" interfaces.



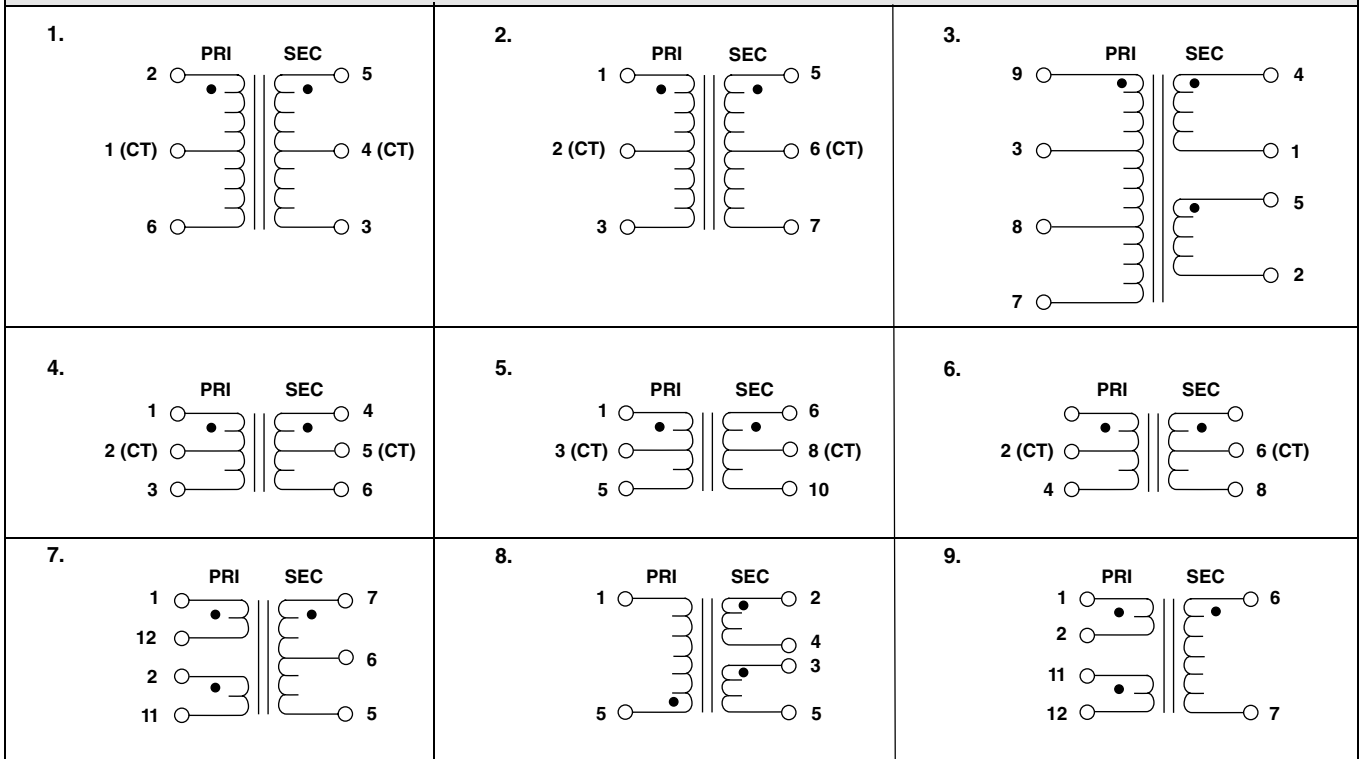
RoHS
COMPLIANT

STANDARD ELECTRICAL SPECIFICATIONS								
MODEL	TURNS RATIO	PRIMARY INDUCTANCE MIN. (MH)	PRIMARY DCR MAX. (Ohms)	SECONDARY DCR MAX. (Ohms)	LEAKAGE INDUCTANCE MAX. (µH)	PRIMARY/SECONDARY HIPOT (V RMS)	STYLE NUMBER	SCHEMATIC NUMBER
PT-100-01	1 CT : 2 CT	20	1.2	11.0	30	1500	1	1
PT-100-02	1 CT : 2 CT	20	1.2	11.0	30	1500	2	2
PT-100-04	1 CT : 2 CT	20	3.0	4.5	15	1500	4	4
PT-100-05	1 CT : 2.5 CT	22	2.8	6.5	20	1500	1	1
PT-100-06	1 CT : 1 CT	22	2.8	2.8	10	1500	5	6
PT-100-08	1 CT : 1.8 CT	22	2.8	5.5	20	1500	1	1
PT-100-09	1 CT : 2 CT	22	8.0	15.0	30	1500	7	5
PT-100-012	1 CT : 2 CT	22	2.8	5.5	10	2000	9	4
PT-200-01	2.5 : 1	72	8.5	2.0	160	1100	3	3
PT-200-02	2 : 1 CT	25	11.0	3.5	20	1100	6	7
PT-200-03	2 : 1	30	2.3	2.0	200	1100	8	8
PT-200-08	1.6 : 1	13	3.0	3.0	55	2000	6	9

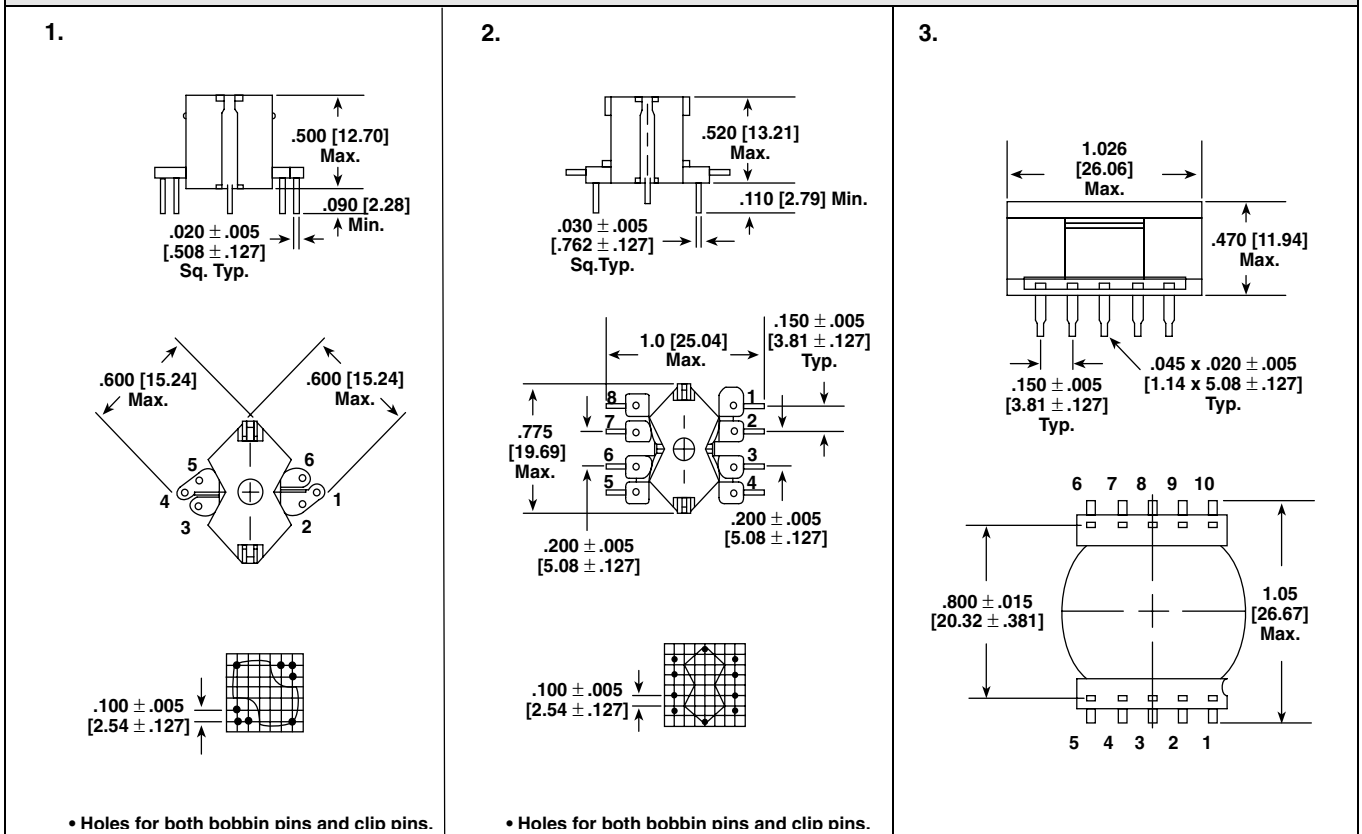
TRANSFORMER CROSS REFERENCE FOR TRANSCEIVER CHIPS			
MODEL	TURNS RATIO	IC MANUFACTURER	IC PART NUMBER
PT-100-01	1 CT : 2 CT	SIEMENS	PEB2080/2085/2081
PT-100-02	1 CT : 2 CT	SIEMENS	PEB2080/2085/2081
PT-100-04	1 CT : 2 CT	AMD	79C30A
		MITEL	MT8930
		NATIONAL	TP3420
PT-100-05	1 CT : 2.5 CT	INTEL	29C53
		AT&T	T7250/T7252
PT-100-06	1 CT : 1 CT	MOTOROLA	MC145474
			MC145475
PT-100-08	1 CT : 1.8 CT	INTEL	29C53
PT-100-09	1 CT : 2 CT	SIEMENS	PEB2080/2085
		AMD	79C30A
		MITEL	MT8930
		NATIONAL	TP3420
PT-100-012*	1 CT : 2 CT	SIEMENS	PEB2080/2085/2081
		AMD	79C30A
		MITEL	MT8930
		NATIONAL	TP3420
PT-200-01	2.5 : 1	AT&T	T7262/T7263
PT-200-02	2 : 1 CT	MOTOROLA	MC145472
PT-200-03	2 : 1	MITEL	MT8972
PT-200-08*	1.6 : 1**	SIEMENS	PEB2091

*Hipot voltage will meet international safety standards. **Low profile.

SCHEMATICS

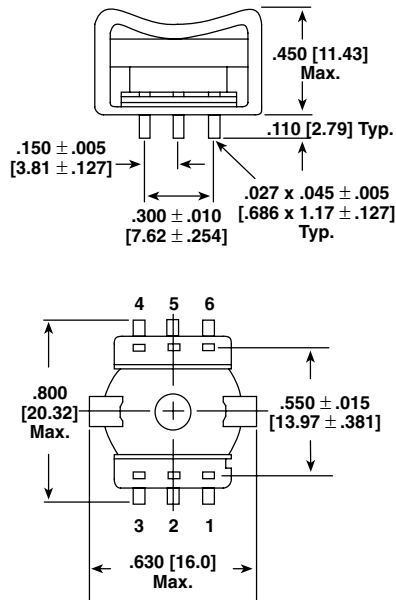


DIMENSIONAL CONFIGURATIONS

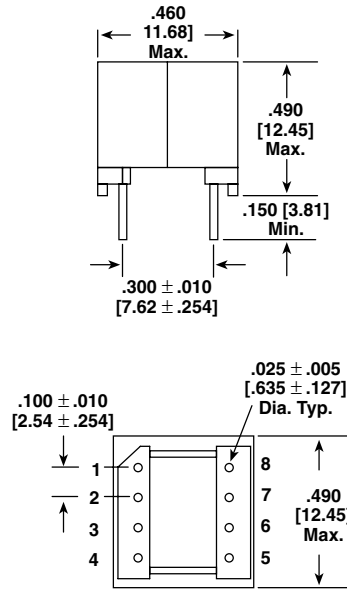


DIMENSIONAL CONFIGURATIONS

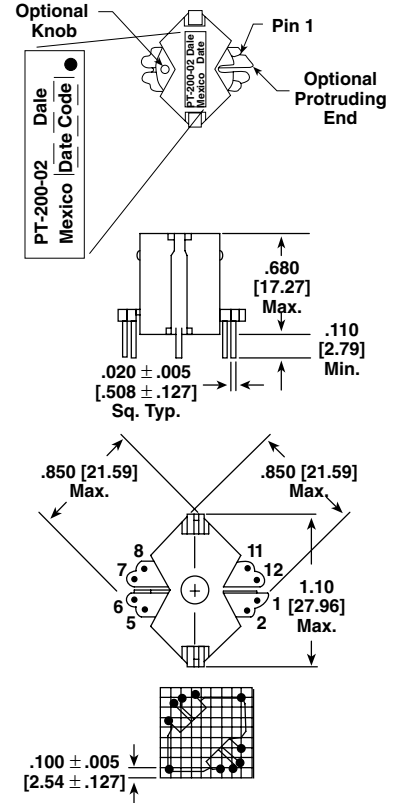
4.



5.

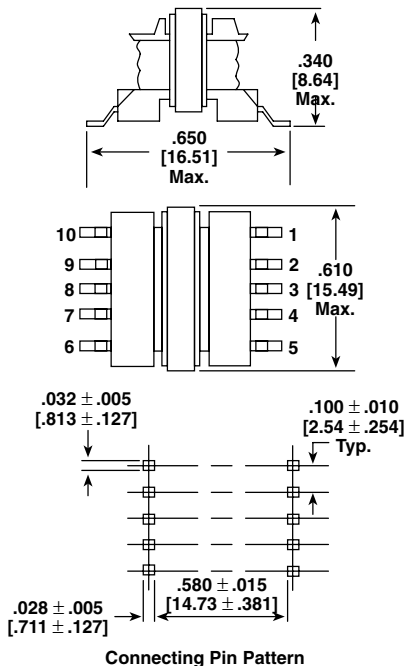


6.

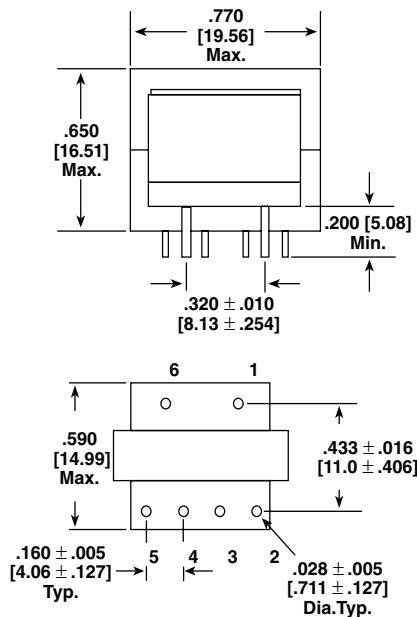


• Holes for both bobbin pins and clip pins.

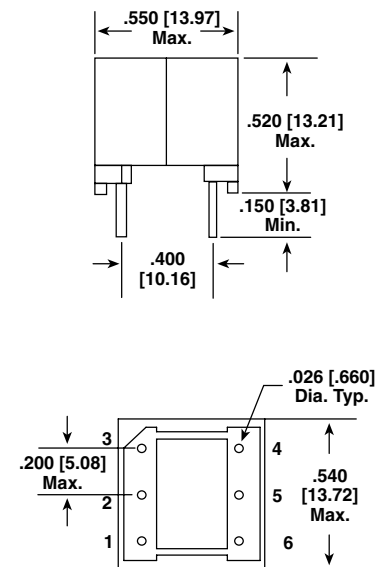
7.



8.



9.





ORDERING INFORMATION

PT
MODEL

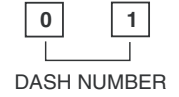
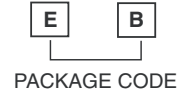
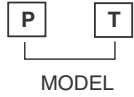
100
STYLE

01
DASH NUMBER

EB
PACKAGE CODE

e2
JEDEC LEAD (Pb)-FREE
STANDARD

GLOBAL PART NUMBER





Disclaimer

All product specifications and data are subject to change without notice.

Vishay Intertechnology, Inc., its affiliates, agents, and employees, and all persons acting on its or their behalf (collectively, "Vishay"), disclaim any and all liability for any errors, inaccuracies or incompleteness contained herein or in any other disclosure relating to any product.

Vishay disclaims any and all liability arising out of the use or application of any product described herein or of any information provided herein to the maximum extent permitted by law. The product specifications do not expand or otherwise modify Vishay's terms and conditions of purchase, including but not limited to the warranty expressed therein, which apply to these products.

No license, express or implied, by estoppel or otherwise, to any intellectual property rights is granted by this document or by any conduct of Vishay.

The products shown herein are not designed for use in medical, life-saving, or life-sustaining applications unless otherwise expressly indicated. Customers using or selling Vishay products not expressly indicated for use in such applications do so entirely at their own risk and agree to fully indemnify Vishay for any damages arising or resulting from such use or sale. Please contact authorized Vishay personnel to obtain written terms and conditions regarding products designed for such applications.

Product names and markings noted herein may be trademarks of their respective owners.