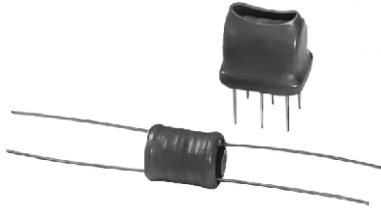


Transformers Pulse, Trigger Type



FEATURES

- Choice of printed circuit or bobbin-type configurations.
- Designed to transfer high amplitude or long duration pulses without saturation.
- Designed for low-cost trigger source isolation in half and full wave SCR power control circuits, including motor speed controls, heater controls and incandescent lighting controls.



RoHS
COMPLIANT

STANDARD ELECTRICAL SPECIFICATIONS							
DASH NUMBER	TURNS RATIO	FIGURE	PRIMARY INDUCTANCE MINIMUM (μH)	LEAKAGE INDUCTANCE MAXIMUM (μH)	INTERWINDING CAPACITY MAXIMUM (pF)	DCR MAXIMUM (Ohms)	UNIPOLAR ET (V-μSEC)
101*	1:1 ± 10 %	1/3	200	3	800	1.5-1.5	570
102*	1:1 ± 10 %	1/3	500	6	1500	4.5-4.5	912
103*	1:1 ± 10 %	1/3	1000	12	2000	8-8	1283
104	1:1 ± 10 %	1/3	2000	13	2800	12-12	1853
105	1:1 ± 10 %	1/3	5000	15	3500	18-18	2850
106*	1:1:1 ± 10 %	2/4	200	3	800	2-2-2	570
107	1:1:1 ± 10 %	2/4	500	6	1500	6-6-6	912
108	1:1:1 ± 10 %	2/4	1000	12	2000	10-10-10	1283
109	1:1:1 ± 10 %	2/4	2000*	13	2800	15-15-15	1853
110	1:1:1 ± 10 %	2/4	5000	15	3500	27-27-27	2850
111*	2:1 ± 10 %	1/3	500	6	1000	4-2	912
112*	2:1 ± 10 %	1/3	1000	10	1300	10-2	1288
113	2:1 ± 10 %	1/3	2000	12	1800	10-5	1881
114	2:1 ± 10 %	1/3	5000	15	2400	18-10	2850
115*	2:1:1 ± 10 %	2/4	200	8	700	4-2-2	570
116*	2:1:1 ± 10 %	2/4	500	11	1000	6-2-2	912
117*	2:1:1 ± 10 %	2/4	1000	15	1300	5-2-2	1311
118	2:1:1 ± 10 %	2/4	2000	60	2000	10-5-5	1881
119	2:1:1 ± 10 %	2/4	5000	75	2100	20-10-10	2850
120*	5:1 ± 10 %	1/3	5000	1500	400	19-3	2850
121	5:1:1 ± 10 %	2/4	5000	1500	400	20-4-4	2850

*Standard items in PT-10 Model. Other Dash Numbers available on request. All Dash Numbers standard in PT-20 Model.

ELECTRICAL SPECIFICATIONS

Primary Inductance Values: From 200 μH to 5000 μH

Turns Ratio: 1:1, 1:1:1, 2:1, 2:1:1 and 5:1

Temperature Range: - 10 °C to + 70 °C

Dielectric Test at 60 Hz: 1600 V RMS (Windings to case)

AC Line Voltage at 60 Hz: 240 V RMS maximum in test circuits shown

MATERIAL SPECIFICATIONS

Bobbin: Nylon

Leads: Tinned, solderable

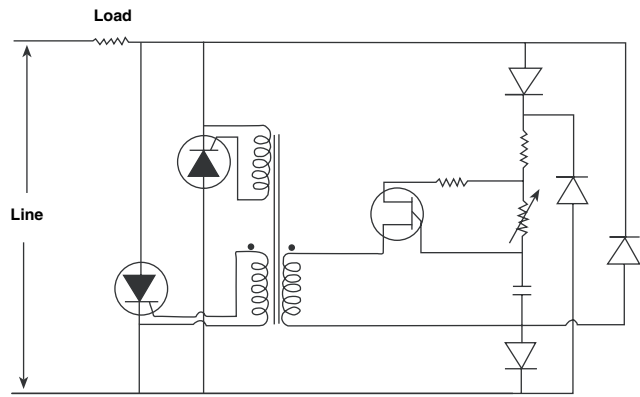
PT-10 = Polyurethane insulated magnet wire for clip or bracket mounting

PT-20 = Tinned copper 0.025 [0.635]Sq. for printed circuit mounting

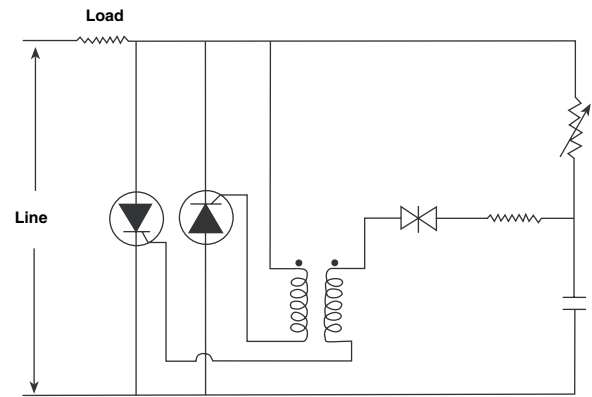
Header: Thermoset plastic

Covering: Thermoplastic

CIRCUIT DIAGRAMS



Transformer Coupled Unijunction Transistor Triggering Circuit



Transformer Coupled Breakdown Diode Triggering Circuit

DIMENSIONS in inches (millimeters)

PT-10

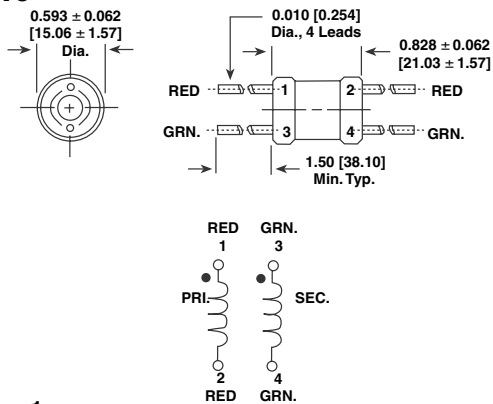


Figure 1

PT-10

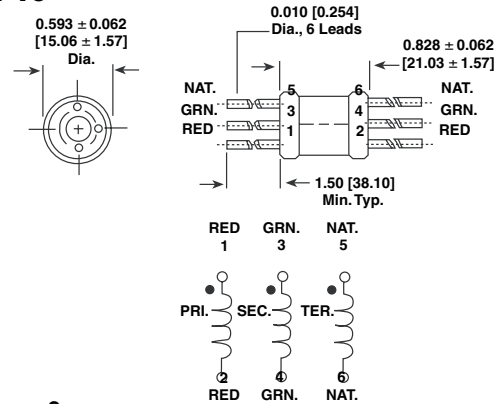


Figure 2

PT-20

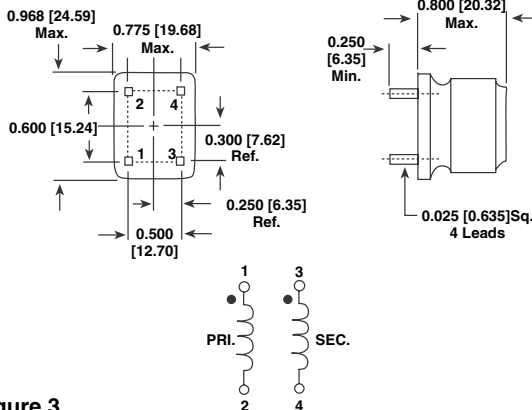


Figure 3

PT-20

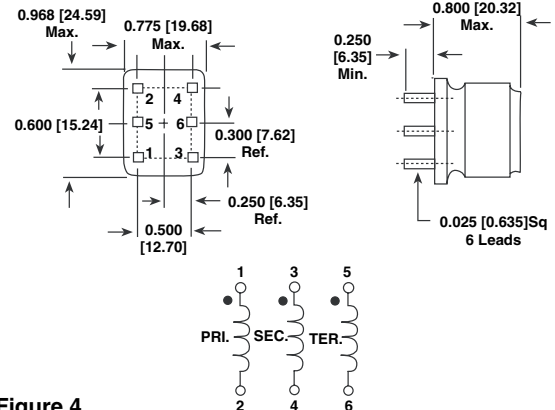


Figure 4

PART MARKING

- Vishay Dale
- Model
- Style
- Dash number



ORDERING INFORMATION

PT
MODEL

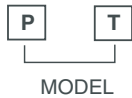
10
STYLE

101
DASH NUMBER

EB
PACKAGE CODE

e2
JEDEC LEAD (Pb)-FREE
STANDARD

GLOBAL PART NUMBER





Disclaimer

All product specifications and data are subject to change without notice.

Vishay Intertechnology, Inc., its affiliates, agents, and employees, and all persons acting on its or their behalf (collectively, "Vishay"), disclaim any and all liability for any errors, inaccuracies or incompleteness contained herein or in any other disclosure relating to any product.

Vishay disclaims any and all liability arising out of the use or application of any product described herein or of any information provided herein to the maximum extent permitted by law. The product specifications do not expand or otherwise modify Vishay's terms and conditions of purchase, including but not limited to the warranty expressed therein, which apply to these products.

No license, express or implied, by estoppel or otherwise, to any intellectual property rights is granted by this document or by any conduct of Vishay.

The products shown herein are not designed for use in medical, life-saving, or life-sustaining applications unless otherwise expressly indicated. Customers using or selling Vishay products not expressly indicated for use in such applications do so entirely at their own risk and agree to fully indemnify Vishay for any damages arising or resulting from such use or sale. Please contact authorized Vishay personnel to obtain written terms and conditions regarding products designed for such applications.

Product names and markings noted herein may be trademarks of their respective owners.