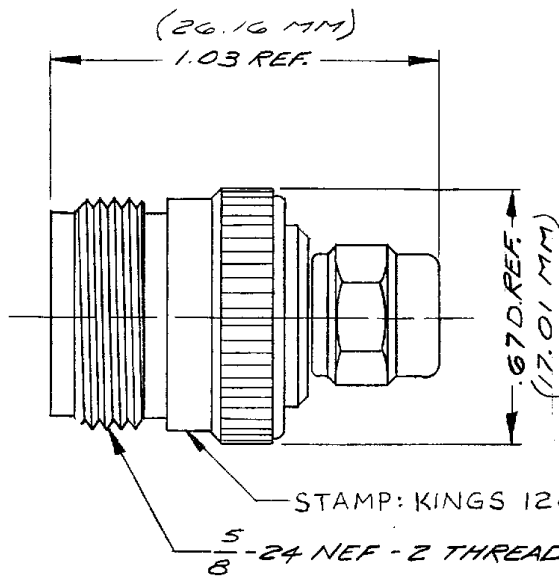


DASH NO

M CODE

MADE FROM



## NOTES:

## 1. MATERIAS:

INSULATOR-TEFLON, ASTM-D-1457  
 GASKET-SILICONE RUBBER, ZZ-R-765  
 SMA CONTACT M - BRASS, QQ-B-626  
 ALL OTHER METAL PARTS-BER. COP., ASTM-B-196

## 2. FINISHES:

ALL METAL PARTS-GOLD PLT. PER MIL-G-45204

## 3. ELECTRICAL CHARACTERISTICS:

NOMINAL IMPEDANCE: 50 Ω  
 VOLTAGE RATING: 350 VOLTS  
 FREQUENCY RANG: DC-11 GHZ  
 AVERAGE VSWR: LESS THAN 1.15

## UNLESS OTHERWISE SPECIFIED:

1. TOLERANCES: FRACTIONS & 2 PLACE DECIMALS ± .010  
 3 PLACE DECIMALS ± .004 ANGLES ± 0°30'  
 T. I. R. CONCENTRICITY OF ANY 2 DIAMETERS MAY  
 NOT EXCEED HALF THE SUM OF THEIR TOLERANCES.

2. REMOVE ALL BURRS, BREAK SHARP EDGES .005 MAX.  
 3. NO FILLETS PERMITTED.  
 4. SURFACE ROUGHNESS 63 MICROINCHES RMS MAX.  
 5. ALL DIMENSIONS PRIOR TO PLATING.  
 6. ALL PLATING IN ACCORDANCE WITH KER 10004.

1209-2-15MA9

## REVISIONS

ISSUE	CHANGES
3	CN 18981A MJB 2 JAN 79
4	CN 32904 C KH 18 MAR 91

S-D

SCALE:

APPROX. SURFACE AREA:

USED ON:

REF:

N(F) TO SMA(M)  
ADAPTOR

DRAWN PAS

DATE 3 MAR 81

APPR. MJB

DATE 6 MAR 81

**KINGS**  
ELECTRONICS CO., INC.  
TUCKAHOE, NEW YORK 10707

1209-2-15MA9

S-D