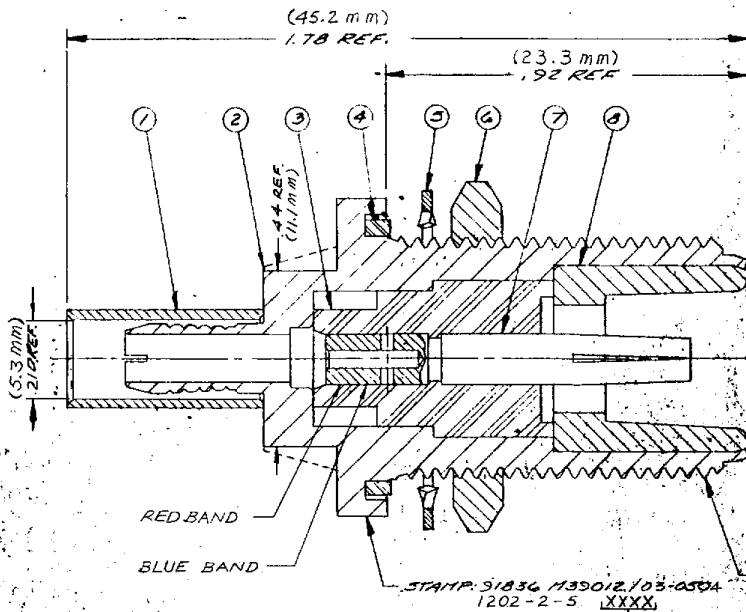
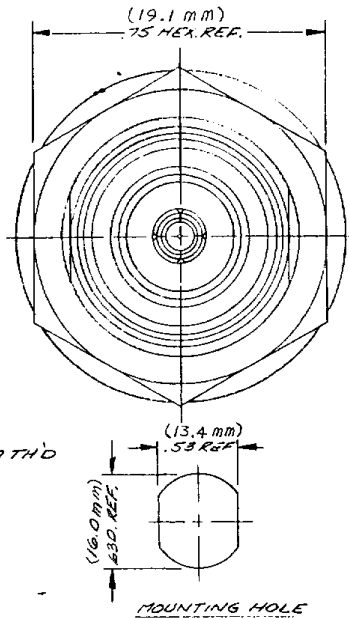


DASH NO.	DESCRIPTION	MADE FROM
----------	-------------	-----------



- NOTE 31
- FOR USE WITH M171028-RG058 CABLE.
 - FOR CABLING INSTRUCTIONS SEE CP-489.
 - FOR CABLE TRIMMING USE KTJ-162 & KTD-208.
 - FOR FORMING USE CRIMP DIE SIZE 42.
 - ITEM ② TO BE SUPPLIED UNASSEMBLED.
 - FOR USE WITH .324 MAX. PANEL.



REVISIONS	
ISSUE	CHANGES
0	RESTRICTED USAGE ER 29141 KH 13OCT87
1	CN 29715 E RESTRICTION REMOVED AJ 3MAY 88
2	CN 32243 A LNM 1 JUN 90

S-D

S-D

1202-2-5	
USED ON:	
REF:	
FINISH	
SPEC:	
MATL	
SPEC:	
DRAWN KH	DATE 13OCT87
APPR. [Signature]	DATE 16OCT87
KINGS ELECTRONICS 40 HARBLEDALE ROAD TUCKAHOE, N. Y. 10787	
M39012/03-0504	

UNLESS OTHERWISE SPECIFIED:

- | | |
|--|--|
| 1. TOLERANCES: FRACTIONS & 2 PLACE DECIMALS ± .010 | 2. REMOVE ALL BURRS, BREAK SHARP EDGES .008 MAX. |
| 3 PLACE DECIMALS ± .004 | 3. NO FILLETS PERMITTED. |
| 7. R. CONCENTRICITY OF ANY 2 DIAMETERS MAY NOT EXCEED HALF THE SUM OF THEIR TOLERANCES | 4. SURFACE ROUGHNESS 63 MICROINCHES RMS MAX. |
| | 5. ALL DIMENSIONS PRIOR TO PLATING. |

ITEM	REQ'D	DESCRIPTION	PART NO.
3	1	CABLING INSTRUCTIONS	N-59-242-4-M08
8	1	BUSHING	
7	1	NCAPTIVE CRIMP CONTACT F	1-534-B2M9D
6	1	HEX NUT	708-4-M07
5	1	LOCKWASHER	30C-6-M07
4	1	GASKET	631-8-M99
3	1	INSULATOR	
2	1	K-GRIP BODY	
1	1	K-GRIP SLEEVE	1-4690-1M07