



PRODUCT OVERVIEW

The Marvell® Link Street™ family of low power Gigabit Ethernet (GbE) switches provides industry leading functionality and price-performance ratio for the cost-sensitive Small Office/Home Office (SOHO) and enterprise desktop switching market. The Link Street 88E6151 (5-port) and 88E6181 (8-port) devices are GbE Quality of Service (QoS) switches integrating a high-performance switching fabric with five (88E6151) or eight (88E6181) SERDES ports. Each switch enables one port to be selected as a SERDES or as a fiber port that can directly drive a fiber module.

Other advanced features include 802.1p/IPv4/IPv6 traffic classification, port-based VLANs, four priority queues, a high-speed address look-up engine, and 1 Mb of packet memory and MAC address storage. The Link Street 88E6151/88E6181 devices may be used in conjunction with Marvell Alaska® Gigabit PHYs to build a three-chip complete Gigabit switch solution. The Link Street 88E6151/88E6181 switches perform wire-speed Gigabit switching and are ideal products for value-oriented enterprise-class desktop switches.

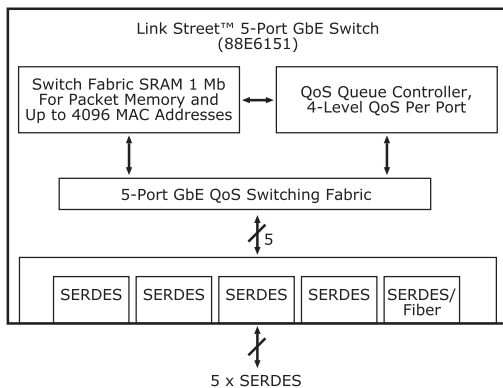


Fig 1. Link Street™ 5-Port GbE Switch (88E6151) Internal Block Diagram

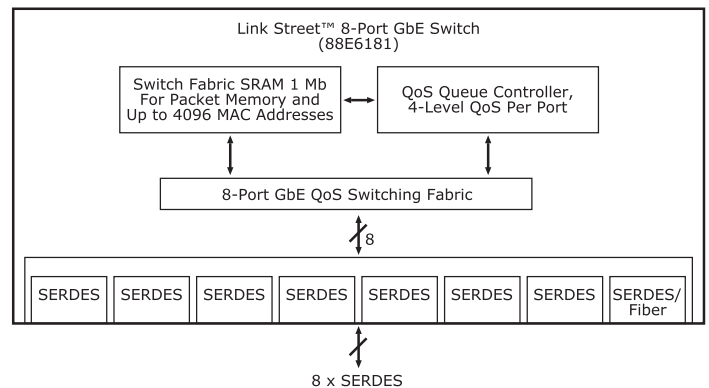


Fig 2. Link Street™ 8-Port GbE Switch (88E6181) Internal Block Diagram

FEATURES

- Single-chip integration of a 5-port (88E6151) or 8-port (88E6181) GbE QoS switch
- Five/eight integrated triple-speed 10/100/1000 SERDES ports
- One port is selectable as SERDES or fiber
- Port-based VLANs supported in any combination
- High-speed switch fabric
 - High-performance look-up engine with support for up to 4,096 MAC address entries with automatic learning and aging
 - Port-based VLANs supported in any combination
- QoS determined by destination MAC address, port ID, IEEE 802.1p and multimedia traffic tags, IPv4 Type of Service (ToS), and Differentiated Services (DiffServ)
- Link aggregation for any number of ports (port trunking)
- Port mirroring

BENEFITS

- Provides a complete SOHO switching solution with true non-blocking switching performance and IEEE 802.1p QoS provisions
- Provide a glueless interface to Marvell Alaska Gigabit PHYs, including to the 88E1145 quad-port Gigabit PHY and the 88E1111 single-port PHY. Allows triple-speed Ethernet 10/100/1000 Mbps operation
- Enables the fiber port to drive a Gigabit fiber module directly
- Provides Layer 2 firewall port isolation
- Provides true non-blocking switching performance
 - Supports a large number of Ethernet nodes
 - Allow suppression or addition of group membership to provide flexible management by IT managers
- Supports the most number of traffic priority schemes in its class
- Groups multiple links into one higher speed link
- Enables monitoring/analysis tools to monitor data from the network mirrored from each selected port



FEATURES

- Multiple address data bases (up to 16)
- Chip configuration through SMI ports (MDC/MDIO) or by low-cost Serial EEPROM
- CMOS low power dissipation (typical 1.4W for 8-port)

BENEFITS

- Allows packet routing without modification of the MAC address
- Provides an easy, low-cost switching configuration
- Eliminates expensive heatsinks or fans and permits the use of low cost and small enclosures

APPLICATIONS

The Marvell Link Street family of products provides industry-leading functionality for Gigabit integrated switches. The 88E6181 device builds a complete 8-port Gigabit non-blocking QoS switch with all PHYs and memory in a 3-chip solution, when used with two 88E1145 Alaska Gigabit Quad PHYs. The 88E6151 device builds a 5-port Gigabit non-blocking QoS switch in a low-cost 4-layer PCB when used with five 88E1111 Alaska Gigabit Single-Channel PHYs; or alternatively, the 88E6151 product builds a smallest-board-space 3-chip solution when used with one 88E1145 Alaska® Gigabit Quad PHY plus one 88E1111 Single-Channel PHY. The 88E6151 switch's high integration, low power, and glueless interface to Marvell Gigabit PHYs save BOM costs and support many applications with few additional active components in a small footprint.

The 88E6181 and 88E6151 switches have optimizations for fast packet switching and are ideal products for low cost enterprise-class desktop switches and SOHO networks.

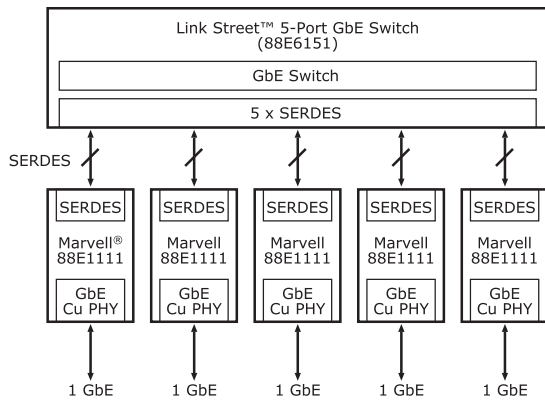


Fig 3. Link Street™ 5-Port GbE Switch (88E6151) System Block Diagram (4-Layer PCB Design)

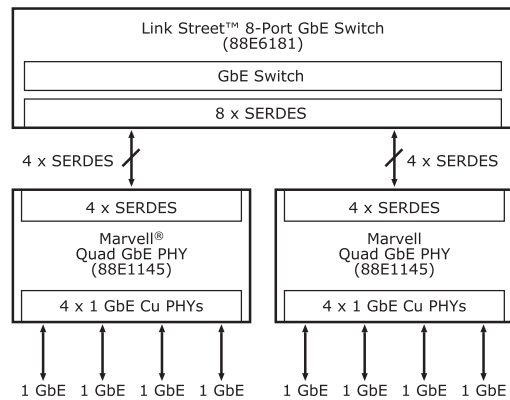


Fig 4. Link Street™ 8-Port GbE Switch (88E6181) System Block Diagram

THE MARVELL ADVANTAGE: Marvell's worldwide field applications engineers collaborate closely with network equipment vendors to develop and deliver new competitive products to market on time. All Marvell products, including the Link Street 88E6151/88E6181 Gigabit Ethernet QoS Switches, are supported by a complete set of hardware and software tools to assist network hardware engineers with product evaluation.

For more information, visit our website at www.marvell.com.



Marvell Semiconductor, Inc.

700 First Avenue
Sunnyvale, CA 94089
Phone 408.222.2500
www.marvell.com

Copyright © 2003, Marvell. All rights reserved. Marvell, the Marvell logo, Moving Forward Faster, Alaska, and GalNet are registered trademarks of Marvell. Discovery, Fastwriter, GalTis, Horizon, Libertas, Link Street, NetGX, PHY Advantage, Pretera, Raise The Technology Bar, UniMAC, Virtual Cable Tester, and Yukon are trademarks of Marvell. All other trademarks are the property of their respective owners.

88E6151/81-001 07/03