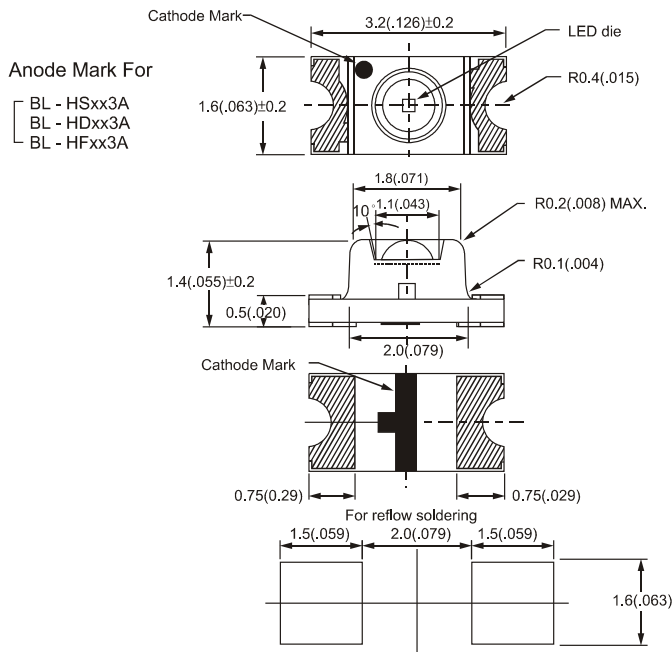


BL-Hxxx3A (1206) Series



NOTE:
 1. All dimensions are in millimeters (inches).
 2. Tolerance is ±0.10 (.004") unless otherwise specified.
 3. Specifications are subject to change without notice.

■ Absolute Maximum Ratings
(Ta=25°C)

	UNIT	SPEC.
IF	mA	30
IFp	mA	100
VR	V	5
Topr	°C	-25 ~ +80
Tstg	°C	-30 ~ +85

Part No.	Chip				Lens Appearance	Electro-optical Data (At 20mA)				Viewing Angle 2θ 1/2 (deg)
	Material	Emitted Color	λp (nm)	λd (nm)		Vf (V)		Iv (mcd)		
						Typ.	Max.	Min.	Typ.	
BL-HS133A	GaAlAs/GaAs	Super Red	660	643	Water Clear	1.7	2.6	12.3	25.0	60°
BL-HUB33A	AlGaInP	Super Red	645	632		2.1	2.6	63.0	100.0	
BL-HJB33A	AlGaInP	Super Orange Red	620	615		2.0	2.6	94.0	160.0	
BL-HJE33A	AlGaInP	Super Orange Red	630	625		2.1	2.6	94.0	150.0	
BL-HG033A	GaP/GaP	Yellow Green	568	571		2.1	2.6	12.3	25.0	
BL-HX133A	GaP/GaP	Hi-Eff Green	568	570		2.2	2.6	12.3	40.0	
BL-HGE33A	AlGaInP	Super Yellow Green	570	570		2.0	2.6	42.0	75.0	
BL-HG433A	InGaN	Bluish Green	505	505		3.5	4.0	94.0	150.0	
BL-HG633A	InGaN	Green	525	525		3.5	4.0	140.0	300.0	
BL-HY033A	GaAsP/GaP	Yellow	583	585		2.1	2.6	5.5	15.0	
BL-HKB33A	AlGaInP	Super Yellow	590	587		2.1	2.6	63.0	130.0	
BL-HKD33A	AlGaInP	Super Yellow	595	594		2.1	2.6	94.0	200.0	
BL-HA133A	GaAsP/GaP	Amber	610	610		2.1	2.6	5.5	12.0	
BL-HJF33A	AlGaInP	Super Amber	610	605		2.0	2.6	94.0	160.0	

Part No.	Chip				Lens Appearance	Electro-optical Data (At 5mA)				Viewing Angle 2θ 1/2 (deg)
	Material	Emitted Color	λp (nm)	λd (nm)		Vf (V)		Iv (mcd)		
						Typ.	Max.	Min.	Typ.	
BL-HB333A	AllnGaN	Super Blue	460	465-470	Water Clear	2.8	3.2	18.5	40.0	60°
BL-HB533A	AllnGaN	Super Blue	470	470-475		2.8	3.2	18.5	45.0	