

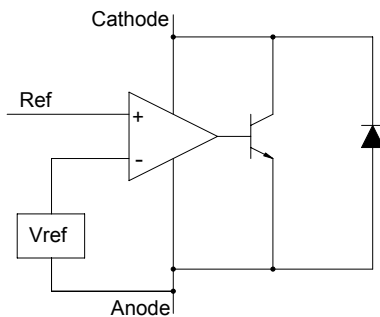


Description

The AMS431LV is a low voltage three terminal adjustable shunt regulator with a guaranteed thermal stability over applicable temperature ranges. The output voltage can be set to any value between V_{REF} (approximately 2.5 V) to 18V with two external resistors. This device has a typical output impedance of 0.08Ω . Active output circuitry provides a very sharp turn on characteristic, making this device excellent replacement for Zener diodes in many applications.

The AMS431LV is characterized for operation from -40°C to 125°C , and five package options (SOT-23-3, SOT-23-5, SOP-8, TO-92 and SOT-89) allow the designer the opportunity to select the proper package for their applications.

Block Diagram



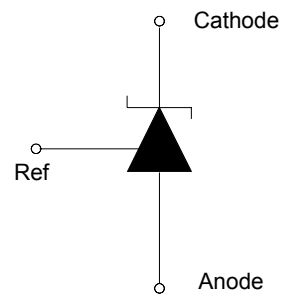
Features

- Low voltage operation (2.5V)
- Adjustable output voltage $V_0 = V_{REF}$ to 18V
- Wide operating current range $150\mu\text{A}$ to 90mA
- Low dynamic output impedance 0.08Ω (Typ.).
- Trimmed bandgap design up to + 0.5%.
- ESD rating is 6KV(Per MIL-STD-883D).
- RoHS Compliant and 100% Lead (Pb)-Free.

Application

- Linear Regulators
- Adjustable Supplies
- Switching Power Supplies
- Battery Operated Computers
- Instrumentation
- Computer Disk Drives

Symbol Diagram





Marking Information

Package	Marking	Production Batch Number	Lead-Free Package
SOT-23-3 SC59-3L	431x [•]	The last character is the batch number.	Lead-free package is indicated by a dot on top of the last character.
SOT-23-3	431Sx [•] (AMS431LV)		
SOT-23-5L	431x [•]		
SOP-8	AMS431LV XXXX-LF	XXXX is the batch number.	Lead-free package is indicated by LF after XXXX.
SOT-89	AMS431LV XXXX-LF		
TO-92	AMS431LV XXXX-LF		

Pin Configuration

SOT-23-3 SOT-23-3L (SC59-3L)	SOT-23-3 (Order as AMS431LV)	SOT-23-5L
SOP-8	TO-92 (Top View)	SOT-89



Absolute Maximum Ratings

Parameter	Symbol	Maximum	Units
Cathode Voltage	V_{KA}	18	V
Continuous Cathode Current	I_{KA}	90	mA
Reference Current	I_{REF}	1	mA
Operating Junction Temperature Range	T_J	150	°C
Storage Temperature Range	T_{STG}	-65 to 150	°C
Thermal Resistance	θ_{JA}	120 (SOT-89)	°C/W
		230 (SOT-23-3)	
		230 (SOT-23-5L)	
		150 (SOP-8)	
		220 (TO-92)	
Lead Temperature (Soldering) 10 seconds	T_{LEAD}	260	°C

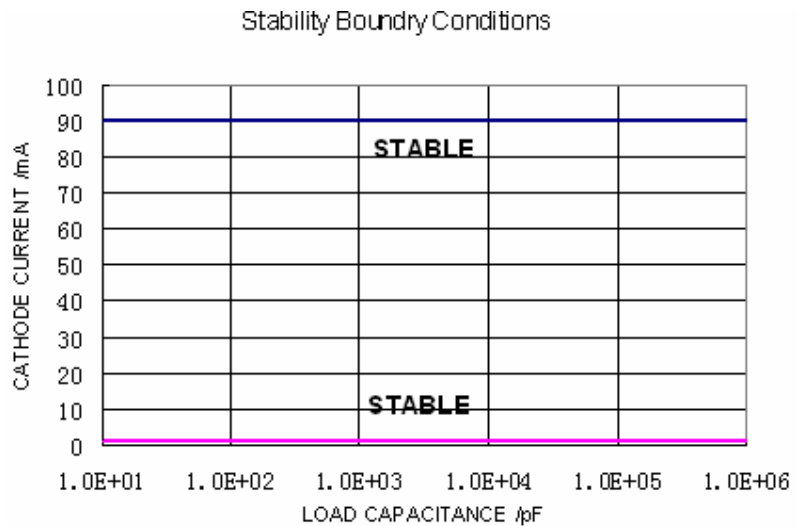
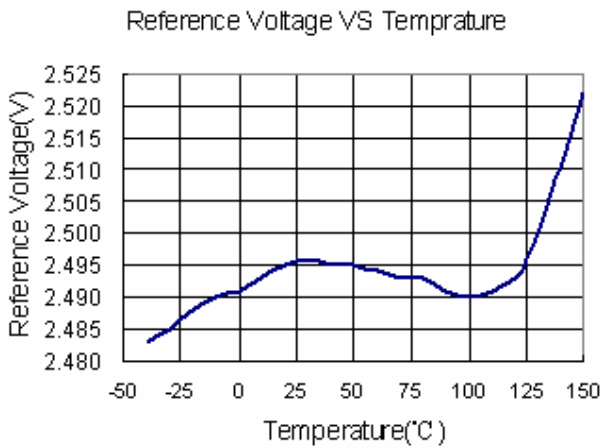
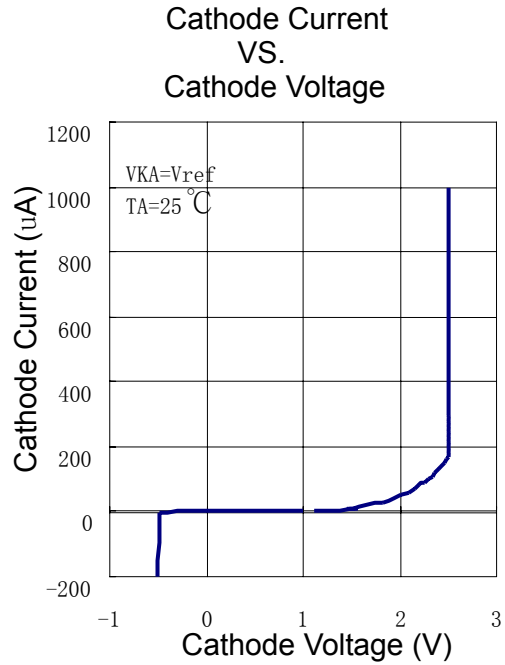
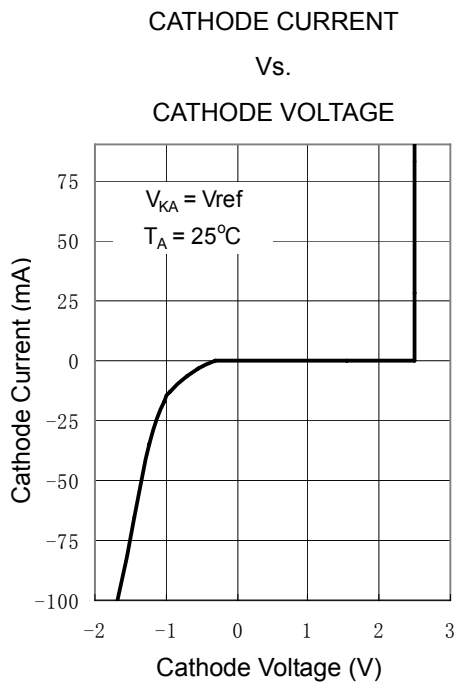
Electrical Characteristics

$T_A=25^\circ\text{C}$, unless otherwise specified.

PARAMETER		SYMBOL	TEST CIRCUIT	TEST CONDITIONS	MIN	TYP	MAX	UNIT
Reference Voltage	0.5%	V_{REF}	1	$V_{KA} = V_{REF}$, $I_{KA} = 10\text{mA}$	2483	2495	2507	mV
	1%				2470	2495	2520	
	2%				2445	2495	2545	
Deviation of reference voltage over full temperature range		$V_{I(dev)}$	1	$V_{KA} = V_{REF}$, $I_{KA} = 10\text{mA}$ $T_A = -40^\circ\text{C}$ to 125°C	--	-14	--	mV
Ratio of change in reference voltage to the change in cathode voltage		$\left \frac{\Delta V_{REF}}{\Delta V_{KA}} \right $	2	$I_{KA} = 3\text{mA}$, $\Delta V_{KA} = 10\text{V} - V_{REF}$	--	0.2	2.7	mV/V
Reference current		I_{REF}	2	$I_{KA} = 10\text{mA}$, $R1=10\text{k}\Omega$, $R2 = \infty$	--	0.3	4	μA
Deviation of Reference current over full temperature range		$I_{I(dev)}$	2	$I_{KA} = 10\text{mA}$, $R1=10\text{k}\Omega$, $R2 = \infty$, $T_A = 0^\circ\text{C}$ to 125°C	--	-0.13	--	μA
Minimum cathode current for regulation		I_{MIN}	1	$V_{KA} = V_{REF}$	--	0.15	0.3	mA
Off-state cathode current		I_{OFF}	3	$V_{KA} = 18\text{V}$, $V_{REF} = 0$	--	0.4	1	μA
Dynamic impedance		Z_{KA}	1	$I_{KA} = 1\text{mA}$ to 90mA , $V_{KA} = V_{REF}$, $f \leq 1\text{kHz}$	--	0.08	0.7	Ω

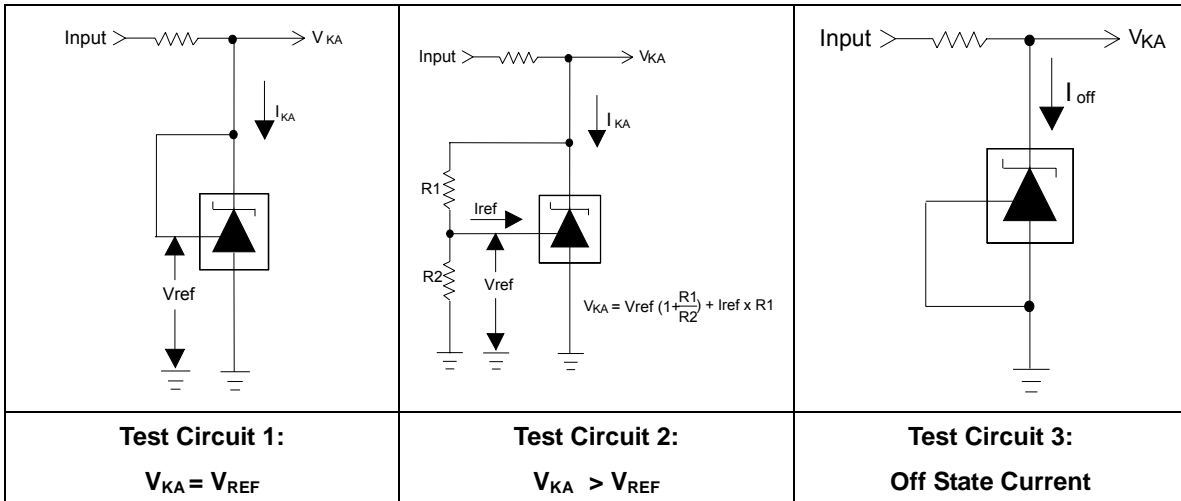


Typical Performance Characteristics

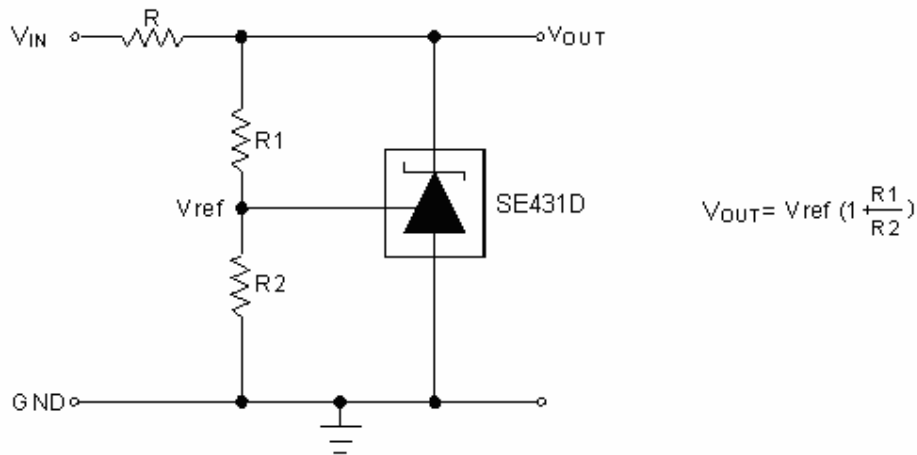




Test Circuits



Application Diagram



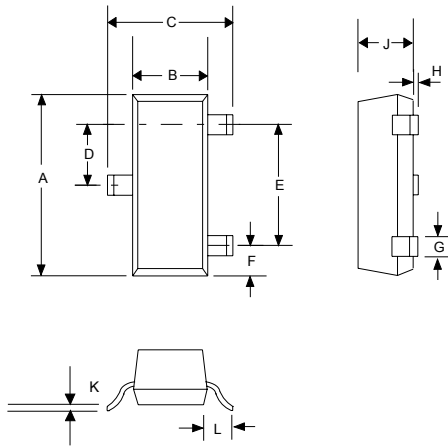
Thermal Consideration

Package	Power Rating ($T_A=25^\circ\text{C}$)	Power Rating ($T_A=50^\circ\text{C}$)	Power Rating ($T_A=70^\circ\text{C}$)
SOT-23-3 ($\theta_{JA}=230^\circ\text{C/W}$)	435mW	326mW	239mW
SOT-23-5L ($\theta_{JA}=230^\circ\text{C/W}$)	435mW	326mW	239mW
TO-92 ($\theta_{JA}=220^\circ\text{C/W}$)	455mW	341mW	250mW

1. Maximum junction temperature is 125°C
2. θ_{JA} is measured with packages mounted onboard under still-air condition with 1W power applied.
3. Power rating is calculated using $P_D = (T_J - T_A) / \theta_{JA}$, where T_J denotes junction temperature and T_A denotes ambient temperature.

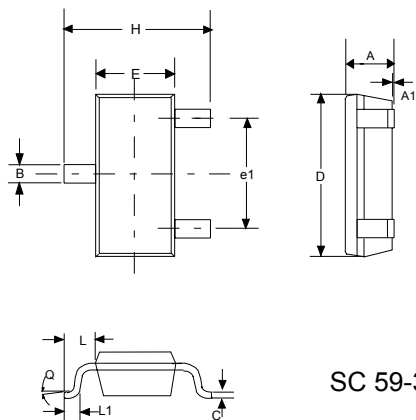


OUTLINE DRAWING SOT-23-3



DIMENSIONS				
DIM ^N	INCHES		MM	
	MIN	MAX	MIN	MAX
A	0.110	0.120	2.80	3.04
B	0.047	0.055	1.20	1.40
C	0.083	0.104	2.10	2.64
D	0.035	0.040	0.89	1.03
E	0.070	0.080	1.78	2.05
F	0.018	0.024	0.45	0.60
G	0.015	0.020	0.37	0.51
H	0.0005	0.004	0.013	0.10
J	0.034	0.040	0.887	1.02
K	0.003	0.007	0.085	0.18
L	-	0.027	-	0.69

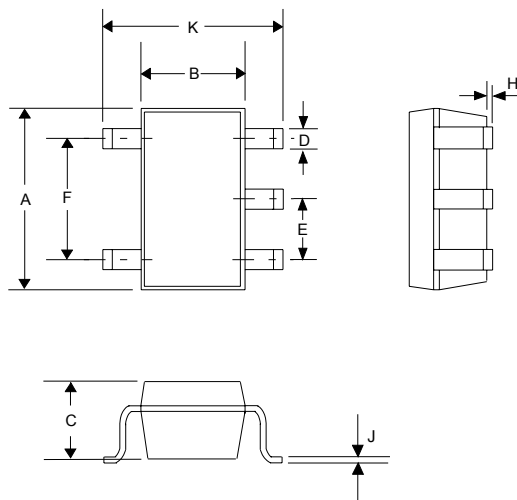
OUTLINE DRAWING SC59-3L (SOT-23-3L)



SC 59-3L

DIMENSIONS				
DIM ^N	INCHE		MM	
	MIN	MAX	MIN	MAX
A	0.035	0.043	0.90	1.10
A1	0.0004	0.005	0.01	0.13
B	0.012	0.020	0.30	0.50
C	0.004	0.008	0.09	0.20
D	0.110	0.122	2.80	3.10
H	0.098	0.122	2.50	3.10
E	0.059	0.067	1.50	1.70
e	0.037REF		0.95REF	
e1	0.075REF		1.90REF	
L1	0.008	0.022	0.20	0.55
L	0.014	0.031	0.35	0.80
Q	0°C	10°C	0°C	10°C

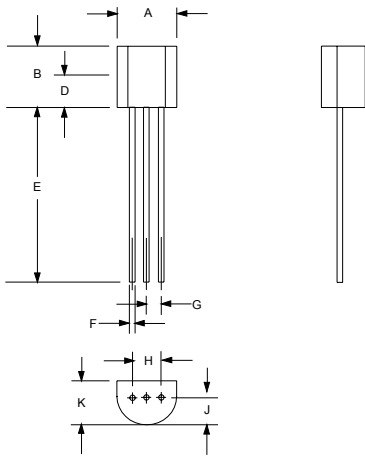
OUTLINE DRAWING SOT-23-5L



DIMENSIONS				
DIM ^N	INCHES		MM	
	MIN	MAX	MIN	MAX
A	0.110	0.120	2.80	3.05
B	0.059	0.070	1.50	1.75
C	0.036	0.051	0.90	1.30
D	0.014	0.020	0.35	0.50
E	-	0.037	-	0.95
F	-	0.075	-	1.90
H	-	0.006	-	0.15
J	0.0035	0.008	0.090	0.20
K	0.102	0.118	2.60	3.00

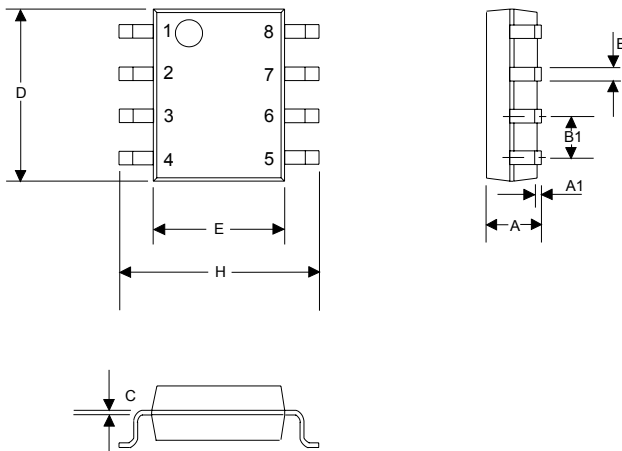


OUTLINE DRAWING TO-92



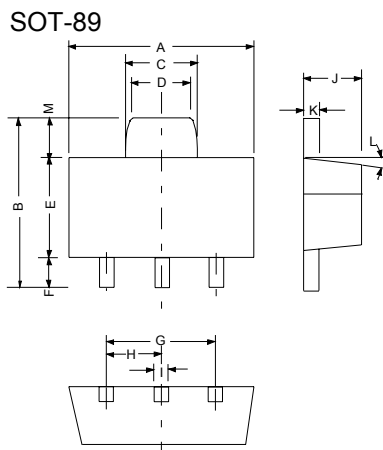
DIMENSIONS				
DIM ^N	INCHES		MM	
	MIN	MAX	MIN	MAX
A	0.175	0.205	4.445	5.207
B	0.170	0.210	4.318	5.334
E	0.500	0.610	12.70	15.50
F	0.016	0.021	0.407	0.533
G	0.045	0.055	1.143	1.397
H	0.095	0.105	2.413	2.667
J	0.080	0.105	2.032	2.667
K	0.125	0.165	3.175	4.191

OUTLINE DRAWING SOP-8



DIMENSIONS				
DIM ^N	INCHES		MM	
	MIN	MAX	MIN	MAX
A	0.0532	0.0688	1.35	1.75
A1	0.0040	0.0098	0.10	0.25
B	0.0130	0.0200	0.33	0.51
B1	0.050 BSC		1.27 BSC	
C	0.0075	0.0098	0.19	0.25
D	0.1890	0.1968	4.80	5.00
H	0.2284	0.2440	5.80	6.20
E	0.1497	0.1574	3.80	4.00

OUTLINE DRAWING SOT-89



DIMENSIONS				
DIM ^N	INCHES		MM	
	MIN	MAX	MIN	MAX
A	0.173	0.181	4.400	4.600
B	0.159	0.167	4.050	4.250
C	0.067	0.075	1.700	1.900
D	0.051	0.059	1.300	1.500
E	0.094	0.102	2.400	2.600
F	0.035	0.047	0.890	1.200
G	0.118REF		3.00REF	
H	0.059REF		1.50REF	
I	0.016	0.020	0.400	0.520
J	0.055	0.063	1.400	1.600
K	0.014	0.016	0.350	0.410
L	10° TYP		10° TYP	
M	0.028REF		0.70REF	



Disclaimer:

- AMS reserves the right to make changes to the information herein for the improvement of the design and performance without further notice! Customers should obtain the latest relevant information before placing orders and should verify that such information is complete and current.
- All semiconductor products malfunction or fail with some probability under special conditions. When using AMS products in system design or complete machine manufacturing, it is the responsibility of the buyer to comply with the safety standards strictly and take essential measures to avoid situations in which a malfunction or failure of such AMS products could cause loss of body injury or damage to property.
- AMS will supply the best possible product for customers!