

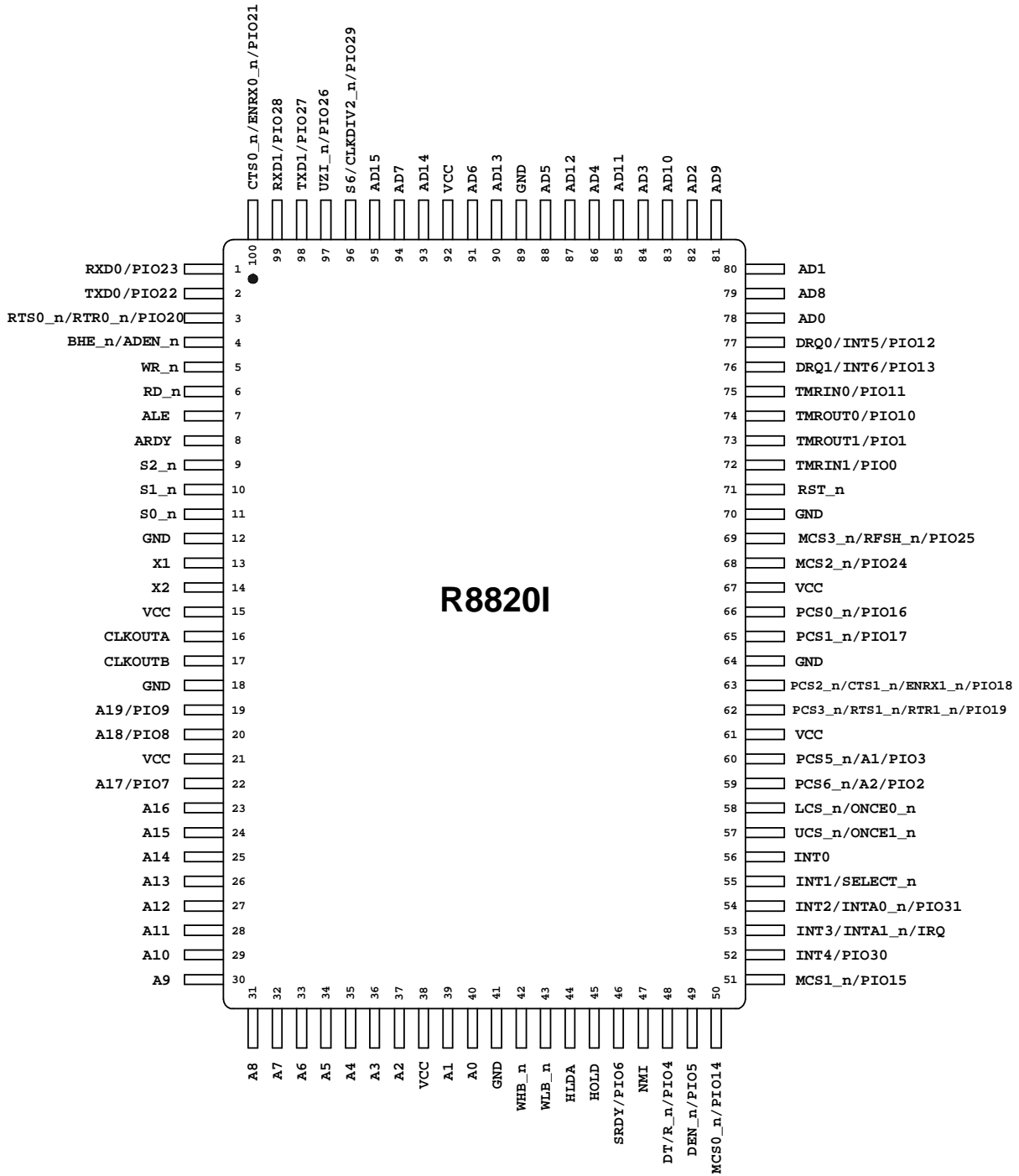
R8820I
Brief Sheet
16-BIT RISC MICRO CONTROLLER

1. Features

- I **CPU Core**
 - RDC's proprietary RISC architecture
 - Five-stage pipeline
 - CPU clock speed up to 25 MHz
 - Supports CPU ID
 - Supports 32 PIO pins
 - Static & synthesizable design
- I **Bus Interface**
 - A multiplexed address and data bus which is compatible with the 80C186 microprocessor
 - Supports a non-multiplexed address bus A[19:0]
- I **ROM/RAM Controller and Addressing Space**
 - 1M-byte memory address space
 - 64K-byte I/O space
- I **PSRAM Interface**
 - PSRAM (Pseudo static RAM) interface with auto-refresh control
- I **Two Independent DMA Channels**
 - Supports serial ports with DMA transfers
- I **Asynchronous Serial Channels**
 - Supports two asynchronous serial channels with hardware handshaking signals
- I **Interrupt Controller**
 - The interrupt controller with seven maskable external interrupts and one non-maskable external interrupt
- I **Programmable Chip-select Logic**
 - Programmable chip-select logic for memory or I/O bus cycle decoder
- I **Programmable Wait-state Generators**
- I **Counter/Timers**
 - Three independent 16-bit timers and one independent watchdog timer
- I **Software is compatible with the 80C186 microprocessor**
- I **Operating Voltage Range**
 - Core voltage: 5V ± 5%
 - I/O voltage: 5V ± 10%
- I **Operating Temperature: -40 ~ +85°C**
- I **Package Type**
 - 100-pin PQFP
 - 100-pin LQFP
- I **A Green Product**

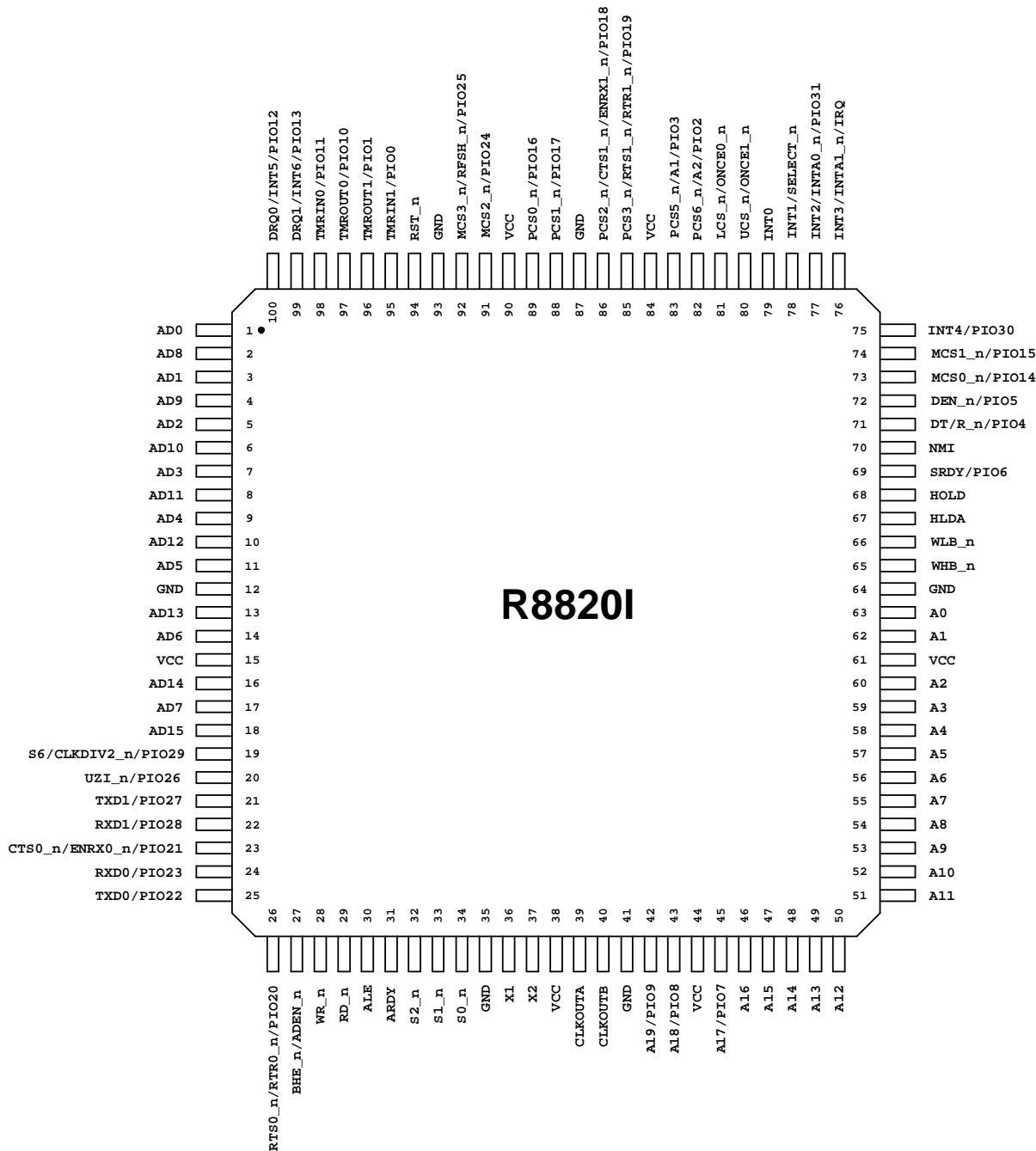
3. PIN Placement

3.1 PQFP 100 pins



Specifications subject to change without notice, contact your sales representatives for the most update information.

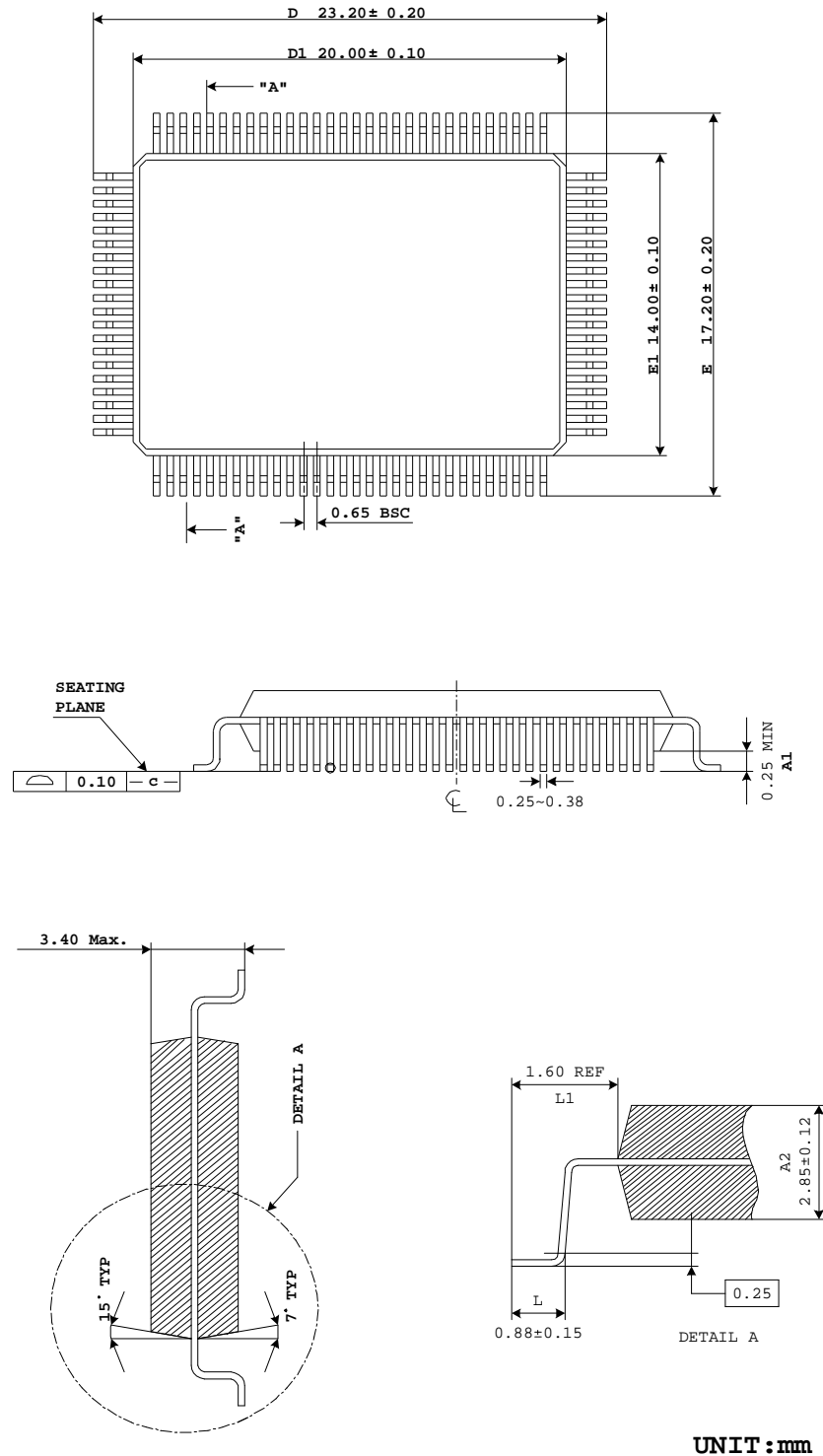
3.2 LQFP 100 pins



Specifications subject to change without notice, contact your sales representatives for the most update information.

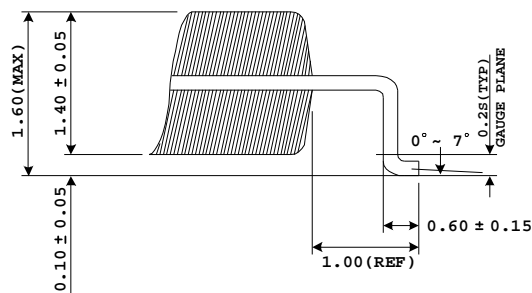
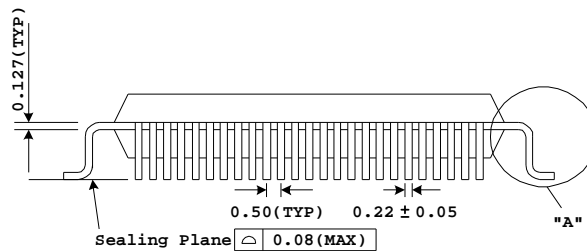
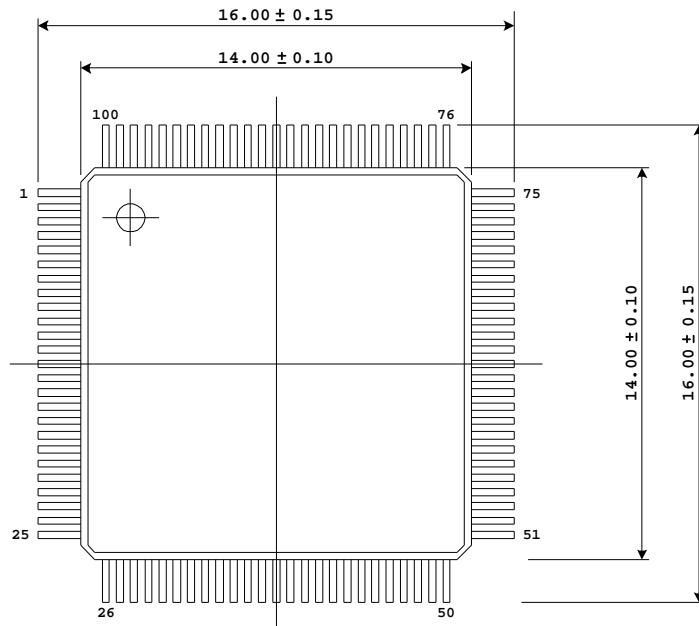
4. Package Information

4.1 PQFP 100 pins



Specifications subject to change without notice, contact your sales representatives for the most update information.

4.2 LQFP 100 pins



UNIT : mm

Specifications subject to change without notice, contact your sales representatives for the most update information.