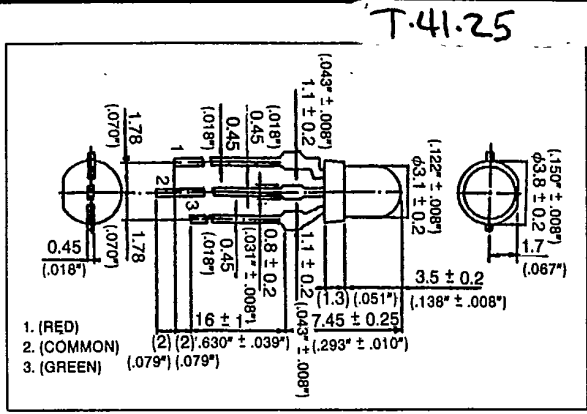


T-1 3 LEADED TRI-STATE LED LAMPS

FEATURES

- 3 leads allows for a multitude of hues.
- 2 colors in a 3mm package.
- Saves space and labor.
- Excellent brightness.



MAXIMUM RATINGS (Ta = 25°C)

PART NO.	FORWARD CURRENT (IF) (mA)	REVERSE VOLTAGE (VR) (V)	POWER DISSIPATION (PD) (mW)	OPERATING TEMPERATURE (TOPP) (°C)	STORAGE TEMPERATURE (TSTG) (°C)
MT2601-HRG(HR)	25	4	75	-20 ~ 75	-30 ~ 100
(G)	25	4	75	-20 ~ 75	-30 ~ 100

OPTO-ELECTRICAL CHARACTERISTICS (Ta = 25°C)

PART NO.	MATERIAL	LENS COLOR	VIEWING ANGLE	LUMINOUS INTENSITY (mcd)		FORWARD VOLTAGE (V)			REVERSE CURRENT		PEAK WAVELENGTH (nm)	SPEC. LINE HALF WIDTH (nm)	
				typ.	min.	typ.	max.	@ mA	µA	Vr			
MT2601-HRG(HR)	GaAsP/GaP	Milky/Diff	70°	2.5	5.0	10	2.1	2.8	20	100	4	635	40
(G)	GaP/GaP	Milky/Diff	70°	2.5	4.5	10	2.1	2.8	20	100	4	665	25

marktech 120 Broadway • Menands, New York 12204 • (518) 436-5865 • FAX: (518) 436-5877