

FC SERIES INPUT SELECTOR

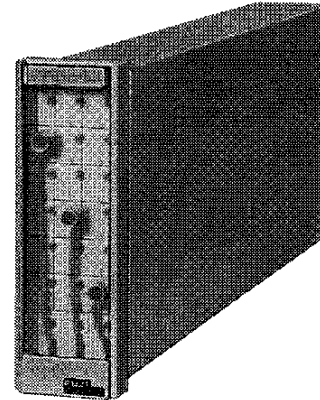
DATA SHEET

PFC

The FC SERIES input selector accepts up to 18 points of Standardized voltage signals (DC1 ~ 5V) or other DC voltage signals, and by means of 2 or 3-point selecting plugs, the inputs are selected and output — it is thus a pinboard selector. Using this selector in combination with the self-balancing recorder (Type PFA) enables trend recording.

FEATURES

1. Since it is a pinboard type, up to 18 input points can be arbitrarily selected. And there is no mutual interference between the selected points.
2. When not used for input selection, it can be used for supplying a stand-by output to prevent over-scaling of a recorder or indicator.
3. Plugs, jacks and connectors are gold-plated and rhodium-plated, which provides a stable contact resistance.



SPECIFICATIONS

Models available: 2-output and 3-output models

Color coding of plugs:

Color of plugs: 1st output ... red, 2nd output ... green, 3rd output ... blue.

Number of input points:

18

Input signal: Less than DC 30V

Allowable input/output current:

Less than 1A

Stand-by output: DC 1V (output resistance approx. 500Ω) or 0V (short circuit)

External wiring connection method A:

Stranded-wire crimp and insertion-type connector
 Contacts (MCP-F113, 45 psc)
 Insulation (MCP-45F01)
 Vertical A-type case (MCP-45LSA)
 Applicable wires

Supplied as accessories

Wire size (AWG)	Conductor sectional area	Insulator outer dia.
#20	0.52mm ²	φ 1.9mm
#22	0.33mm ²	φ 1.7mm

External wiring connection method B:

Soldering connector (MC-45LSAFG), supplied as accessory

Power supply: DC 24V (20 ~ 30V) or AC 100V±15% 50/60 Hz; only when stand-by output (1V DC) provided

Power consumption:

Approx. 0.2W at DC 24V,
 approx. 2VA at AC 100V

Withstand voltage:

AC 500V (with DC source) for 1 minute, and AC 1000V (with AC source) for 1 minute between power supply and ground and between power supply and input
 AC 500V for 1 minute between input and ground and between inputs

Insulation resistance:

20 MΩ or more at DC 500V between each terminal and ground

Ambient temperature:

-10 ~ 50°C

Ambient humidity:

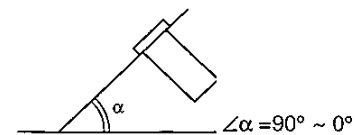
Less than 90% RH

Housing: Steel case

Finish color: Munsell 7Y 7.3/1.4 (case and front frame)

Mounting method:

Panel flush-mounting (mounting angle is not restricted)



External dimension (HxWxD):

144x48x400 mm

Mass {weight}: Approx. 2.5 kg

Scope of delivery:

Input selector, mounting bracket and external wiring connector

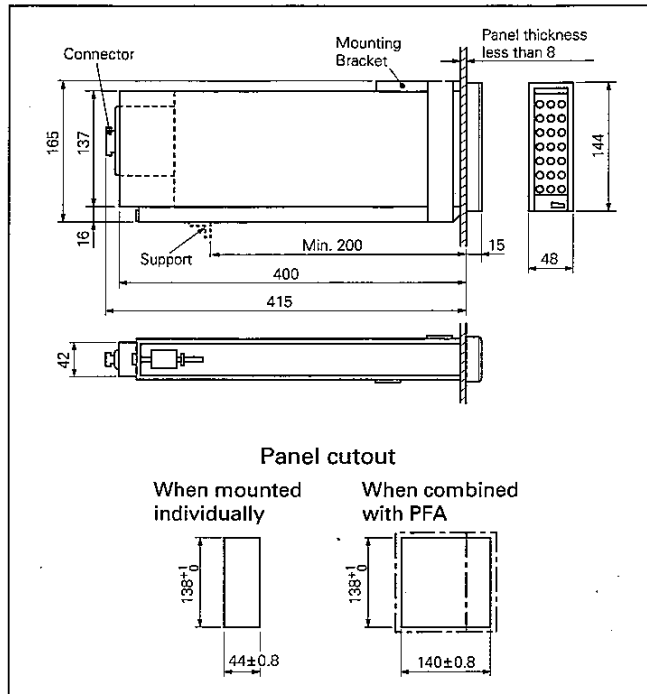
CODE SYMBOLS

1	2	3	4	5	6	7	8	Description
P	F	C					1	Type
	2							2 outputs
	3							3 outputs
	0							Stand-by output 0V (internal short-circuit)
	1							DC1V
	A							External wiring connection method Solderless connector (Note)
	B							Soldering connector
	0							Power supply None (stand-by output 0V)
	1							DC 24V
	3							AC 100V 50/60Hz

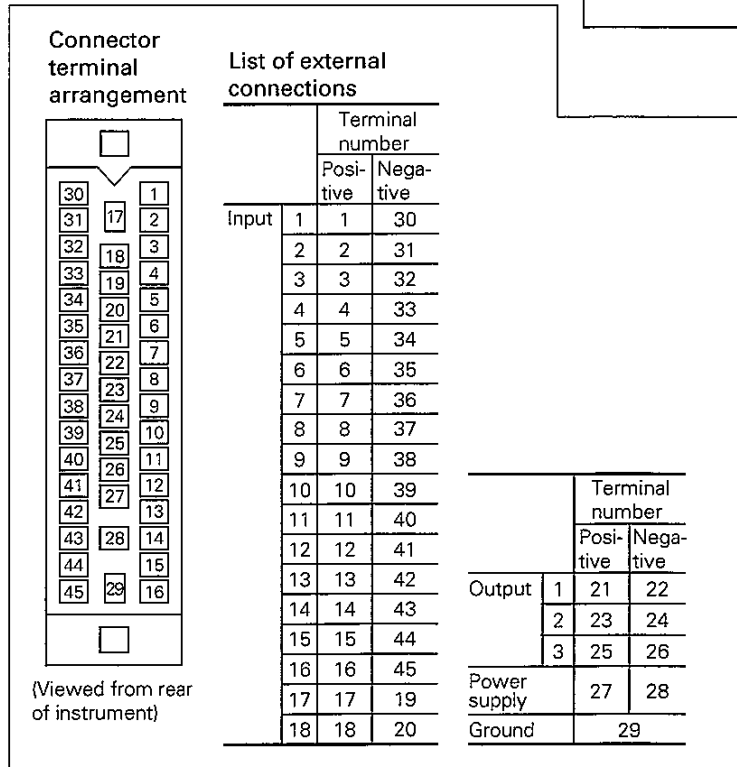
Note) With the external wiring connection method A: crimp and insertion type, the following crimping tool is necessary. If such tool is not available, then method B: soldering type should be specified.

Crimping tool: KP-300A Product of Honda Tsushin Kogyo, Japan

OUTLINE DIAGRAM (Unit:mm)



CONNECTION DIAGRAMS



RELATED DEVICES

Self-balancing recorder (PFA)

ORDERING INFORMATION

1. Product name
2. Type (Code symbols)
3. Other necessary information

⚠ Caution on Safety

*Before using this product, be sure to read its instruction manual in advance.

Fuji Electric Systems Co., Ltd.

Head office
6-17, Sanbancho, Chiyoda-ku, Tokyo 102-0075, Japan
<http://www.fesys.co.jp>

Fuji Electric Instruments Co., Ltd.

Sales Div. International Sales Dept.
No.1, Fuji-machi, Hino-city, Tokyo, 191-8502 Japan
Phone: 81-42-585-6201, 6202
Fax: 81-42-585-6187
<http://www.fic-net.co.jp>