

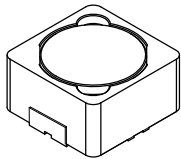
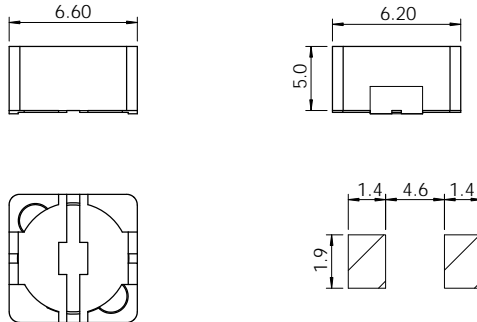
Part	L (μ H)	Tol %	R _{DC} MAX (Ω)	I _{bc} (A)
CDRH64B-100	10 @ 2.52 MHz	M	0.12	1.35
CDRH64B-120	12 @ 2.52 MHz	M	0.13	1.22
CDRH64B-150	15 @ 2.52 MHz	M	0.18	1.11
CDRH64B-180	18 @ 2.52 MHz	M	0.24	1.02
CDRH64B-220	22 @ 2.52 MHz	M	0.27	0.91
CDRH64B-270	27 @ 2.52 MHz	M	0.3	0.82
CDRH64B-330	33 @ 2.52 MHz	M	0.33	0.74
CDRH64B-390	39 @ 2.52 MHz	M	0.37	0.69
CDRH64B-470	47 @ 2.52 MHz	M	0.52	0.62
CDRH64B-560	56 @ 2.52 MHz	M	0.56	0.58
CDRH64B-680	68 @ 2.52 MHz	M	0.63	0.51
CDRH64B-820	82 @ 2.52 MHz	M	0.71	0.46
CDRH64B-101	100 @ 1.0 kHz	M	1.03	0.42
CDRH64B-121	120 @ 1.0 kHz	M	1.15	0.38
CDRH64B-151	150 @ 1.0 kHz	M	1.68	0.35
CDRH64B-181	180 @ 1.0 kHz	M	1.87	0.32
CDRH64B-221	220 @ 1.0 kHz	M	2.08	0.29
CDRH64B-271	270 @ 1.0 kHz	M	2.37	0.26
CDRH64B-331	330 @ 1.0 kHz	M	2.67	0.23
CDRH64B-391	390 @ 1.0 kHz	M	2.94	0.22
CDRH64B-471	470 @ 1.0 kHz	M	3.93	0.2
CDRH64B-561	560 @ 1.0 kHz	M	5.43	0.18
CDRH64B-681	680 @ 1.0 kHz	M	7.32	0.17
CDRH64B-821	820 @ 1.0 kHz	M	8.24	0.15
CDRH64B-102	1000 @ 1.0 kHz	M	9.26	0.14

SPECIFICATION

TYPE = CDRH64B
CONSTRUCTION = SURFACE MOUNT POWER INDUCTOR
TERMINAL COATING = NICKEL / SILVER
OPERATING TEMP. = -40 TO +85 °C
STORAGE TEMP = -55 TO +125 °C
INSULATION RESISTANCE = 100MOhm, 100V TERMINAL-CORE
DIELECTRIC STRENGTH = 250Vac TERMINAL-CORE
HUMIDITY EFFECTS = L±5 @ 95%RH, 40 °C, 1HR
= Q±5 @ 95%RH, 40 °C, 1HR
PACKAGING = 1000PCS/REEL
MARKING = 3 CHARACTERS, VALUE

NOTE

TOLERANCES L=15%; M=20%; N=30%



PROPRIETARY AND CONFIDENTIAL THE INFORMATION CONTAINED IN THIS DRAWING IS THE SOLE PROPERTY OF AIT COMPONENTS LTD. ANY REPRODUCTION IN PART OR AS A WHOLE WITHOUT THE WRITTEN PERMISSION OF AIT COMPONENTS LTD IS STRICTLY PROHIBITED.	DRAWN	NAME	DATE	AIT COMPONENTS LTD www.aitcomponents.com
	CHECKED			
	ENG APPR			
	UNLESS OTHERWISE SPECIFIED DIMENSIONS ARE IN MILLIMETERS TOLERANCES: ONE PLACE DECIMAL +/-0.3 TWO PLACE DECIMAL +/-0.13 ANGLE +/-1 DEGREE			
MATERIAL	--	TITLE: CDRH64B SMD POWER INDUCTOR		REV: 00
FINISH	--	DO NOT SCALE DRAWING		SCALE: 1:1 DWG. NO.: CDRH64B SMD POWER INDUCTOR SHEET 1 OF 1