

Power Inductor CDRH60D28/A



■ Features

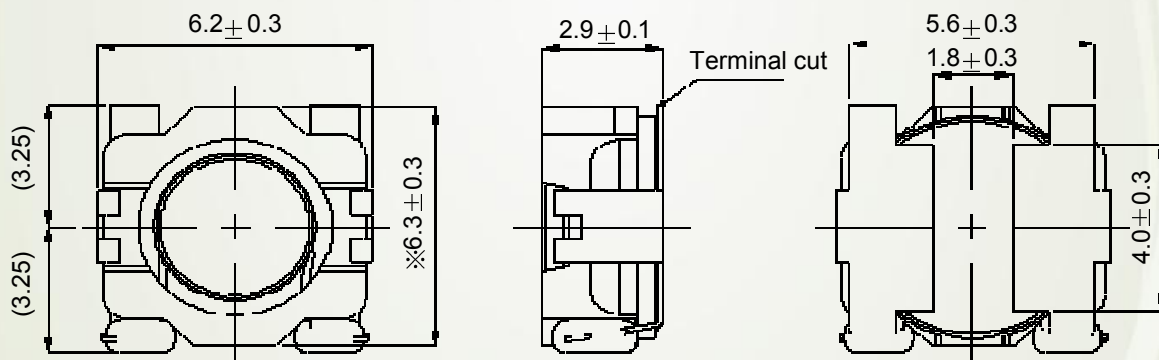
- ⊙ Magnetically shielded construction.
- ⊙ Storage temperature range: $-40^{\circ}\text{C}\sim+85^{\circ}\text{C}$.
- ⊙ Operating temperature range: $-40^{\circ}\text{C}\sim+125^{\circ}\text{C}$
(Not including coil's self-heat).
- ⊙ RoHS Compliance and Halogen Free.

■ Applications

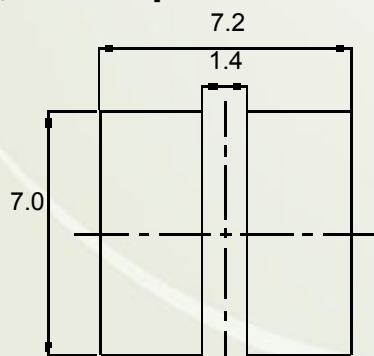
High temperature product, Used in automotive.

■ Dimensions/Recommended Land Patterns (mm)

◆ Dimensions



◆ Land pattern



Power Inductor CDRH60D28/A



■ Electrical Characteristics specification.

Part No. ※	Stamp	Inductance (μ H) ※1	D.C.R.(m Ω) Max. (Typ.) (at 20°C)	Rated Current (A) ※2 (at 125°C)
CDRH60D28ANP-4R7NC	A	4.7 \pm 30%	64(51)	1.70
CDRH60D28ANP-6R8NC	B	6.8 \pm 30%	95(76)	1.36
CDRH60D28ANP-100NC	C	10 \pm 30%	138(110)	1.11
CDRH60D28ANP-150NC	D	15 \pm 30%	169(135)	0.95
CDRH60D28ANP-220NC	E	22 \pm 30%	255(204)	0.75
CDRH60D28ANP-330NC	F	33 \pm 30%	392(313)	0.64
CDRH60D28ANP-470NC	G	47 \pm 30%	489(391)	0.52
CDRH60D28ANP-680NC	H	68 \pm 30%	774(619)	0.42

※1. Measuring conditions: at 100 KHz, 1.0V

※2. Rated current: The DC current at which the inductance decreases to 65% of its nominal value or when $\Delta t=30^{\circ}\text{C}$, whichever is lower ($T_a=20^{\circ}\text{C}$).

For More Information

Hong Kong

Tel.+852-2880-6688
FAX.+852-2565-9600

Tokyo

Tel.+81-3-5202-7112
FAX.+81-3-5202-7105

Chicago

Tel.+1-847-545-6700
FAX. +1-847-545-6720

Shanghai

Tel.+86-021-5836-3299
FAX.+86-021-5836-3266

Seoul

Tel.+82-2-6237-0777
FAX.+82-2-6237-0778

Obernzell

Tel.+49-8591-937-0
FAX. +49-8591-937-103

Shenzhen

Tel.+86-755-8291-0228
FAX.+86-755-8291-0338

Singapore

Tel.+65-6296-3388
FAX.+65-6296-3390

Neumarkt

Tel.+49-9181-4509-110
FAX. +49-9181-4509-310

Taipei

Tel.+886-2-8751-2737
FAX.+886-2-8751-2738

San Jose

Tel.+1-408-321-9660
FAX.+1-408-321-9308