

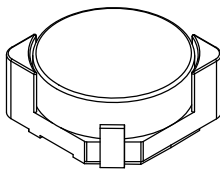
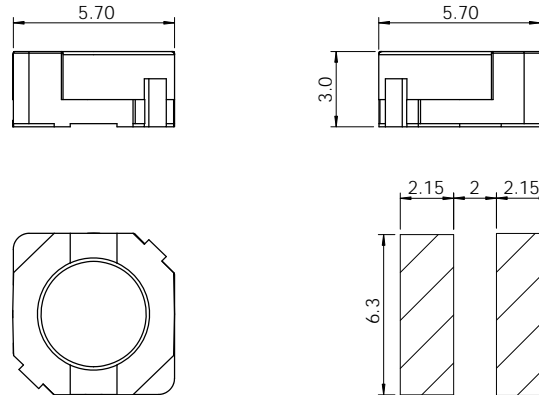
| Part | L (μ H) | Tol % | R_{dc} | I_{bc} |
|--------------|-----------------|----------|---------------------|--------------|
| | | | MAX (Ω) | I_n (A) |
| CDRH5D28-2R6 | 2.6uH @ 10kHz | N | 0.018 | 2.6 |
| CDRH5D28-3R0 | 3.0uH @ 10kHz | N | 0.024 | 2.4 |
| CDRH5D28-4R2 | 4.2uH @ 10kHz | N | 0.031 | 2.2 |
| CDRH5D28-5R3 | 5.3uH @ 10kHz | N | 0.038 | 1.9 |
| CDRH5D28-6R2 | 6.2uH @ 10kHz | N | 0.045 | 1.8 |
| CDRH5D28-8R2 | 8.2uH @ 10kHz | N | 0.053 | 1.6 |
| CDRH5D28-100 | 10uH @ 10kHz | N | 0.065 | 1.3 |
| CDRH5D28-120 | 12uH @ 10kHz | N | 0.076 | 1.2 |
| CDRH5D28-150 | 15uH @ 10kHz | N | 0.103 | 1.1 |
| CDRH5D28-180 | 18uH @ 10kHz | N | 0.11 | 1 |
| CDRH5D28-220 | 22uH @ 10kHz | N | 0.122 | 0.9 |
| CDRH5D28-270 | 27uH @ 10kHz | N | 0.175 | 0.85 |
| CDRH5D28-330 | 33uH @ 10kHz | N | 0.189 | 0.75 |
| CDRH5D28-390 | 39uH @ 10kHz | N | 0.212 | 0.7 |
| CDRH5D28-470 | 47uH @ 10kHz | N | 0.26 | 0.62 |
| CDRH5D28-560 | 56uH @ 10kHz | N | 0.305 | 0.58 |
| CDRH5D28-680 | 68uH @ 10kHz | N | 0.355 | 0.52 |
| CDRH5D28-820 | 82uH @ 10kHz | N | 0.463 | 0.46 |
| CDRH5D28-101 | 100uH @ 10kHz | N | 0.52 | 0.42 |

SPECIFICATION

TYPE = CDRH5D28
CONSTRUCTION = SURFACE MOUNT POWER INDUCTOR
TERMINAL COATING = NICKEL / SILVER
OPERATING TEMP. = -40 TO +85°C
STORAGE TEMP = -55 TO +125°C
INSULATION RESISTANCE = 100M Ω m, 100V TERMINAL-CORE
DIELECTRIC STRENGTH = 250Vac TERMINAL-CORE
HUMIDITY EFFECTS = L \pm 5 @ 95%RH, 40°C, 1HR
= Q \pm 5 @ 95%RH, 40°C, 1HR
PACKAGING = 2000PCS/REEL
MARKING = 3 CHARACTERS, VALUE

NOTE

TOLERANCES L=15%; M=20%; N=30%



| | | | | | |
|--|----------|------|---|---|--|
| PROPRIETARY AND CONFIDENTIAL THE INFORMATION CONTAINED IN THIS DRAWING IS THE SOLE PROPERTY OF AIT COMPONENTS LTD. ANY REPRODUCTION IN PART OR AS A WHOLE WITHOUT THE WRITTEN PERMISSION OF AIT COMPONENTS LTD IS STRICTLY PROHIBITED. | DRAWN | NAME | DATE | AIT COMPONENTS LTD www.aitcomponents.com | |
| | CHECKED | | | | |
| | MATERIAL | -- | UNLESS OTHERWISE SPECIFIED DIMENSIONS ARE IN MILLIMETERS TOLERANCES: ONE PLACE DECIMAL +/-0.3 TWO PLACE DECIMAL +/-0.13 ANGLE +/-1 DEGREE | | TITLE: CDRH6D28 SMD POWER INDUCTOR |
| | FINISH | -- | DO NOT SCALE DRAWING | SIZE A DWG. NO. CDRH6D28 SMD POWER INDUCTOR SCALE:1:1 | REV. 00 SHEET 1 OF 1 |