

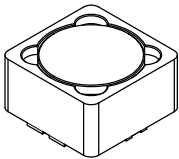
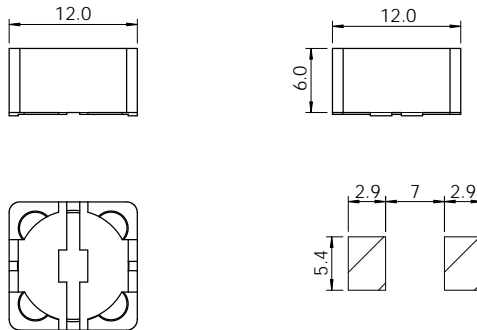
| Part | L (μ H) | Tol % | R _{dc} | I _{bc} |
|-------------|-----------------|----------|---------------------|-----------------------|
| | | | MAX (Ω) | I _n (A) |
| CDRH125-2R1 | 2.1 @ 100 kHz | M | 0.02 | 7 |
| CDRH125-3R1 | 3.1 @ 100 kHz | M | 0.02 | 6 |
| CDRH125-4R4 | 4.4 @ 100 kHz | M | 0.02 | 5 |
| CDRH125-5R8 | 5.8 @ 100 kHz | M | 0.02 | 4.4 |
| CDRH125-7R5 | 7.5 @ 100 kHz | M | 0.02 | 4.2 |
| CDRH125-100 | 10 @ 1.0 kHz | M | 0.03 | 4 |
| CDRH125-150 | 15 @ 1.0 kHz | M | 0.03 | 3.3 |
| CDRH125-180 | 18 @ 1.0 kHz | M | 0.04 | 3 |
| CDRH125-220 | 22 @ 1.0 kHz | M | 0.04 | 2.8 |
| CDRH125-330 | 33 @ 1.0 kHz | L,M | 0.06 | 2.1 |
| CDRH125-390 | 39 @ 1.0 kHz | L,M | 0.07 | 2 |
| CDRH125-470 | 47 @ 1.0 kHz | L,M | 0.08 | 1.8 |
| CDRH125-560 | 56 @ 1.0 kHz | L,M | 0.11 | 1.7 |
| CDRH125-680 | 68 @ 1.0 kHz | L,M | 0.12 | 1.5 |
| CDRH125-820 | 82 @ 1.0 kHz | L,M | 0.14 | 1.4 |
| CDRH125-101 | 100 @ 1.0 kHz | L,M | 0.16 | 1.3 |
| CDRH125-121 | 120 @ 1.0 kHz | L,M | 0.17 | 1.1 |
| CDRH125-151 | 150 @ 1.0 kHz | L,M | 0.23 | 1 |
| CDRH125-181 | 180 @ 1.0 kHz | L,M | 0.29 | 0.9 |
| CDRH125-221 | 220 @ 1.0 kHz | L,M | 0.4 | 0.8 |
| CDRH125-271 | 270 @ 1.0 kHz | L,M | 0.46 | 0.75 |
| CDRH125-331 | 330 @ 1.0 kHz | L,M | 0.51 | 0.68 |
| CDRH125-471 | 470 @ 1.0 kHz | L,M | 0.77 | 0.58 |
| CDRH125-561 | 560 @ 1.0 kHz | L,M | 0.86 | 0.54 |
| CDRH125-681 | 680 @ 1.0 kHz | L,M | 1.2 | 0.48 |
| CDRH125-821 | 820 @ 1.0 kHz | L,M | 1.34 | 0.43 |
| CDRH125-102 | 102 @ 1.0 kHz | L,M | 1.53 | 0.4 |

SPECIFICATION

TYPE = CDRH125
CONSTRUCTION = SURFACE MOUNT POWER INDUCTOR
TERMINAL COATING = NICKEL / SILVER
OPERATING TEMP. = -40 TO +85 °C
STORAGE TEMP = -55 TO +125 °C
INSULATION RESISTANCE = 100MOhm, 100V TERMINAL-CORE
DIELECTRIC STRENGTH = 250Vac TERMINAL-CORE
HUMIDITY EFFECTS = L±5 @ 95%RH, 40 °C, 1HR
 Q±5 @ 95%RH, 40 °C, 1HR
PACKAGING = 500PCS/REEL
MARKING = 3 CHARACTERS, VALUE

NOTE

TOLERANCES L=15%; M=20%; N=30%



| | | | | |
|--|---|--|------|---|
| PROPRIETARY AND CONFIDENTIAL THE INFORMATION CONTAINED IN THIS DRAWING IS THE SOLE PROPERTY OF AIT COMPONENTS LTD. ANY REPRODUCTION IN PART OR AS A WHOLE WITHOUT THE WRITTEN PERMISSION OF AIT COMPONENTS LTD IS STRICTLY PROHIBITED. | DRAWN | NAME | DATE | AIT COMPONENTS LTD www.aitcomponents.com |
| | CHECKED | | | |
| | ENG APPR | | | |
| | UNLESS OTHERWISE SPECIFIED DIMENSIONS ARE IN MILLIMETERS TOLERANCES: ONE PLACE DECIMAL +/-0.3 TWO PLACE DECIMAL +/-0.13 ANGLE +/-1 DEGREE | | | |
| MATERIAL | -- | TITLE: CDRH125 SMD POWER INDUCTOR | | REV: 00 |
| FINISH | -- | DO NOT SCALE DRAWING | | SCALE: 1:1 DWG. NO.: CDRH125 SMD POWER INDUCTOR SHEET 1 OF 1 |