

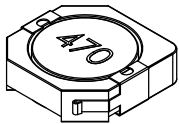
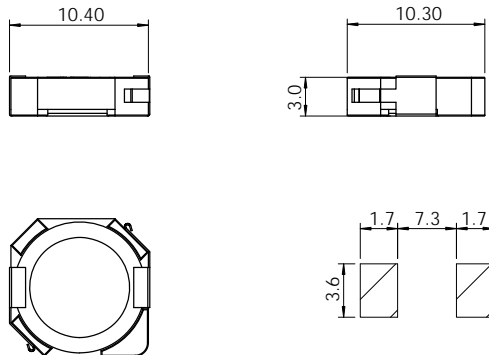
Part	L (μ H)	Tol %	R _{dc} MAX (m Ω)	I _{bc} (A)
CDRH103R-100	10 @ 100kHz	N	58.1	2.7
CDRH103R-120	12 @ 100kHz	N	72.1	2.3
CDRH103R-150	15 @ 100kHz	N	86.5	2.2
CDRH103R-180	18 @ 100kHz	N	116.1	1.9
CDRH103R-220	22 @ 100kHz	N	145.4	1.8
CDRH103R-270	27 @ 100kHz	N	175.9	1.6
CDRH103R-330	33 @ 100kHz	N	213.4	1.2
CDRH103R-390	39 @ 100kHz	N	268.9	1.3
CDRH103R-470	47 @ 100kHz	N	298.6	1.2
CDRH103R-560	56 @ 100kHz	N	335.8	1.1
CDRH103R-680	68 @ 100kHz	N	451.3	1
CDRH103R-820	82 @ 100kHz	N	513.8	0.9
CDRH103R-101	100 @ 100kHz	N	700	0.8
CDRH103R-121	120 @ 100kHz	N	765	0.8
CDRH103R-151	150 @ 100kHz	N	876.3	0.7

SPECIFICATION

TYPE = CDRH103R
CONSTRUCTION = SURFACE MOUNT POWER INDUCTOR
TERMINAL COATING = NICKEL / SILVER
OPERATING TEMP. = -40 TO +85 °C
STORAGE TEMP = -55 TO +125 °C
INSULATION RESISTANCE = 100M Ω m, 100V TERMINAL-CORE
DIELECTRIC STRENGTH = 250Vac TERMINAL-CORE
HUMIDITY EFFECTS = L \pm 5 @ 95%RH, 40 °C, 1HR
= Q \pm 5 @ 95%RH, 40 °C, 1HR
PACKAGING = 1000PCS/REEL
MARKING = 3 CHARACTERS, VALUE

NOTE

TOLERANCES L=15%; M=20%; N=30%



PROPRIETARY AND CONFIDENTIAL THE INFORMATION CONTAINED IN THIS DRAWING IS THE SOLE PROPERTY OF AIT COMPONENTS LTD. ANY REPRODUCTION IN PART OR AS A WHOLE WITHOUT THE WRITTEN PERMISSION OF AIT COMPONENTS LTD IS STRICTLY PROHIBITED.	DRAWN	NAME	DATE	AIT COMPONENTS LTD www.aitcomponents.com
	CHECKED			
	ENG APPR			
	UNLESS OTHERWISE SPECIFIED DIMENSIONS ARE IN MILLIMETERS TOLERANCES: ONE PLACE DECIMAL +/-0.3 TWO PLACE DECIMAL +/-0.13 ANGLE +/-1 DEGREE			
MATERIAL	--	DO NOT SCALE DRAWING		TITLE: CDRH103R SMD POWER INDUCTOR
FINISH	--	SIZE A	DWG. NO. CDRH103R SMD POWER INDUCTOR	REV. 00
			SCALE:1:1	SHEET 1 OF 1