

74F148 8-Line to 3-Line Priority Encoder

General Description

The F148 provides three bits of binary coded output representing the position of the highest order active input, along with an output indicating the presence of any active input. It is easily expanded via input and output enables to provide priority encoding over many bits.

Features

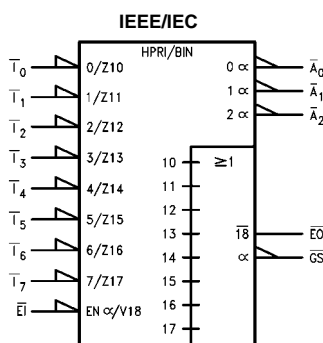
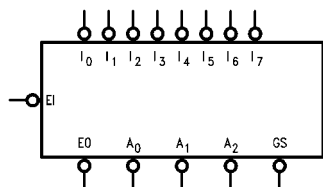
- Encodes eight data lines in priority
- Provides 3-bit binary priority code
- Input enable capability
- Signals when data is present on any input
- Cascadable for priority encoding of n bits

Ordering Code:

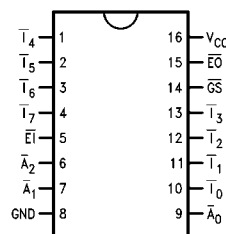
Order Number	Package Number	Package Description
74F148SC	M16A	16-Lead Small Outline Integrated Circuit (SOIC), JEDEC MS-012, 0.150 Narrow
74F148SJ	M16D	16-Lead Small Outline Package (SOP), EIAJ TYPE II, 5.3mm Wide
74F148PC	N16E	16-Lead Plastic Dual-In-Line Package (PDIP), JEDEC MS-001, 0.300 Wide

Devices also available in Tape and Reel. Specify by appending the suffix letter "X" to the ordering code.

Logic Symbols



Connection Diagram



Truth Table

EI	Inputs								Outputs				
	\bar{I}_0	\bar{I}_1	\bar{I}_2	\bar{I}_3	\bar{I}_4	\bar{I}_5	\bar{I}_6	\bar{I}_7	GS	\bar{A}_0	\bar{A}_1	\bar{A}_2	EO
H	X	X	X	X	X	X	X	X	H	H	H	H	H
L	H	H	H	H	H	H	H	H	H	H	H	H	L
L	X	X	X	X	X	X	X	L	L	L	L	L	H
L	X	X	X	X	X	X	L	H	L	H	L	L	H
L	X	X	X	X	X	L	H	H	L	L	H	L	H
L	X	X	X	L	H	H	H	H	L	L	L	H	H
L	X	X	L	H	H	H	H	H	L	H	L	H	H
L	X	L	H	H	H	H	H	H	L	L	H	H	H
L	L	H	H	H	H	H	H	H	L	H	H	H	H

H = HIGH Voltage Level
L = LOW Voltage Level
X = Immaterial

Unit Loading/Fan Out

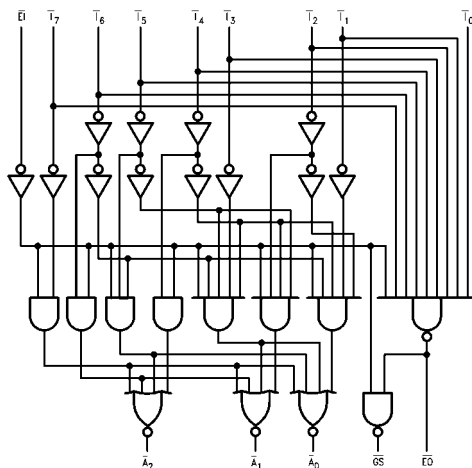
Pin Names	Description	U.L.	
		HIGH/LOW	Input I_{IH}/I_{IL} Output I_{OH}/I_{OL}
\bar{I}_0	Priority Input (Active LOW)	1.0/1.0	20 μ A/-0.6 mA
\bar{I}_1 - \bar{I}_7	Priority Inputs (Active LOW)	1.0/2.0	20 μ A/-1.2 mA
$\bar{E}I$	Enable Input (Active LOW)	1.0/1.0	20 μ A/-0.6 mA
$\bar{E}O$	Enable Output (Active LOW)	50/33.3	-1 mA/20 mA
$\bar{G}S$	Group Signal Output (Active LOW)	50/33.3	-1 mA/20 mA
\bar{A}_0 - \bar{A}_2	Address Outputs (Active LOW)	50/33.3	-1 mA/20 mA

Functional Description

The F148 8-input priority encoder accepts data from eight active LOW inputs (\bar{I}_0 - \bar{I}_7) and provides a binary representation on the three active LOW outputs. A priority is assigned to each input so that when two or more inputs are simultaneously active, the input with the highest priority is represented on the output, with input line 7 having the highest priority. A HIGH on the Enable Input ($\bar{E}I$) will force all outputs to the inactive (HIGH) state and allow new data to settle without producing erroneous information at the out-

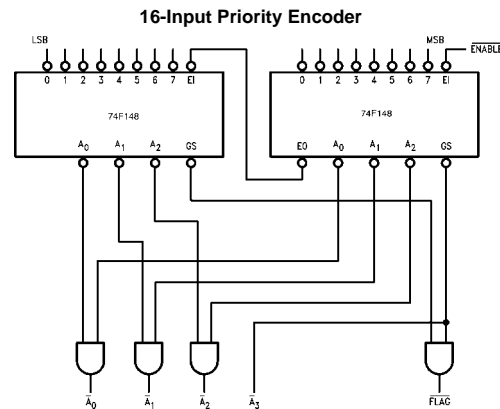
puts. A Group Signal output ($\bar{G}S$) and Enable Output ($\bar{E}O$) are provided along with the three priority data outputs (\bar{A}_2 , \bar{A}_1 , \bar{A}_0). $\bar{G}S$ is active LOW when any input is LOW: this indicates when any input is active. $\bar{E}O$ is active LOW when all inputs are HIGH. Using the Enable Output along with the Enable Input allows cascading for priority encoding on any number of input signals. Both $\bar{E}O$ and $\bar{G}S$ are in the inactive HIGH state when the Enable Input is HIGH.

Logic Diagram



Please note that this diagram is provided only for the understanding of logic operations and should not be used to estimate propagation delays.

Application



Absolute Maximum Ratings(Note 1)

Storage Temperature	-65°C to +150°C
Ambient Temperature under Bias	-55°C to +125°C
Junction Temperature under Bias	-55°C to +150°C
V _{CC} Pin Potential to Ground Pin	-0.5V to +7.0V
Input Voltage (Note 2)	-0.5V to +7.0V
Input Current (Note 2)	-30 mA to +5.0 mA

Voltage Applied to Output
in HIGH State (with V_{CC} = 0V)

Standard Output -0.5V to V_{CC}

3-STATE Output -0.5V to +5.5V

Current Applied to Output

in LOW State (Max) twice the rated I_{OL} (mA)

Recommended Operating Conditions

Free Air Ambient Temperature	0°C to +70°C
Supply Voltage	+4.5V to +5.5V

Note 1: Absolute maximum ratings are values beyond which the device may be damaged or have its useful life impaired. Functional operation under these conditions is not implied.

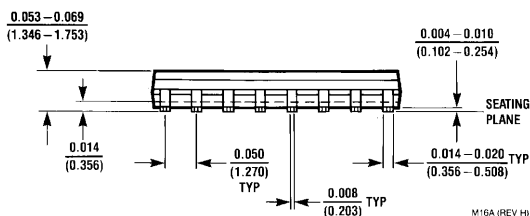
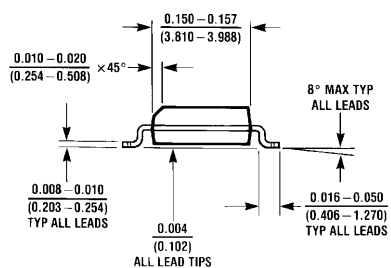
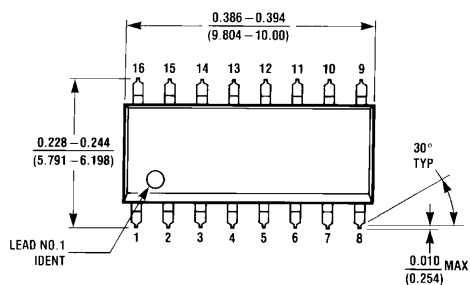
Note 2: Either voltage limit or current limit is sufficient to protect inputs.

DC Electrical Characteristics

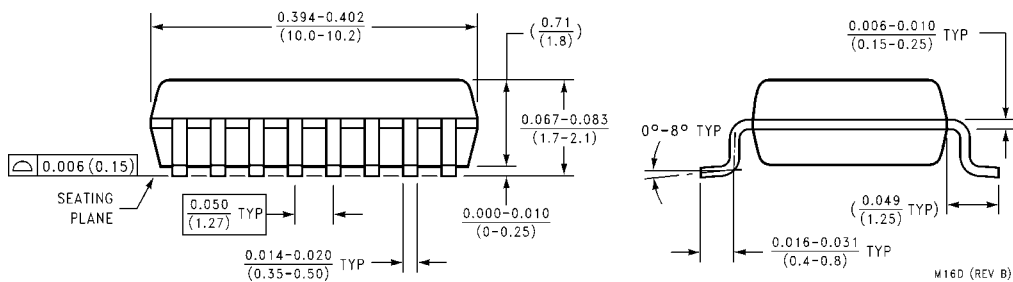
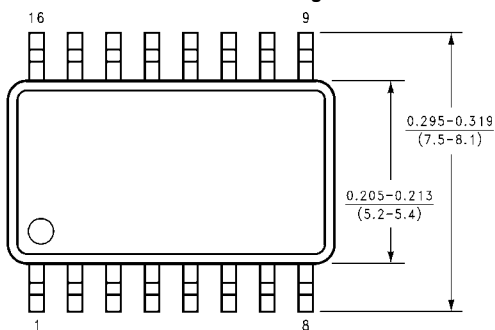
Symbol	Parameter	Min	Typ	Max	Units	V _{CC}	Conditions
V _{IH}	Input HIGH Voltage	2.0			V		Recognized as a HIGH Signal
V _{IL}	Input LOW Voltage			0.8	V		Recognized as a LOW Signal
V _{CD}	Input Clamp Diode Voltage			-1.2	V	Min	I _{IN} = -18 mA
V _{OH}	Output HIGH Voltage	10% V _{CC} 5% V _{CC}	2.5 2.7		V	Min	I _{OH} = -1 mA I _{OH} = -1 mA
V _{OL}	Output LOW Voltage	10% V _{CC}		0.5	V	Min	I _{OL} = 20 mA
I _{IH}	Input HIGH Current			5.0	μA	Max	V _{IN} = 2.7V
I _{BVI}	Input HIGH Current Breakdown Test			7.0	μA	Max	V _{IN} = 7.0V
I _{CEX}	Output High Leakage Current			50	μA	Max	V _{OUT} = V _{CC}
V _{ID}	Input Leakage Test	4.75			V	0.0	I _{ID} = 1.9 μA All Other Pins Grounded
I _{OD}	Output Leakage Circuit Current			3.75	μA	0.0	V _{IOD} = 150 mV All Other Pins Grounded
I _{IL}	Input LOW Current			-0.6 -1.2	mA	Max	V _{IN} = 0.5V (I ₀ , E ₁) V _{IN} = 0.5V (I ₁ -I ₇)
I _{OS}	Output Short-Circuit Current	-60		-150	mA	Max	V _{OUT} = 0V
I _{CCH}	Power Supply Current			35	mA	Max	V _O = HIGH
I _{CCL}	Power Supply Current			35	mA	Max	V _O = LOW

AC Electrical Characteristics							
Symbol	Parameter	T _A = +25°C V _{CC} = +5.0V C _L = 50 pF			T _A = 0°C to +70°C V _{CC} = +5.0V C _L = 50 pF		Units
		Min	Typ	Max	Min	Max	
t _{PLH}	Propagation Delay	3.0	7.0	9.0	3.0	10.0	ns
t _{PHL}	\bar{I}_n to \bar{A}_n	3.0	8.0	10.5	3.0	12.0	
t _{PLH}	Propagation Delay	2.5	5.0	6.5	2.5	7.5	ns
t _{PHL}	\bar{I}_n to $\bar{E}\bar{O}$	2.5	5.5	7.5	2.5	8.5	
t _{PLH}	Propagation Delay	2.5	7.0	9.0	2.5	10.0	ns
t _{PHL}	\bar{I}_n to $\bar{G}\bar{S}$	2.5	6.0	8.0	2.5	9.0	
t _{PLH}	Propagation Delay	2.5	6.5	8.5	2.5	9.5	ns
t _{PHL}	$\bar{E}\bar{I}$ to \bar{A}_n	2.5	6.0	8.0	2.5	9.0	
t _{PLH}	Propagation Delay	2.5	5.0	7.0	2.5	8.0	ns
t _{PHL}	$\bar{E}\bar{I}$ to $\bar{G}\bar{S}$	2.5	6.0	7.5	2.5	8.5	
t _{PLH}	Propagation Delay	2.5	5.5	7.0	2.5	8.0	ns
t _{PHL}	$\bar{E}\bar{I}$ to $\bar{E}\bar{O}$	3.0	8.0	10.5	3.0	12.0	

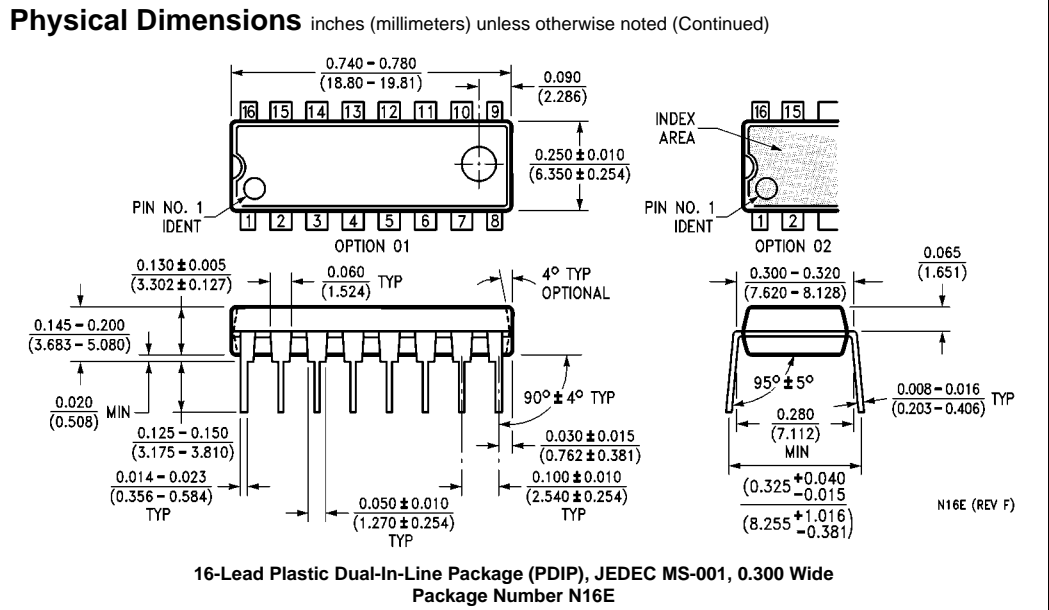
Physical Dimensions inches (millimeters) unless otherwise noted



16-Lead Small Outline Integrated Circuit (SOIC), JEDEC MS-012, 0.150 Narrow Package Number M16A



16-Lead Small Outline Package (SOP), EIAJ TYPE II, 5.3mm Wide Package Number M16D



Fairchild does not assume any responsibility for use of any circuitry described, no circuit patent licenses are implied and Fairchild reserves the right at any time without notice to change said circuitry and specifications.

LIFE SUPPORT POLICY

FAIRCHILD'S PRODUCTS ARE NOT AUTHORIZED FOR USE AS CRITICAL COMPONENTS IN LIFE SUPPORT DEVICES OR SYSTEMS WITHOUT THE EXPRESS WRITTEN APPROVAL OF THE PRESIDENT OF FAIRCHILD SEMICONDUCTOR CORPORATION. As used herein:

1. Life support devices or systems are devices or systems which, (a) are intended for surgical implant into the body, or (b) support or sustain life, and (c) whose failure to perform when properly used in accordance with instructions for use provided in the labeling, can be reasonably expected to result in a significant injury to the user.
2. A critical component in any component of a life support device or system whose failure to perform can be reasonably expected to cause the failure of the life support device or system, or to affect its safety or effectiveness.

www.fairchildsemi.com