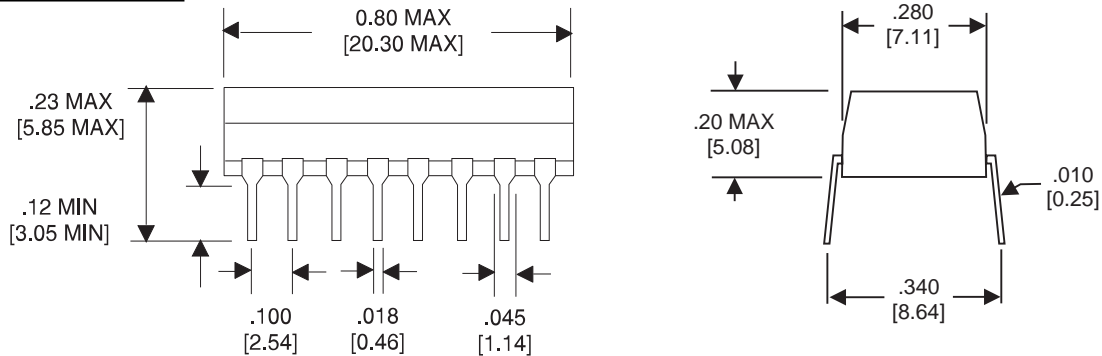


COMMON MODE CHOKES

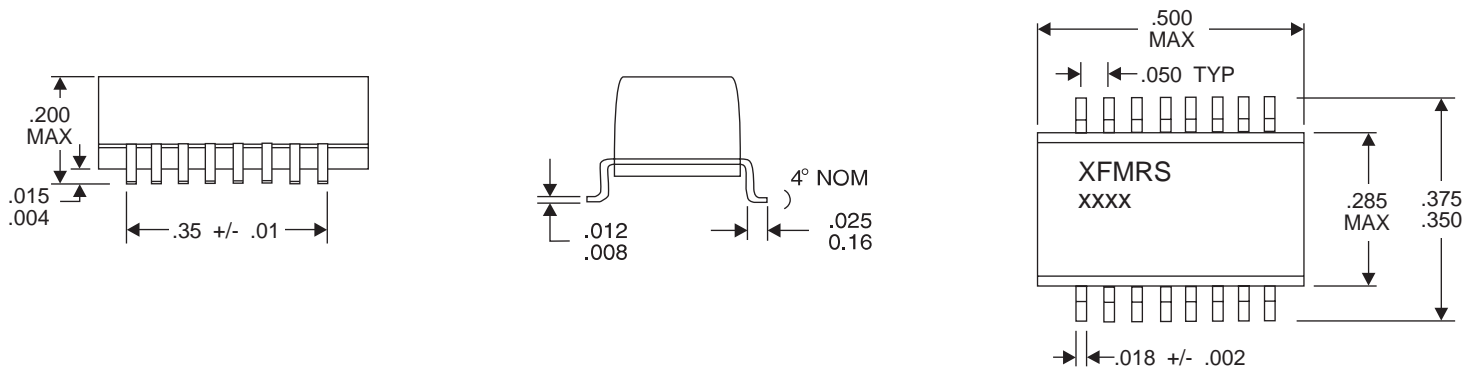
- SUPERIOR MATERIALS / HIGH IMPEDANCE TO MINIMIZE COMMON MODE NOISE
- APPLICATIONS INCLUDE FDDI-TP, TOKEN RING, ETHERNET/10BASE T, ISDN, T1/CEPT, FAST ETHERNET AND MOST TELECOMMUNICATIONS APPLICATIONS
- 2000 VRMS ISOLATION AVAILABLE
- OTHER PACKAGE STYLES AVAILABLE; E-E, U-U, IEC/TUV DESIGNS
- CUSTOM DESIGNS AVAILABLE AT NO EXTRA COST

PART NUMBER	OCL (uH \pm 20%)	PRI/SEC L_L (uH MAX)	PRI/SEC Cw/w (pF MAX)	PRI/SEC DCR (OHMS MAX)	ISOLATION (VRMS)	PACKAGE/ SCHEMATIC
XF0306AA	30	0.10	8	0.10	500	A/A
XF0306AB	30	0.10	8	0.10	500	B/A
XF0506AA	50	0.10	8	0.15	500	A/A
XF0506AB	50	0.10	8	0.15	500	B/A
XF0756AA	75	0.10	8	0.15	500	A/A
XF0756AB	75	0.10	8	0.15	500	B/A
XF0856AA	85	0.10	10	0.17	500	A/A
XF0856AB	85	0.10	10	0.17	500	B/A
XF1006AA	100	0.10	10	0.20	500	A/A
XF1006AB	100	0.10	10	0.20	500	B/A
XF1506AA	150	0.12	15	0.23	500	A/A
XF1506AB	150	0.12	15	0.23	500	B/A
XF2006AA	200	0.12	15	0.30	500	A/A
XF2006AB	200	0.12	15	0.30	500	B/A
XF0306AE	30	0.10	8	0.10	500	A/E
XF0506AE	50	0.10	8	0.10	500	A/E
XF0756AE	75	0.10	8	0.15	500	A/E
XF0856AE	85	0.10	10	0.15	500	A/E
XF1006AE	100	0.10	10	0.15	500	A/E

PACKAGE STYLE A



PACKAGE STYLE B



SCHEMATICS

