

NEW! PAN1325A/1315A SERIES BLUETOOTH® RF MODULES

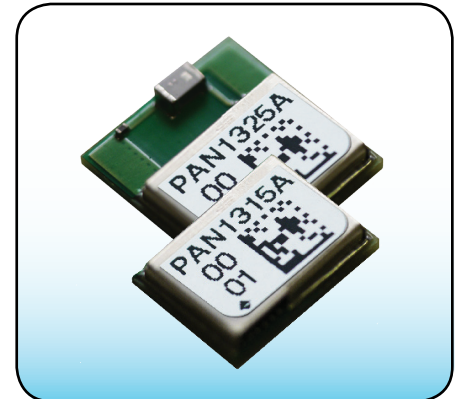
Texas Instruments NEW CC2560A Bluetooth IC In An Easy-To-Use Module Format

Introducing the **NEW PAN1325A/1315A Series** Bluetooth RF Modules from Panasonic Electronic Components, now providing Texas Instruments' **NEW CC2560A** controller in an easy-to-use RF Module format with Bluetooth, FCC, IC and CE certifications. A ROM update from Texas Instruments to the already popular CC2560 IC has allowed Panasonic to improve its top selling PAN1325/1315 Series. The **NEW PAN1325A/1315A Series** Modules has increased power and system efficiency resulting from reduced initialization script size, start-up time and decreased system memory requirements.

All of Panasonic's Bluetooth RF Modules feature unique, tiny footprint technology and are designed to accommodate PCBs with pad pitch of 1.3mm with as little as two layers for easy implementation and manufacturing. With or without an embedded antenna, the **NEW PAN1325A/1315A Series** provides easily integrated Bluetooth connectivity into new and current designs by removing RF design and certification barriers from the application.

As the newest addition to Panasonic's Host Controlled Interface (HCI) Bluetooth RF Module product line, the **PAN1325A/1315A Series** has all the features of the existing and proven PAN1325/1315 Series but with the added benefits of the improved efficiency.

An updated initialization script is required for modules based on the CC2560A. Compatibility of CC2560 and CC2560A based products is a function of Bluetooth stack firmware residing on the host processor.



BT component, CE and FCC certified.



Product Performance:

- Best-in-class Bluetooth RF performance (Tx power, Rx sensitivity, blocking)
- Fully Qualified Bluetooth v2.1 EDR
- Dimensions PAN1325A: 9mm x 9.5mm x 1.8mm (width x length x height)
- Dimensions PAN1315A: 6.5mm x 9mm x 1.7mm (width x length x height)
- Certifications: Bluetooth, CE, FCC
- Operating Temperature Range: -20°C to +70°C
- Supply Voltage Range: 1.7 - 4.8V
- Profiles: SPP, HDP, A2DP
- Based upon TI's CC2560A
- Integrates with TI's ultra low-power MSP430 microprocessor
- Very fast algorithm for both ACL and eSCO
- Supports Extended Range Tx power with 10dBm typical output (10dBm for PAN1315)
- Low power scan method for page and inquiry scans at 1/3rd normal power

PAN1325A Part Numbers:

Part Numbers	Description
ENW-89829A2JF	PAN1325A, CC2560A, HCI Module, Antenna
ENW-89818A2JF	PAN1325, CC2560, HCI Module, Antenna (available but not recommended for new design)

PAN1315A Part Numbers:

Part Numbers	Description
ENW-89829C2JF	PAN1315A, CC2560A, HCI Module, No Antenna
ENW-89818C2JF	PAN1315, CC2560, HCI Module, No Antenna (available but not recommended for new design)

Panasonic ideas for life

Interfaces:

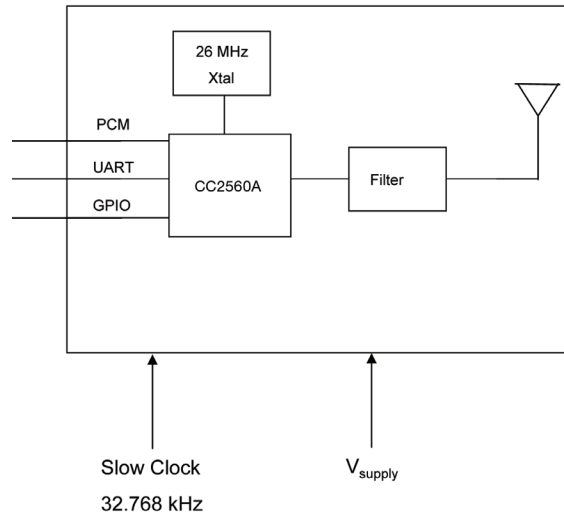
The PAN1325A/PAN1315A Host Controlled Interface supports several transport layers with the following features:

- UART Rates of up to 4Mbps
- Three and Four Wire UART Transport

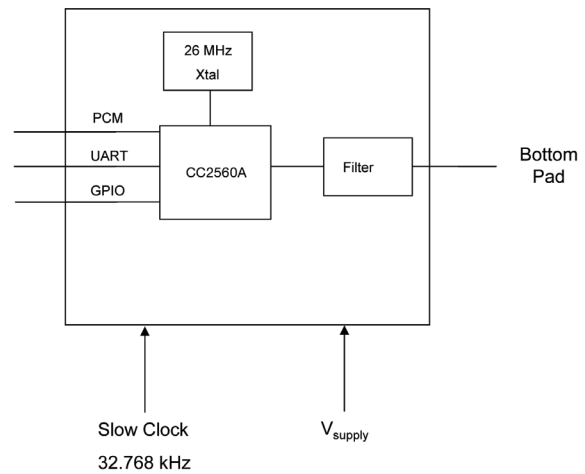
Applications:

- Consumer Health Devices
 - Heart Rate Monitor
 - Blood Pressure Sensor
 - Blood Glucose Meter
 - Thermometer
 - Fitness Sensors
- Assisted Living
 - Flood Alarm
 - Heating Control
 - Automatic Key Control
- Industrial Sensors
- Toys
- Entertainment Devices
- Mobile Accessories
- All Bluetooth Wireless Applications

Block Diagram PAN1325A:



Block Diagram PAN1315A:



Technical Specifications:

Parameter	Value		Condition / Notes
	PAN1325A	PAN1315A	
Receiver Sensitivity (BER=10 ⁻³)	-93 dBm	-93 dBm	GFSK, Typical, Dirty TX On
Output Power	10 dBm	10.5 dBm	VDD_In = VBAT
Power Supply	1.7 - 4.8 V	1.7 - 4.8 V	Battery or DC/DC
Ultra Low Power Scan	135 uA	135 uA	1.28s Interval
GFSK DH1\DH5	33 mA	33 mA	Full Throughput
Operating Temperature Range	-20°C to + 70°C	-20°C to + 70°C	

Panasonic ideas for life