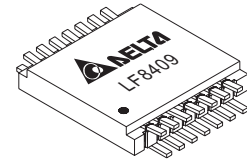




FAST ETHERNET 100BASE-TX PCMCIA TRANSFORMER MODULES

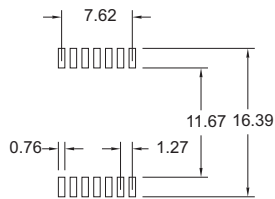
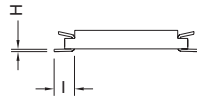
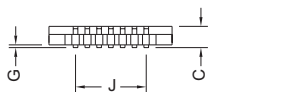
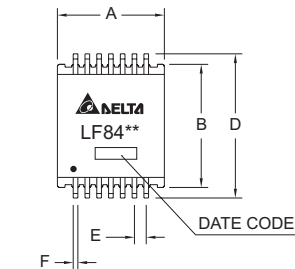
Networking Components



ELECTRICAL CHARACTERISTICS @25°C

Rise Time & Fall Time @5.0ns (Max), Hi-Pot Test @60Sec, 1500Vrms, OCL @8mA DC Bias 350uH (Min)														
Model	Insertion Loss (dB Max)	Return Loss (dB Min)				Cross Talk (dB Min)				Com. To Com. Rejection Ratio (dB Min)		Diff. To Com. Mode Rejection (dB Min)		Turns Ratio TX/RX (±5%)
		1~100	2~30	40	50	60~80	1	30	60	100	1~60	60~100	1~60	
	MHz	MHz				MHz				MHz		MHz		1
LF8409	-1.0	-18	-16	-12.0	-10	-65	-55	-45	-35	-40	-30	-40	-30	1.414:1 / 1:1
LF8410	-1.0	-18	-17	-14.5	-12	-65	-55	-45	-35	-40	-30	-40	-30	1:1 / 1:1
LF8411	-1.0	-18	-16	-12.0	-10	-65	-55	-45	-35	-40	-30	-40	-30	1.414:1 / 1:1
LF8412	-1.0	-18	-17	-14.5	-12	-65	-55	-45	-35	-40	-30	-40	-30	1:1 / 1:1

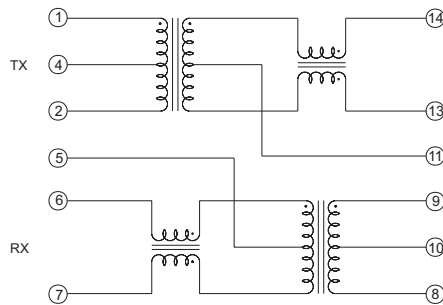
MECHANICAL CONSTRUCTION



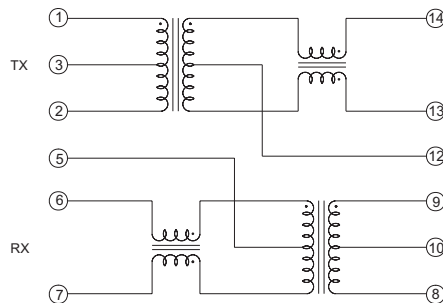
UNIT : mm / inch
 A = 11.53±0.254 / 0.454±0.010
 B = 13.27±0.254 / 0.522±0.010
 C = 2.40 / 0.094 MAX
 D = 15.44±0.254 / 0.608±0.010
 E = 1.27 / 0.050 (TYP)
 F = 0.50±0.127 / 0.020±0.005
 G = 0.254±0.127 / 0.010±0.005
 H = 0.254 / 0.010 (TYP)
 I = 2.05±0.254 / 0.081±0.010
 J = 7.62 / 0.3000 (TYP)

SCHEMATICS

LF8409



LF8410, LF8411, LF8412



DELTA ELECTRONICS, INC.

(TAOYUAN PLANT CPBG) 252, SAN YING ROAD, KUEI SAN INDUSTRIAL ZONE, TAOYUAN SHIEN, TAIWAN, R.O.C.
 TEL: 886-3-3591968; FAX: 886-3-3591991
 Http://www.deltaww.com/products/networking