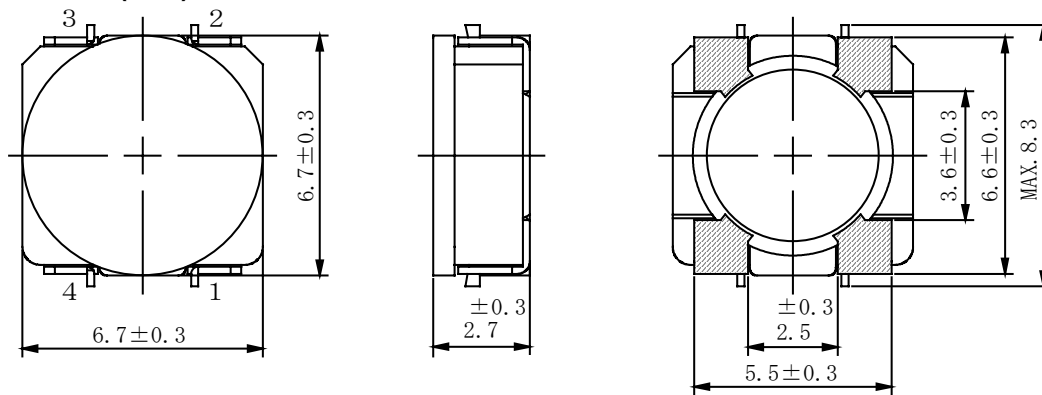
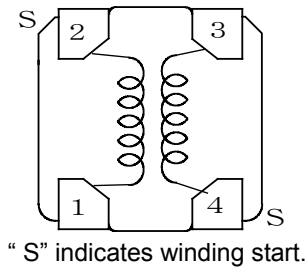
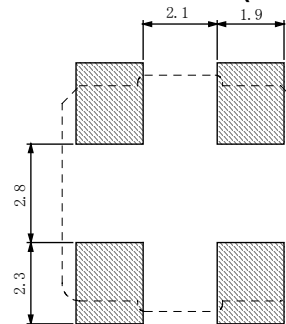


**Type: CLS6D28**
**◆ Product Description**

- 7.0×7.0mm Max.(L×W), 3.0mm Max. Height.
- In addition to the typical versions of parameters shown here, custom designs are available to meet your exact requirements.


**◆ Feature**

- Magnetically shielded construction.
- Max. Operating frequency 1MHz, Max. Operating power 3.0W.
- 2 in 1 Coils for high efficient up-down DC-DC converters (SEPIC,Zeta circuits to be used).
- Ideally used in the power supply for DSC、Note PC、DVC and W-LED backlighting.
- RoHS Compliance

**◆ Dimensions (mm)**

**◆ Schematics (Bottom)**

**◆ Land Pattern (mm)**

**◆ Specification**

Sample No.	Inductance (1-2)/(3-4) (100kHz/1.0V)	D.C.R. (1-2)	D.C.R. (3-4)	Rated current (1-4) Tie (2-3)
4348-T018	33 $\mu$ H $\pm$ 30%	350m $\Omega$ Max.	460m $\Omega$ Max.	0.89 A

※ Rated current: The D.C. current at which the inductance decreases to 90% of it's initial value or when  $\Delta t=40^{\circ}\text{C}$ , whichever is lower( $T_a=20^{\circ}\text{C}$ ).