

● Product Picture/产品外观图片



● Features/产品特性描述

1. Emitted Color/发光颜色: Red/红、Green/绿、Blue/蓝
2. Super energy saving and environmental protection/超级节能和环保
3. Choices of luminous intensities for indoor application/选择的发光强度适合于室内应用
4. The useful lifetime of the product is more than 30000 hours/该产品使用寿命超过 30000 小时

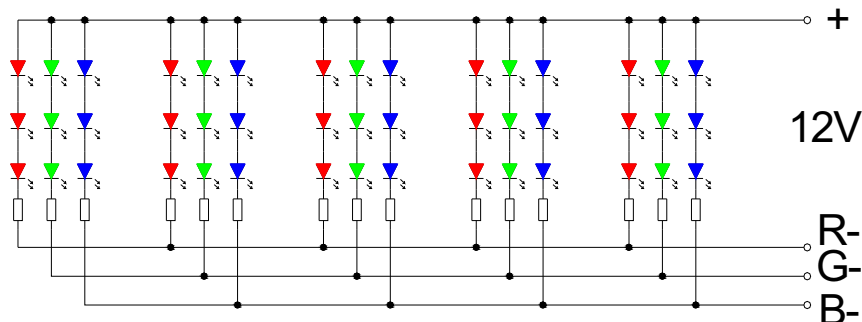
● Absolute Maximum Ratings /产品的极限使用条件

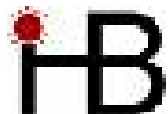
Parameter /项目	Symbol /代码	Rating /范围			Unit
		Min./最小值	Typ./标准值	Max./最大值	
Input Voltage DC /输入电压	V <sub>in</sub>	11	12	13	V
Input Current DC/输入电流	I(rms)	-	0.27	0.3	A
Operating Tem./工作温度	T <sub>a</sub>	-25	25	50	°C
Operating Hum./相对湿度	H <sub>a</sub>	5%-95%(No Water/不结露)			-
Storage Tem./存储温度	T <sub>s</sub>	-30~65			°C

● Electrical and optical characteristics (Ta=25°C) /产品的电气及光电参数

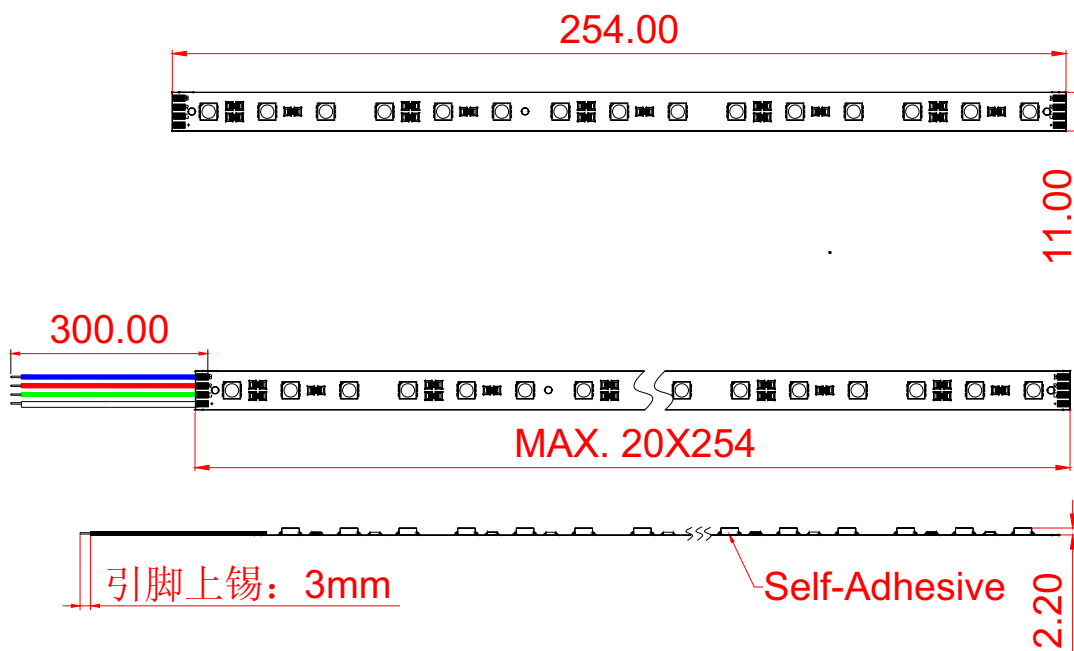
Parameter /项目	Condition/条件	Symbol /代码	Min. /最小值	Typ./标准值	Max./最大值	Unit
Power Dissipation /功率	V <sub>in</sub> =12V	P <sub>d</sub>	-	3.5	4	W
Luminous Flux /光通量	V <sub>in</sub> =12V	IV(R)	-	45	-	Lm
		IV(B)	-	11	-	Lm
		IV(G)	-	51	-	Lm
Color Temperature /色温	V <sub>in</sub> =12V	C.T.(R)	620	625	630	nm
		C.T.(B)	465	470	475	nm
		C.T.(G)	520	525	530	nm
Viewing Angle /发光角度	V <sub>in</sub> =12V	θ	-	120	-	Deg

● Circuit Diagram/产品线路图





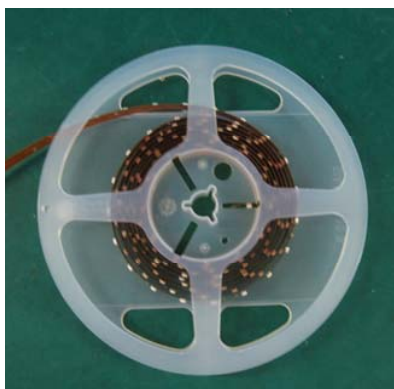
● Package Dimensions /产品尺寸图



Notes /备注:

1. All dimensions are in millimeters. /所有的尺寸单位为 mm.
2. Tolerance is  $\pm 0.5$  mm unless otherwise specified. /默认的尺寸公差为 $\pm 0.5$  mm.
3. Specifications are subject to change without notice. /产品外形若有变更, 恕不特别通知.

● Product Packaging Picture/产品包装图



Φ 180X15  
20PCS in the reel  
20PCS/卷

212X212X1.4  
one reel in the bag  
1 卷/包

220X210X75  
4 reels in the box  
4 包/盒