

## LM136-5.0/LM236-5.0/LM336-5.0 5.0V Reference Diode

### General Description

The LM136-5.0/LM236-5.0/LM336-5.0 integrated circuits are precision 5.0V shunt regulator diodes. These monolithic IC voltage references operate as a low temperature coefficient 5.0V zener with 0.6Ω dynamic impedance. A third terminal on the LM136-5.0 allows the reference voltage and temperature coefficient to be trimmed easily.

The LM136-5.0 series is useful as a precision 5.0V low voltage reference for digital voltmeters, power supplies or op amp circuitry. The 5.0V makes it convenient to obtain a stable reference from low voltage supplies. Further, since the LM136-5.0 operates as a shunt regulator, it can be used as either a positive or negative voltage reference.

The LM136-5.0 is rated for operation over  $-55^{\circ}\text{C}$  to  $+125^{\circ}\text{C}$  while the LM236-5.0 is rated over a  $-25^{\circ}\text{C}$  to  $+85^{\circ}\text{C}$  temperature range. The LM336-5.0 is rated for operation over a

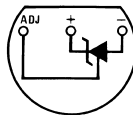
$0^{\circ}\text{C}$  to  $+70^{\circ}\text{C}$  temperature range. See the connection diagrams for available packages. For applications requiring 2.5V see LM136-2.5.

### Features

- Adjustable 4V to 6V
- Low temperature coefficient
- Wide operating current of 600  $\mu\text{A}$  to 10 mA
- 0.6Ω dynamic impedance
- $\pm 1\%$  initial tolerance available
- Guaranteed temperature stability
- Easily trimmed for minimum temperature drift
- Fast turn-on
- Three lead transistor package

### Connection Diagrams

TO-92  
Plastic Package

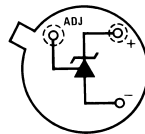


DS005716-4

Bottom View

Order Number LM236AZ-5.0, LM336Z-5.0 or LM336BZ-5.0  
See NS Package Number Z03A

TO-46  
Metal Can Package

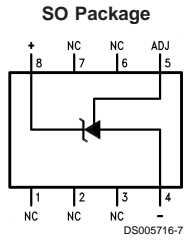


DS005716-5

Bottom View

Order Number LM136H-5.0,  
LM136H-5.0/883, LM236H-5.0,  
LM136AH-5.0, LM136AH-5.0/883,  
or LM236AH-5.0  
See NS Package Number H03H

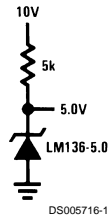
## Connection Diagrams (Continued)



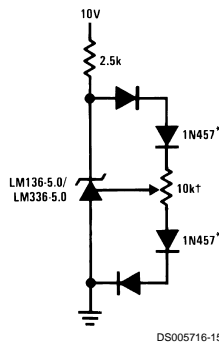
Order Number LM336M-5.0 or LM336BM-5.0  
See NS Package Number M08A

## Typical Applications

**5.0V Reference**

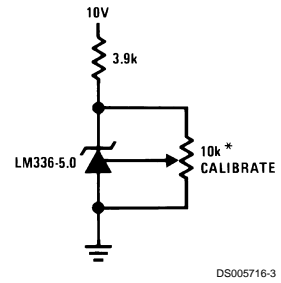


**5.0V Reference with Minimum Temperature Coefficient**



† Adjust to 5.00V  
\* Any silicon signal diode

**Trimmed 4V to 6V Reference with Temperature Coefficient Independent of Breakdown Voltage**



\* Does not affect temperature coefficient

## Absolute Maximum Ratings (Note 1)

If Military/Aerospace specified devices are required, please contact the National Semiconductor Sales Office/Distributors for availability and specifications.

Reverse Current	15mA
Forward Current	10mA
Storage Temperature	-60°C to +150°C
Operating Temperature Range (Note 2)	
LM136-5.0	-55°C to +150°C
LM236-5.0	-25°C to +85°C

LM336-5.0	0°C to +70°C
Soldering Information	
TO-92 Package (10 sec.)	260°C
TO-46 Package (10 sec.)	300°C
SO Package	
Vapor Phase (60 sec.)	215°C
Infrared (15 sec.)	220°C
See AN-450 "Surface Mounting Methods and Their Effect on Product Reliability" (appendix D) for other methods of soldering surface mount devices.	

## Electrical Characteristics

(Note 3)

Parameter	Conditions	LM136A-5.0/LM236A-5.0			LM336B-5.0			Units
		LM136-5.0/LM236-5.0			LM336-5.0			
		Min	Typ	Max	Min	Typ	Max	
Reverse Breakdown Voltage	$T_A=25^\circ\text{C}$ , $I_R=1\text{ mA}$							
	LM136-5.0/LM236-5.0/LM336-5.0	4.9	5.00	5.1	4.8	5.00	5.2	V
	LM136A-5.0/LM236A-5.0, LM336B-5.0	4.95	5.00	5.05	4.90	5.00	5.1	V
Reverse Breakdown Change With Current	$T_A=25^\circ\text{C}$ , $600\ \mu\text{A}\leq I_R\leq 10\text{ mA}$		6	12		6	20	mV
Reverse Dynamic Impedance	$T_A=25^\circ\text{C}$ , $I_R=1\text{ mA}$ , $f=100\text{ Hz}$		0.6	1.2		0.6	2	$\Omega$
Temperature Stability (Note 4)	$V_R$ Adjusted 5.00V $I_R=1\text{ mA}$ , (Figure 2)							
	$0^\circ\text{C}\leq T_A\leq 70^\circ\text{C}$ (LM336-5.0)				4	12		mV
	$-25^\circ\text{C}\leq T_A\leq +85^\circ\text{C}$ (LM236-5.0)		7	18				mV
	$-55^\circ\text{C}\leq T_A\leq +125^\circ\text{C}$ (LM136-5.0)		20	36				mV
Reverse Breakdown Change With Current	$600\ \mu\text{A}\leq I_R\leq 10\text{ mA}$		6	17		6	24	mV
Adjustment Range	Circuit of Figure 1		$\pm 1$			$\pm 1$		V
Reverse Dynamic Impedance	$I_R=1\text{ mA}$		0.8	1.6		0.8	2.5	$\Omega$
Long Term Stability	$T_A=25^\circ\text{C}\pm 0.1^\circ\text{C}$ , $I_R=1\text{ mA}$ , $t=1000\text{ hrs}$		20			20		ppm

**Note 1:** Absolute Maximum Ratings indicate limits beyond which damage to the device may occur. Electrical specifications do not apply when operating the device beyond its specified operating conditions.

**Note 2:** For elevated temperature operation,  $T_J$  max is:

LM136	150°C
LM236	125°C
LM336	100°C

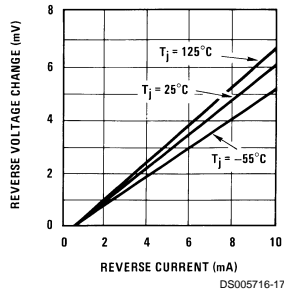
Thermal Resistance	TO-92	TO-46	SO-8
$\theta_{ja}$ (Junction to Ambient)	180°C/W (0.4" Leads) 170°C/W (0.125" Leads)	440°C/W	165°C/W
$\theta_{jc}$ (Junction to Case)	N/A	80°C/W	N/A

**Note 3:** Unless otherwise specified, the LM136-5.0 is specified from  $-55^\circ\text{C}\leq T_A\leq +125^\circ\text{C}$ , the LM236-5.0 from  $-25^\circ\text{C}\leq T_A\leq +85^\circ\text{C}$  and the LM336-5.0 from  $0^\circ\text{C}\leq T_A\leq +70^\circ\text{C}$ .

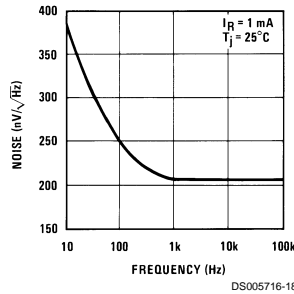
**Note 4:** Temperature stability for the LM336 and LM236 family is guaranteed by design. Design limits are guaranteed (but not 100% percent production tested) over the indicated temperature and supply voltage ranges. These limits are not used to calculate outgoing quality levels. Stability is defined as the maximum charge in  $V_{REF}$  from  $25^\circ\text{C}$  to  $T_A(\text{min})$  or  $T_A(\text{max})$ .

## Typical Performance Characteristics

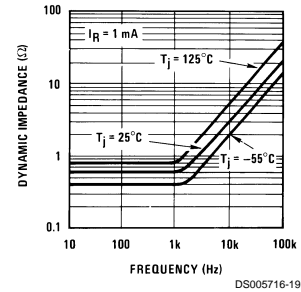
Reverse Voltage Change



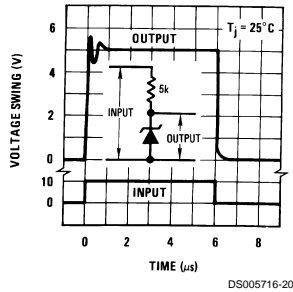
Zener Noise Voltage



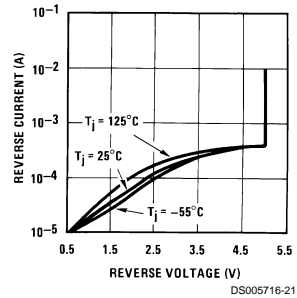
Dynamic Impedance



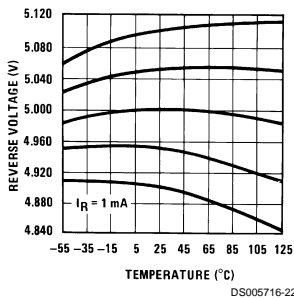
Response Time



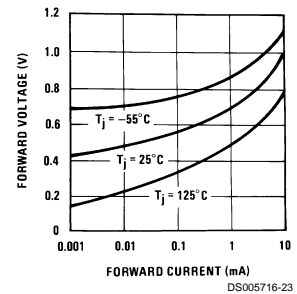
Reverse Characteristics



Temperature Drift



Forward Characteristics



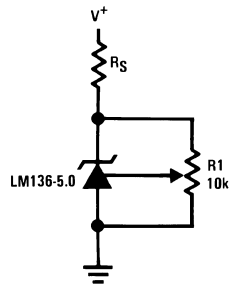
## Application Hints

The LM136-5.0 series voltage references are much easier to use than ordinary zener diodes. Their low impedance and wide operating current range simplify biasing in almost any circuit. Further, either the breakdown voltage or the temperature coefficient can be adjusted to optimize circuit performance.

Figure 1 shows an LM136-5.0 with a 10k potentiometer for adjusting the reverse breakdown voltage. With the addition of R1 the breakdown voltage can be adjusted without affecting the temperature coefficient of the device. The adjustment range is usually sufficient to adjust for both the initial device tolerance and inaccuracies in buffer circuitry.

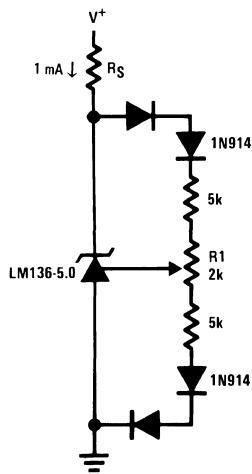
If minimum temperature coefficient is desired, four diodes can be added in series with the adjustment potentiometer as shown in Figure 2. When the device is adjusted to 5.00V the temperature coefficient is minimized. Almost any silicon signal diode can be used for this purpose such as a 1N914, 1N4148 or a 1N457. For proper temperature compensation the diodes should be in the same thermal environment as the LM136-5.0. It is usually sufficient to mount the diodes near the LM136-5.0 on the printed circuit board. The absolute resistance of the network is not critical and any value from 2k to 20k will work. Because of the wide adjustment range, fixed resistors should be connected in series with the pot to make pot setting less critical.

## Application Hints (Continued)



DS005716-9

FIGURE 1. LM136-5.0 with Pot for Adjustment of Breakdown Voltage (Trim Range =  $\pm 1.0V$  Typical)

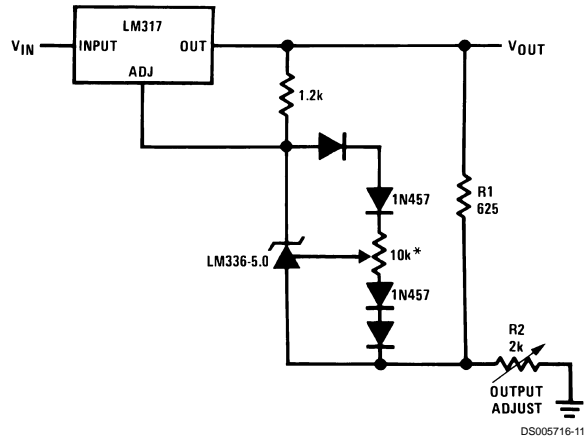


DS005716-10

FIGURE 2. Temperature Coefficient Adjustment (Trim Range =  $\pm 0.5V$  Typical)

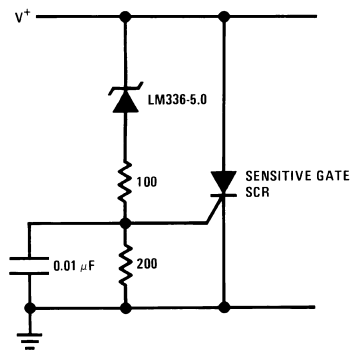
## Typical Applications

Precision Power Regulator with Low Temperature Coefficient



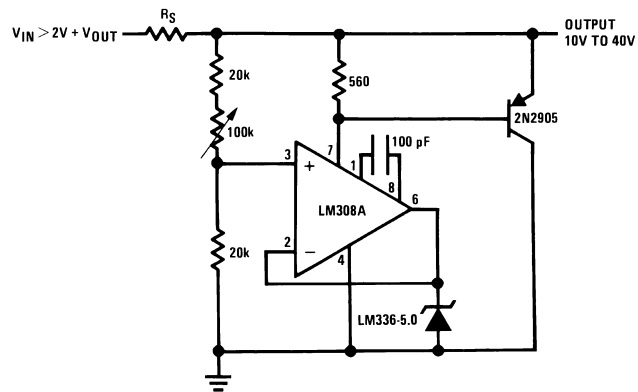
\* Adjust for 6.25V across R1

5V Crowbar



DS005716-12

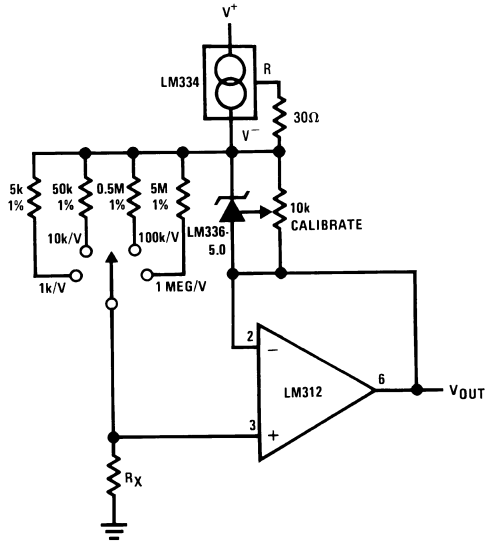
Adjustable Shunt Regulator



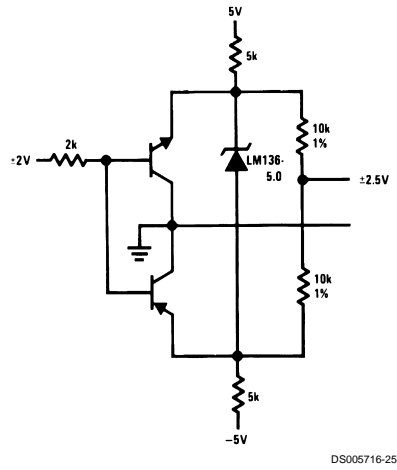
DS005716-13

## Typical Applications (Continued)

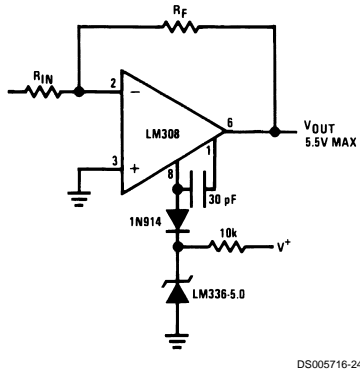
### Linear Ohmmeter



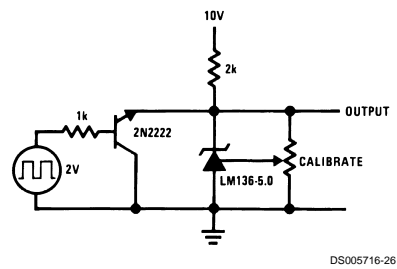
### Bipolar Output Reference



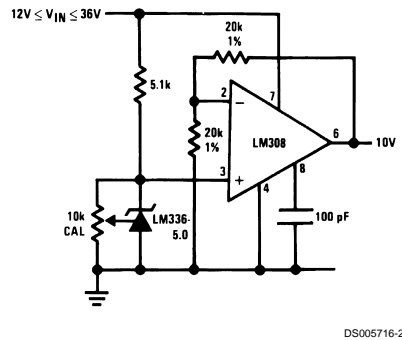
### Op Amp with Output Clamped



### 5.0V Square Wave Calibrator

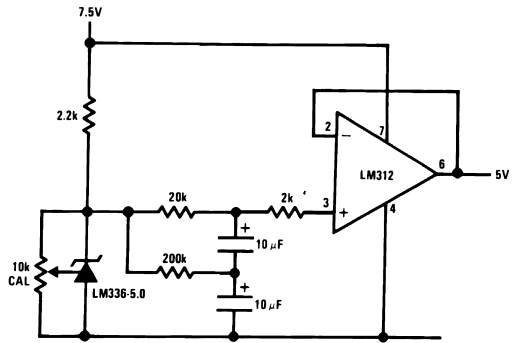


### 10V Buffered Reference



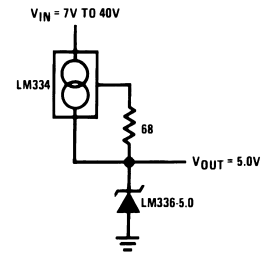
## Typical Applications (Continued)

### Low Noise Buffered Reference



DS005716-28

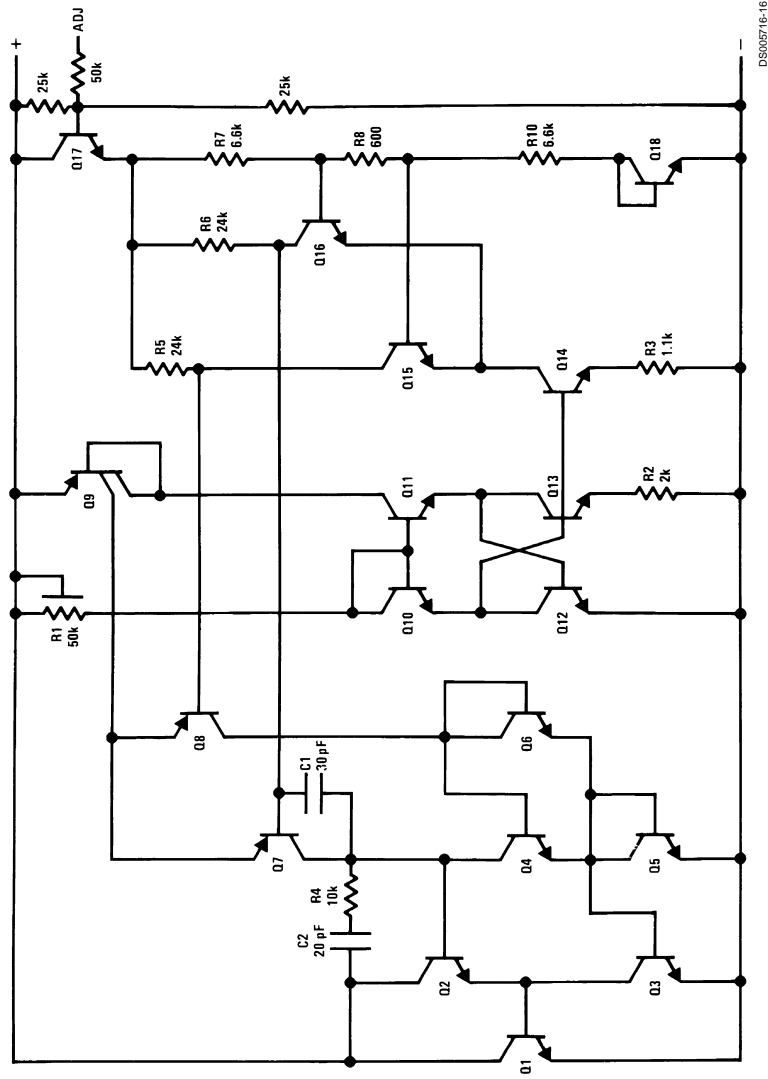
### Wide Input Range Reference



DS005716-29

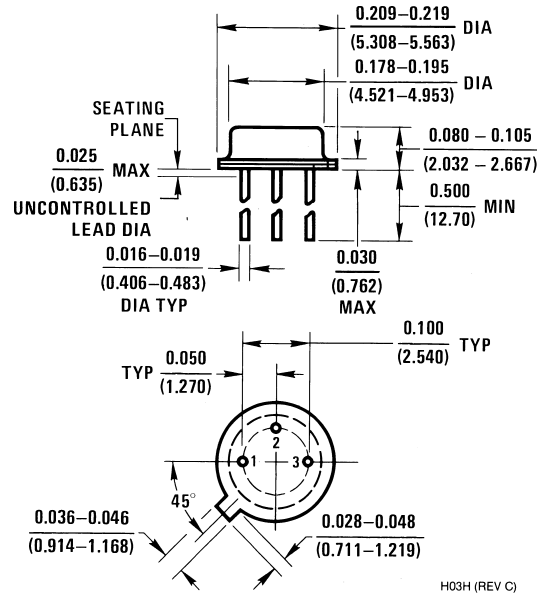


# Schematic Diagram



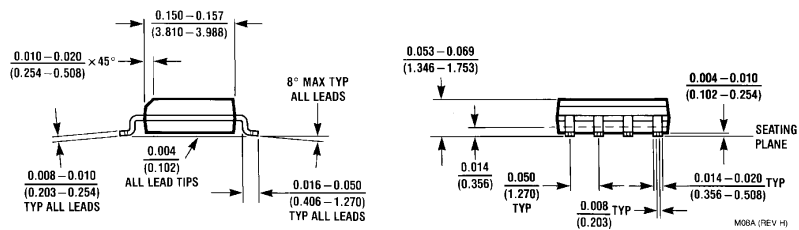
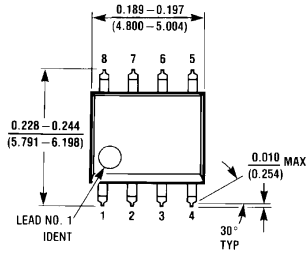
DS800716-16

**Physical Dimensions** inches (millimeters) unless otherwise noted



H03H (REV C)

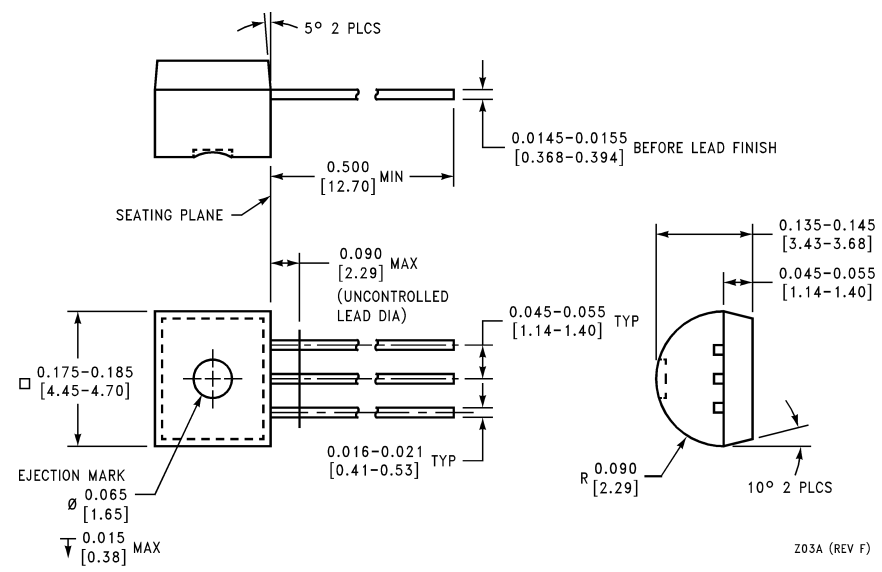
**TO-46 Metal Can Package (H)**  
**Order Number LM136H-5.0, LM136H-5.0/883, LM236H-5.0,**  
**LM136AH-5.0, LM136AH-5.0/883 or LM236AH-5.0**  
**NS Package Number H03H**



M08A (REV H)

**Small Outline (SO-8) Package**  
**Order Number LM336M-5.0 or LM336BM-5.0**  
**NS Package Number M08A**

**Physical Dimensions** inches (millimeters) unless otherwise noted (Continued)




**Plastic Package (Z)**  
**Order Number LM236AZ-5.0, LM336Z-5.0 or LM336BZ-5.0**  
**NS Package Number Z03A**

Z03A (REV F)

**LIFE SUPPORT POLICY**

NATIONAL'S PRODUCTS ARE NOT AUTHORIZED FOR USE AS CRITICAL COMPONENTS IN LIFE SUPPORT DEVICES OR SYSTEMS WITHOUT THE EXPRESS WRITTEN APPROVAL OF THE PRESIDENT AND GENERAL COUNSEL OF NATIONAL SEMICONDUCTOR CORPORATION. As used herein:

1. Life support devices or systems are devices or systems which, (a) are intended for surgical implant into the body, or (b) support or sustain life, and whose failure to perform when properly used in accordance with instructions for use provided in the labeling, can be reasonably expected to result in a significant injury to the user.
2. A critical component is any component of a life support device or system whose failure to perform can be reasonably expected to cause the failure of the life support device or system, or to affect its safety or effectiveness.

 <p><b>National Semiconductor Corporation</b>  Americas  Tel: 1-800-272-9959  Fax: 1-800-737-7018  Email: support@nsc.com  www.national.com</p>	<p><b>National Semiconductor Europe</b>  Fax: +49 (0) 1 80-530 85 86  Email: europe.support@nsc.com  Deutsch Tel: +49 (0) 1 80-530 85 85  English Tel: +49 (0) 1 80-532 78 32  Français Tel: +49 (0) 1 80-532 93 58  Italiano Tel: +49 (0) 1 80-534 16 80</p>	<p><b>National Semiconductor Asia Pacific Customer Response Group</b>  Tel: 65-2544466  Fax: 65-2504466  Email: sea.support@nsc.com</p>	<p><b>National Semiconductor Japan Ltd.</b>  Tel: 81-3-5639-7560  Fax: 81-3-5639-7507</p>
--	---	---	---

National does not assume any responsibility for use of any circuitry described, no circuit patent licenses are implied and National reserves the right at any time without notice to change said circuitry and specifications.