

FEATURES

- 12-Bit binary and 3-digit BCD models
- 7 Output ranges
- $3\mu\text{s}$ V_{OUT} settling time
 300ns I_{OUT} settling time
- Guaranteed monotonicity over full temperature range
- Integral nonlinearity $\pm 1/2\text{LSB}$ (binary) and $\pm 1/4\text{LSB}$ (BCD), maximum
- Differential nonlinearity $\pm 3/4\text{LSB}$ (binary) and $\pm 1/4\text{LSB}$ (BCD), maximum
- High-reliability QL versions available



GENERAL DESCRIPTION

The DAC-HZ Series are high-performance, monolithic, 12-bit binary and 3-digit BCD, digital-to-analog converters. The DAC-HZ Series are complete and self-contained with a precision internal reference and fast output operational amplifier. Pin programmable output voltage and current ranges are provided for a high degree of application flexibility; the binary versions offer 5 output voltage ranges and two current ranges while the BCD models offer 3 and 1 output ranges, respectively.

The DAC-HZ Series contains a precision embedded Zener reference circuit. This eliminates code-dependent ground currents by routing current from the positive supply to the internal ground node as determined by the R-2R ladder network. The internal feedback resistors for the on-board amplifier track the ladder network resistors, enhancing temperature performance. The excellent tracking of the resistors results in temperature coefficients for differential nonlinearity, zero and gain of ± 2 , ± 3 and $\pm 20\text{ppm}/^\circ\text{C}$ maximum, respectively.

INPUT/OUTPUT CONNECTIONS

PIN	FUNCTION	PIN	FUNCTION
1	BIT 1 (MSB)	24	REFERENCE OUT
2	BIT 2	23	GAIN ADJUST
3	BIT 3	22	+15V SUPPLY
4	BIT 4	21	GROUND
5	BIT 5	20	CURRENT OUTPUT
6	BIT 6	19	20V RANGE
7	BIT 7	18	10V RANGE
8	BIT 8	17	BIPOLAR OFFSET
9	BIT 9	16	REFERENCE IN
10	BIT 10	15	VOLTAGE OUTPUT
11	BIT 11	14	-15V SUPPLY
12	BIT 12 (LSB)	13	NO CONNECTION

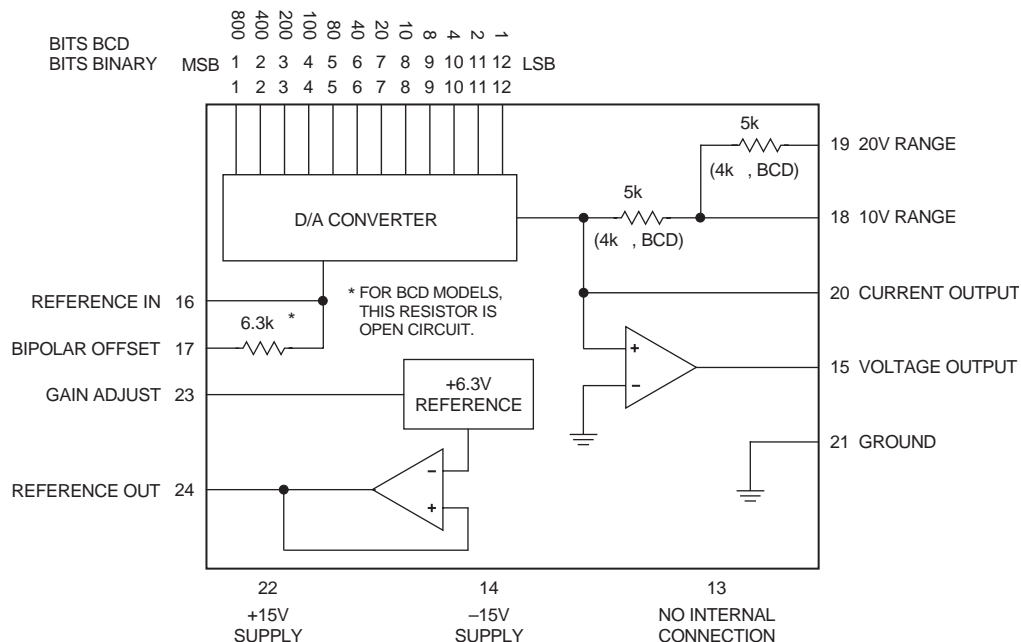


Figure 1. Functional Block Diagram

ABSOLUTE MAXIMUM RATINGS

Positive Supply, Pin 22	+18V
Negative Supply, Pin 14	-18V
Digital Input Voltage, Pins 1-12	+5.5V
Output Current, Pin 15	±20mA
Lead Temperature (soldering, 10s)	300°C

FUNCTIONAL SPECIFICATIONS

(Typical at +25°C and ±15V supplies unless otherwise noted.)

INPUTS	DAC-HZ12B (BINARY)	DAC-HZ12D (BCD)
Resolution	12 binary bits	3 BCD digits
Coding, Unipolar Output	Comp. binary	Comp. BCD
Coding, Bipolar Output	Comp. off. binary	—
Input Logic Level, Bit ON ("0")	0V to +0.8V at -1mA	
Input Logic Level, Bit OFF ("1")	+2.4V to +5.5V at +40µA	
Logic Loading	1 TTL load	
PERFORMANCE ①		
Voltage Output Nonlinearity	±1/2LSB max.	±1/4LSB max.
Differential Nonlinearity	±3/4LSB max	±1/4LSB max.
Gain Error, Before Trimming	±0.1% ②	*
Zero Error, Before Trimming	±0.1% of FSR ②	*
Gain Tempco, maximum	±20ppm/°C	*
Zero Tempco, Unipolar, max.	±3ppm/°C of FSR	*
Offset Tempco, Bipolar, max.	±10ppm/°C of FSR	*
Diff. Nonlinearity Tempco, max.	±2ppm/°C of FSR	*
Monotonicity	Over oper. temp. range	*
Settling Time, I_{OUT} to ±1/2LSB ③	300ns	*
Settling Time, V_{OUT} to ±1/2LSB	3µs ④	*
Slew Rate	±10V/µs	*
Power Supply Rejection	±0.006%FSR/%Sup.	*
OUTPUTS		
Output Current, Unipolar	0 to -2mA, ±20%	0 to -1.25mA, ±10%
Output Current, Bipolar	±1mA, ±20%	—
Compliance Voltage, I_{OUT}	±2.5V	*
Output Impedance, I_{OUT}, Unipolar	2kΩ	*
Output Impedance, I_{OUT}, Bipolar	2kΩ	—
Output Voltage Ranges, Unipolar	0 to +5V 0 to +10V	0 to +2.5V 0 to +5V 0 to +10V
Output Voltage Ranges, Bipolar	±2.5V ±5V ±10V	— — —
Output Current, V_{OUT}	±5mA min.	*
Output Impedance, V_{OUT}	0.05Ω	*
POWER REQUIREMENTS		
Power Supply Voltages	+15V, ±0.5V at 16mA -15V, ±0.5V at 20mA ±12V operation ⑤	
Power Dissipation, maximum	500mW	
PHYSICAL ENVIRONMENTAL		
Operating Temp. Ranges, Case	0°C to +70° and -55°C to +125°C	
Storage Temp. Range	-65°C to +150°C	
Thermal Impedance		
θ _{jc}	7.4°C/W	
θ _{ca}	36.6°C/W	
Package Type	24-pin DDIP	
Weight	0.22 ounces (6.3 grams)	

* Specifications same as first column.

— No equivalent specifications

Footnotes

- ① FSR is full-scale range and is 10V for 0 to +10V or -5V to +5V outputs, 20V for ±10V output, etc.
- ② Initial gain and offset errors are trimmable to zero. See Connection Diagrams.
- ③ Current output mode.
- ④ For 2.5kΩ or 5kΩ feedback. For 10kΩ feedback, the settling time is 4µs.
- ⑤ For ±12V operation of binary models, contact factory.

TECHNICAL NOTES

1. The DAC-HZ12 Series converters are designed and factory calibrated to give ±1/2LSB linearity (binary version) and ±1/4LSB linearity (BCD version) with respect to a straight line between end points. This means that if zero and full scale are exactly adjusted externally, the relative accuracy will be ±1/2LSB (±1/4LSB, BCD version) everywhere over the full output range without any additional adjustments.
2. These converters must be operated with local supply bypass capacitors from +15V to ground and -15V to ground. Tantalum type capacitors of 1µF are recommended and should be mounted as close as possible to the converter. If the converters are used in a high-frequency noise environment, a 0.01µF ceramic capacitor should be used across each tantalum capacitor.
3. When operating in the current output mode, the equivalent internal current source of 2mA (1.25mA, BCD) must drive both the internal source resistances and the external load resistor. A 300ns output settling time is achieved for the voltage across a 100Ω load resistor; for higher value resistors the settling time becomes longer due to the output capacitance of the converter. For fastest possible voltage output for a large transition, an external fast-settling amplifier such as DATEL's AM-500 should be used in the inverting mode. Settling time of less than 1µs can be achieved. See application diagram.

CALIBRATION PROCEDURE

1. Select the desired output range and connect the converter as shown in the Output Range Selection tables and the connection diagrams.
2. To calibrate, refer to the coding tables. Note that complementary coding is used.
3. **Zero and Offset Adjustments**
For unipolar operation set all digital inputs to "1" (+2.0 to +5.5V) and adjust the ZERO ADJUST potentiometer for zero output voltage or current. For bipolar operation set all digital inputs to "1" and adjust the OFFSET ADJUST potentiometer for the negative full scale (for voltage out) or positive full scale (for current out) output value shown in the coding table.
4. **Gain Adjustment**
Set all digital inputs to "0" (0V to +0.8V) and adjust the GAIN ADJUST potentiometer for the positive full scale (for voltage out) or negative full scale (for current out) output value shown in the coding table.

OUTPUT RANGE SELECTION TABLES

DAC-HZ12B Binary Output Range Selection				
V _{OUT} RANGE	CONNECT THESE PINS TOGETHER			
±10V	15 & 19	17 & 20	—	16 & 24
±5V	15 & 18	17 & 20	—	16 & 24
±2.5V	15 & 18	17 & 20	19 & 20	16 & 24
+10V	15 & 18	17 & 21	—	16 & 24
+5V	15 & 18	17 & 21	19 & 20	16 & 24
±1mA	—	17 & 20	—	16 & 24

DAC-HZ12D BCD Output Range Selection				
+10V	15 & 19	17 & 21	—	16 & 24
+5V	15 & 18	17 & 21	—	16 & 24
+2.5V	15 & 18	17 & 21	19 & 20	16 & 24
-1.25mA	—	17 & 21	—	16 & 24

Voltage output is at pin 15; current output is at pin 20.

OUTPUT CODING TABLES

Unipolar Output, Complementary Binary						
BINARY INPUT CODE		UNIPOLAR OUTPUT RANGES				
MSB	LSB	0 to +10V	0 to +5V	0 to +2.5V	0 to -2mA	
0000	0000	+9.9976V	+4.9988V	+2.4988	-1.9995	
0011	1111	+7.5000	+3.7500	+1.8750	-0.9375	
0111	1111	+5.0000	+2.5000	+1.2500	-0.6250	
1011	1111	+2.5000	+1.2500	+0.6250	-0.3125	
1111	1111	+0.0024	+0.0012	+0.0006	-0.0003	
1111	1111	0.0000	0.0000	0.0000	0.0000	

Unipolar Output, Complementary BCD						
BCD INPUT CODE		UNIPOLAR OUTPUT RANGES				
MSB	LSB	0 to +10V	0 to +5V	0 to +2.5V	0 to -2mA	
0110	0110	+9.990	+4.995	+2.498	-1.2488	
1000	1010	+7.500	+3.750	+1.875	-0.9375	
1010	1111	+5.000	+2.5000	+1.250	-0.6250	
1101	1010	+2.5000	+1.250	+0.625	-0.3125	
1111	1111	+0.0100	+0.005	+0.003	-0.0013	
1111	1111	0.0000	0.0000	0.0000	0.0000	

Bipolar Output, Complementary Offset Binary						
INPUT CODE		BIPOLAR OUTPUT RANGES				
MSB	LSB	±10V	±5V	±2.5V	±1mA	
0000	0000	+9.9951	+4.9976	+2.4988	-0.9995	
0011	1111	+5.0000	+2.5000	+1.2500	-0.5000	
0111	1111	0.0000	0.0000	0.0000	0.0000	
1011	1111	-5.0000	-2.5000	-1.2500	+0.5000	
1111	1111	-9.9951	-4.9976	-2.4988	+0.9995	
1111	1111	-10.0000	-5.0000	-2.5000	+1.0000	

CONNECTION DIAGRAMS

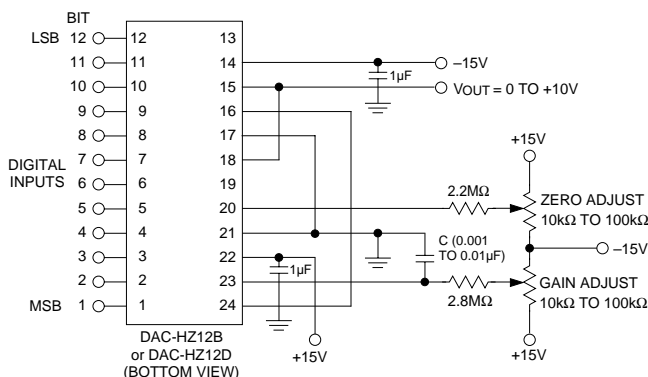


Figure 2. Unipolar Voltage Output Connections

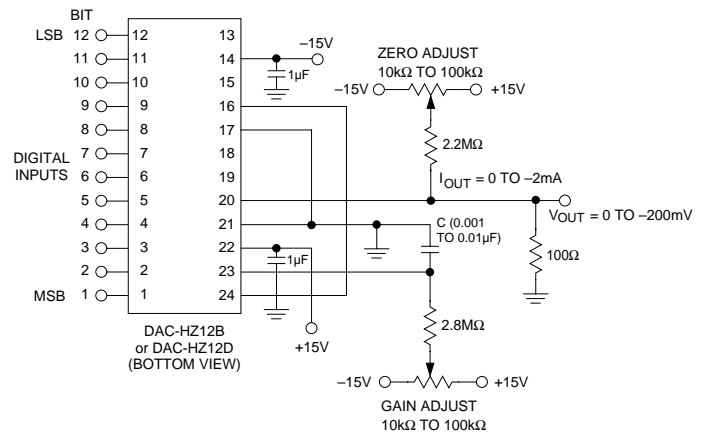
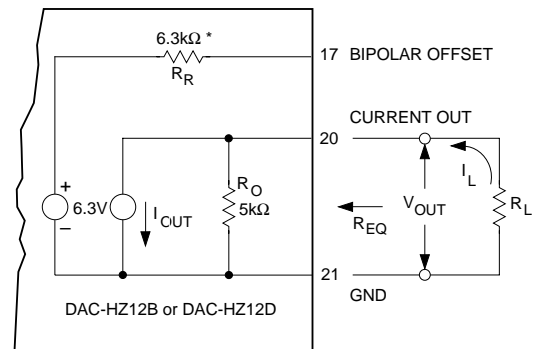


Figure 3. Unipolar Current Output Connections



*This resistor is open circuit for BCD models

$V_{OUT} = \pm 2.5V$ Maximum
(Output compliance voltage)

$R_{EQ} = R_O = 5k\Omega$ for unipolar operation

$R_{EQ} = R_R \parallel R_O = 2.8k\Omega$ for bipolar operation

$I_{OUT} = 2mA$ binary
 $= 1.25mA$ BCD

Figure 4. Equivalent Current Mode Output Circuit

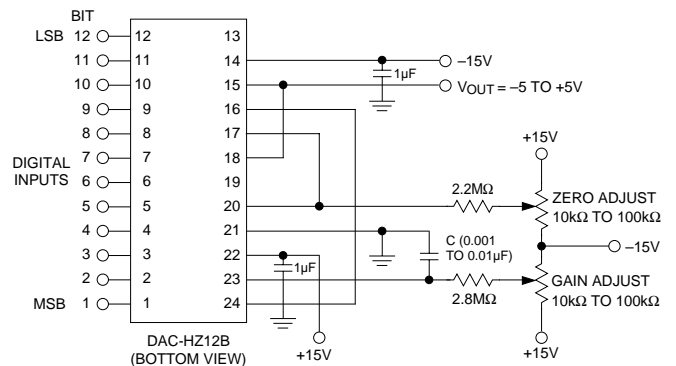


Figure 5. Bipolar Voltage Output Connections

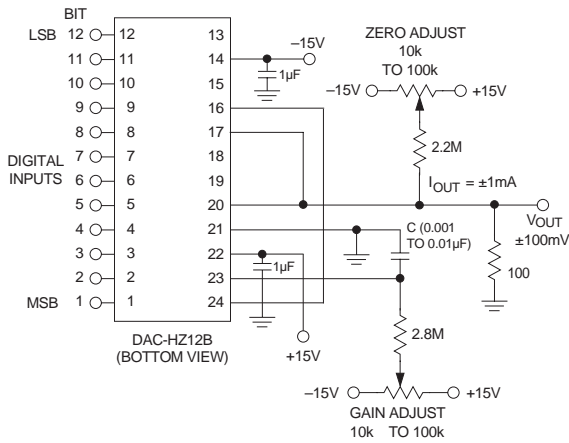
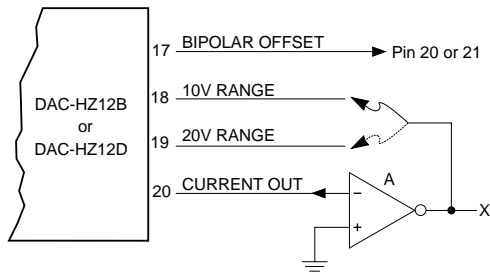


Figure 6. Bipolar Current Output Connections

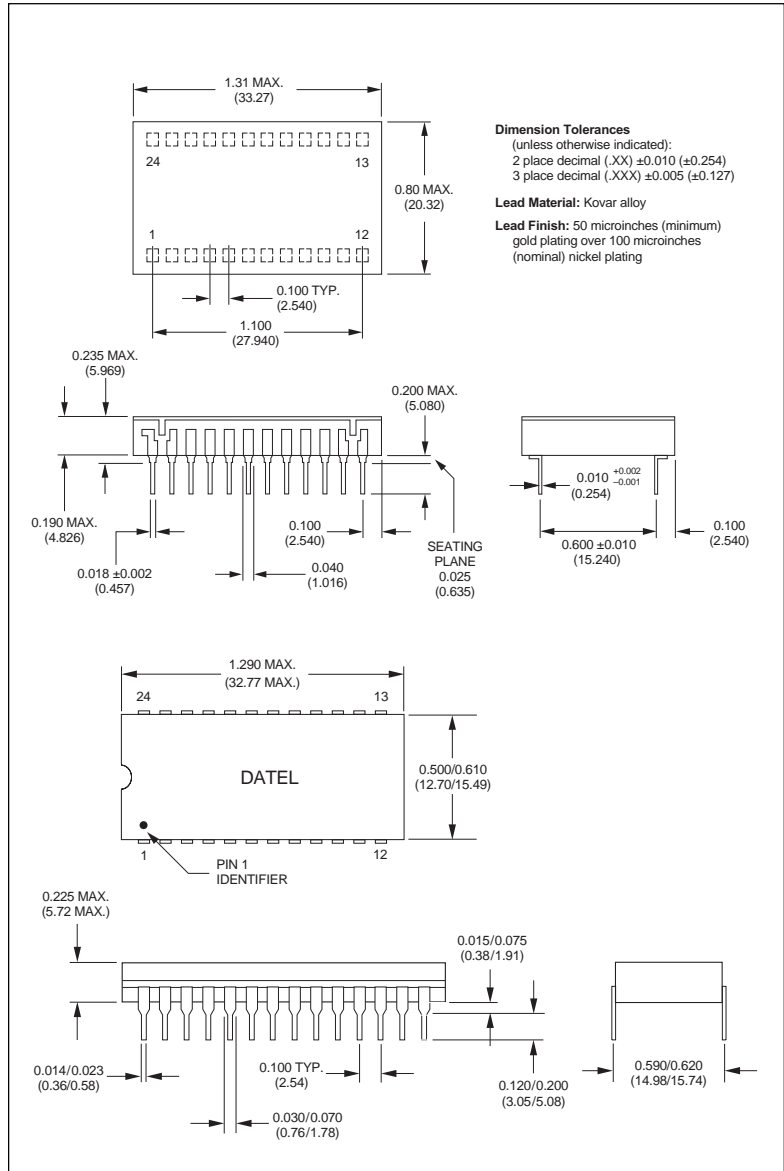


A = External high-speed inverting op amp; use DATEL's AM-500 for less than 1µsec output settling.

Refer to the output range selection tables, Tables 1 and 2. Wherever pin 15 appears, use pin X of the external amplifier and scale as desired.

Figure 7. Using a High-Speed External Op Amp for Faster Settling

MECHANICAL DIMENSIONS INCHES (mm)



Dimension Tolerances
(unless otherwise indicated):
2 place decimal (.XX) ±0.010 (±0.254)
3 place decimal (.XXX) ±0.005 (±0.127)

Lead Material: Kovar alloy

Lead Finish: 50 microinches (minimum) gold plating over 100 microinches (nominal) nickel plating

ORDERING INFORMATION

MODEL	OPERATING TEMP. RANGE	OUTPUT CODING	MODEL	OPERATING TEMP. RANGE	OUTPUT CODING
DAC-HZ12BGC	0 to +70°C	Binary	DAC-HZ12DGC	0 to +70°C	BCD
DAC-HZ12BMC	0 to +70°C	Binary	DAC-HZ12DMC	0 to +70°C	BCD
DAC-HZ12BMM	-55 to +125°C	Binary	DAC-HZ12DMM	-55 to +125°C	BCD
DAC-HZ12BMM-QL	-55 to +125°C	Binary	DAC-HZ12DMM-QL	-55 to +125°C	BCD

Contact DATEL for information concerning our QL high-reliability screening program.