

# LM5020

## 100V Current Mode PWM Controller

### General Description

The LM5020 high voltage pulse-width-modulation (PWM) controller contains all of the features needed to implement single ended primary power converter topologies. Output voltage regulation is based on current-mode control, which eases the design of loop compensation while providing inherent line feed-forward. The LM5020 includes a high-voltage start-up regulator that operates over a wide input range up to 100V. The PWM controller is designed for high speed capability including an oscillator frequency range to 1MHz and total propagation delays less than 100ns. Additional features include an error amplifier, precision reference, line under-voltage lockout, cycle-by-cycle current limit, slope compensation, softstart, oscillator synchronization capability and thermal shutdown. The controller is available in both MSOP-10 and LLP-10 packages.

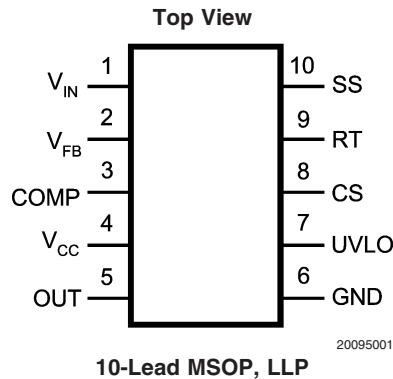
### Features

- Internal Start-up Bias Regulator
- Error Amplifier
- Precision Voltage Reference
- Programmable Softstart
- 1A Peak Gate Driver
- Maximum Duty Cycle Limiting (80% for LM5020-1 or 50% for LM5020-2)
- Programmable Line Under Voltage Lockout (UVLO) with Adjustable Hysteresis
- Cycle-by-Cycle Over-Current Protection
- Slope Compensation (LM5020-1)
- Programmable Oscillator Frequency with Synchronization Capability
- Current Sense Leading Edge Blanking
- Thermal Shutdown Protection

### Packages

- MSOP-10
- LLP-10 (4 mm x 4 mm)

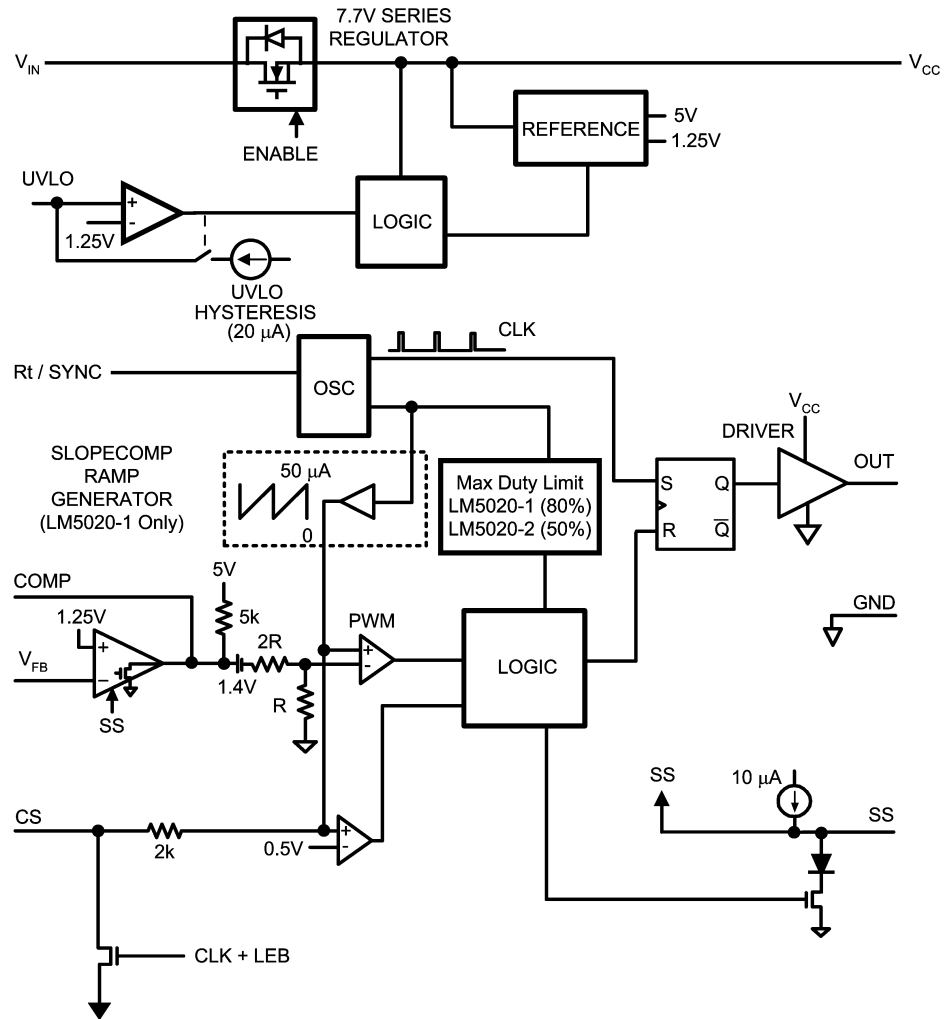
### Connection Diagram



### Ordering Information

| Order Number | Description                | NSC Package Drawing | Supplied As                 |
|--------------|----------------------------|---------------------|-----------------------------|
| LM5020MM-1   | MSOP, 80% Duty Cycle Limit | MUB-10A             | 1000 Units on Tape and Reel |
| LM5020MMX-1  | MSOP, 80% Duty Cycle Limit | MUB-10A             | 3500 Units on Tape and Reel |
| LM5020SD-1   | LLP, 80% Duty Cycle Limit  | SDC-10A             | 1000 Units on Tape and Reel |
| LM5020SDX-1  | LLP, 80% Duty Cycle Limit  | SDC-10A             | 4500 Units on Tape and Reel |
| LM5020MM-2   | MSOP, 50% Duty Cycle Limit | MUB-10A             | 1000 Units on Tape and Reel |
| LM5020MMX-2  | MSOP, 50% Duty Cycle Limit | MUB-10A             | 3500 Units on Tape and Reel |
| LM5020SD-2   | LLP, 50% Duty Cycle Limit  | SDC-10A             | 1000 Units on Tape and Reel |
| LM5020SDX-2  | LLP, 50% Duty Cycle Limit  | SDC-10A             | 4500 Units on Tape and Reel |

## Block Diagram



20095002

FIGURE 1.

## Pin Description

| PIN | NAME            | DESCRIPTION  | APPLICATION INFORMATION  |
|-----|-----------------|--|--|
| 1   | Vin             | Source Input Voltage   | Input to start-up regulator. Input range 13V to 100V.  |
| 2   | FB              | Feedback Signal  | Inverting input of the internal error amplifier. The non-inverting input is internally connected to a 1.25V reference.   |
| 3   | COMP            | The output of the error amplifier and input to the Pulse Width Modulator                 | COMP pull-up is provided by an internal 5K resistor which may be used to bias an opto-coupler transistor.  |
| 4   | V <sub>CC</sub> | Output of the internal high voltage series pass regulator. Regulated output voltage 7.7V | If an auxiliary winding raises the voltage on this pin above the regulation set point, the internal series pass regulator will shutdown, reducing the controller power dissipation.  |
| 5   | OUT             | Output of the PWM controller   | Gate driver output with a 1A peak current capability   |
| 6   | GND             | Ground return  |  |
| 7   | UVLO            | Line Under-Voltage Shutdown  | An external resistor divider from the power converter source sets the shutdown levels. The threshold of operation equals 1.25V. Hysteresis is set by a switched internal 20μA current source.  |
| 8   | CS              | Current Sense input  | Current sense input for current mode control and over-current protection. Current limiting is accomplished using a dedicated current sense comparator. If the CS comparator input exceeds 0.5V the OUT pin switches low for cycle-by-cycle current limiting. CS is held low for 50ns after OUT switches high to blank leading edge current spikes. |
| 9   | RT / SYNC       | Oscillator timing resistor pin and synchronization input                                 | An external resistor connected from RT to GND sets the oscillator frequency. This pin will also accept synchronization pulses from an external clock.  |
| 10  | SS              | Softstart Input  | An external capacitor and an internal 10μA current source set the soft-start ramp rate.  |

**Absolute Maximum Ratings** (Note 1)

If Military/Aerospace specified devices are required, please contact the National Semiconductor Sales Office/Distributors for availability and specifications.

|                       |                    |
|-----------------------|--------------------|
| $V_{IN}$ to GND       | -0.3V to 100V      |
| $V_{CC}$ to GND       | -0.3V to 16V       |
| RT to GND             | -0.3V to 5.5V      |
| All other pins to GND | -0.3V to 7V        |
| Power Dissipation     | Internally Limited |
| ESD Rating (Note 2)   |                    |
| Human Body Model      | 2kV                |

|                      |                 |
|----------------------|-----------------|
| Storage Temperature  | -55°C to +150°C |
| Junction Temperature | 150°C           |

**Operating Ratings**

|                                      |                 |
|--------------------------------------|-----------------|
| $V_{IN}$ Voltage                     | 13V to 90V      |
| External Voltage applied to $V_{CC}$ | 8V to 15V       |
| Operating Junction Temperature       | -40°C to +125°C |

**Electrical Characteristics**

Specifications in standard type face are for  $T_J = +25^\circ\text{C}$  and those in **boldface type** apply over the full operating junction temperature range. Unless otherwise specified:  $V_{IN} = 48\text{V}$ ,  $V_{CC} = 10\text{V}$ , and  $RT = 31.6\text{K}\Omega$

| Symbol                            | Parameter                                       | Conditions   | Min                   | Typ            | Max          | Units         |
|-----------------------------------|---|--|-----------------------|----------------|--------------|---------------|
| <b>Startup Regulator</b>          |   |  |                       |                |              |               |
| $V_{CCReg}$                       | $V_{CC}$ Regulation                             | Open ckt   | <b>7.4</b>            | 7.7            | <b>8.0</b>   | V             |
|                                   | $V_{CC}$ Current Limit                          | (Note 4)   | <b>15</b>             | 22             |              | mA            |
| $I-V_{IN}$                        | Startup Regulator Leakage                       | $V_{IN} = 100\text{V}$   |                       | 150            | <b>500</b>   | $\mu\text{A}$ |
| $I_{IN}$                          | Shutdown Current                                | $V_{UVLO} = 0\text{V}$ , $V_{CC} = \text{open}$                    |                       | 250            | <b>350</b>   | $\mu\text{A}$ |
| <b><math>V_{CC}</math> Supply</b> |   |  |                       |                |              |               |
|                                   | $V_{CC}$ UVLO (Rising)                          |  | <b>VccReg - 300mV</b> | VccReg - 100mV |              | V             |
|                                   | $V_{CC}$ UVLO (Falling)                         |  | <b>5.3</b>            | 6.0            | <b>6.7</b>   | V             |
| $I_{CC}$                          | Supply Current                                  | Clload = 0   |                       | 2              | <b>3</b>     | mA            |
| <b>Error Amplifier</b>            |   |  |                       |                |              |               |
| GBW                               | Gain Bandwidth                                  |  |                       | 4              |              | MHz           |
|                                   | DC Gain   |  |                       | 75             |              | dB            |
|                                   | Input Voltage                                   | $V_{FB} = \text{COMP}$   | <b>1.225</b>          | 1.25           | <b>1.275</b> | V             |
|                                   | COMP Sink Capability                            | $V_{FB} = 1.5\text{V COMP} = 1\text{V}$                            | <b>5</b>              | 17             |              | mA            |
| <b>Line UVLO Shutdown</b>         |   |  |                       |                |              |               |
|                                   | Shutdown Threshold                              |  | <b>1.225</b>          | 1.25           | <b>1.275</b> | V             |
|                                   | Undervoltage Shutdown Hysteresis Current Source |  | <b>16</b>             | 20             | <b>24</b>    | $\mu\text{A}$ |
| <b>Current Limit</b>              |   |  |                       |                |              |               |
|                                   | ILIM Delay to Output                            | CS step from 0 to 0.6V<br>Time to onset of OUT<br>Transition (90%) |                       | 30             |              | ns            |
| CS                                | Cycle by Cycle CS Threshold Voltage             |  | <b>0.45</b>           | 0.5            | <b>0.55</b>  | V             |
|                                   | Leading Edge Blanking Time                      |  |                       | 50             |              | ns            |
|                                   | CS Sink Impedance (clocked)                     |  |                       | 35             | <b>55</b>    | $\Omega$      |
| <b>Soft Start</b>                 |   |  |                       |                |              |               |
|                                   | Softstart Current Source                        |  | <b>7</b>              | 10             | <b>13</b>    | $\mu\text{A}$ |
|                                   | Softstart to COMP Offset                        |  | <b>0.35</b>           | 0.55           | <b>0.75</b>  | V             |

## Electrical Characteristics (Continued)

Specifications in standard type face are for  $T_J = +25^\circ\text{C}$  and those in **boldface type** apply over the full operating junction temperature range. Unless otherwise specified:  $V_{IN} = 48\text{V}$ ,  $V_{CC} = 10\text{V}$ , and  $RT = 31.6\text{k}\Omega$

| Symbol                    | Parameter                                   | Conditions   | Min        | Typ  | Max         | Units            |
|---------------------------|---|--|------------|------|-------------|------------------|
| <b>Oscillator</b>         |   |  |            |      |             |                  |
|                           | Frequency1 (RT = 31.6k)                     | (Note 5)   | <b>175</b> | 200  | <b>225</b>  | kHz              |
|                           | Frequency2 (RT = 9.76k)                     | (Note 5)   | <b>560</b> | 630  | <b>700</b>  | kHz              |
|                           | Sync threshold                              |  | <b>2.4</b> | 3.2  | <b>3.8</b>  | V                |
| <b>PWM Comparator</b>     |   |  |            |      |             |                  |
|                           | Delay to Output                             | COMP set to 2V CS stepped 0 to 0.4V, Time to onset of OUT transition low |            | 25   |             | ns               |
|                           | Min Duty Cycle                              | COMP=0V  |            |      | 0           | %                |
|                           | Max Duty Cycle (-1 Device)                  |  | <b>75</b>  | 80   | <b>85</b>   | %                |
|                           | Max Duty Cycle (-2 Device)                  |  |            | 50   |             | %                |
|                           | COMP to PWM Comparator Gain                 |  |            | 0.33 |             |                  |
|                           | COMP Open Circuit Voltage                   |  | <b>4.3</b> | 5.2  | <b>6.1</b>  | V                |
|                           | COMP Short Circuit Current                  | COMP=0V  | <b>0.6</b> | 1.1  | <b>1.5</b>  | mA               |
| <b>Slope Compensation</b> |   |  |            |      |             |                  |
|                           | Slope Comp Amplitude (LM5020-1 Device Only) | Delta increase at PWM Comparator to CS                                   | <b>80</b>  | 105  | <b>130</b>  | mV               |
| <b>Output Section</b>     |   |  |            |      |             |                  |
|                           | Output High Saturation                      | $I_{OUT} = 50\text{mA}$ , $V_{CC} - V_{OUT}$                             |            | 0.25 | <b>0.75</b> | V                |
|                           | Output Low Saturation                       | $I_{OUT} = 100\text{mA}$ , $V_{OUT}$                                     |            | 0.25 | <b>0.75</b> | V                |
|                           | Rise Time                                   | $C_{load} = 1\text{nF}$  |            | 18   |             | ns               |
|                           | Fall Time                                   | $C_{load} = 1\text{nF}$  |            | 15   |             | ns               |
| <b>Thermal Shutdown</b>   |   |  |            |      |             |                  |
| Tsd                       | Thermal Shutdown Temp.                      |  |            | 165  |             | $^\circ\text{C}$ |
|                           | Thermal Shutdown Hysteresis                 |  |            | 25   |             | $^\circ\text{C}$ |

**Note 1:** Absolute Maximum Ratings are limits beyond which damage to the device may occur. Operating Ratings are conditions under which operation of the device is intended to be functional. For guaranteed specifications and test conditions, see the Electrical Characteristics.

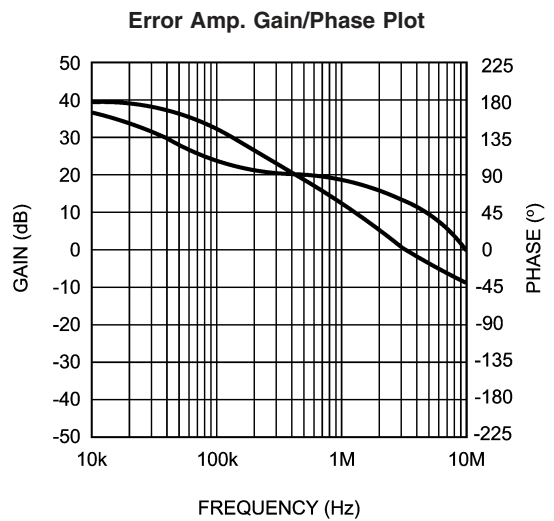
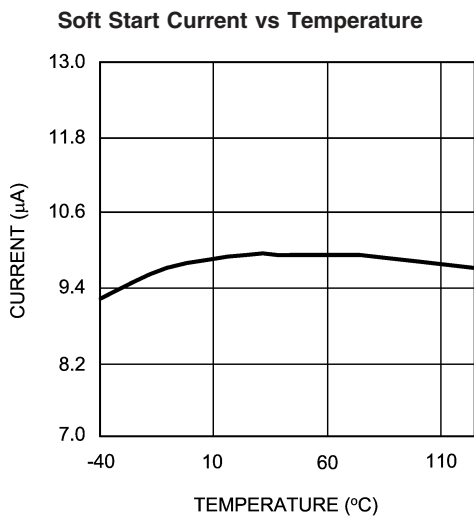
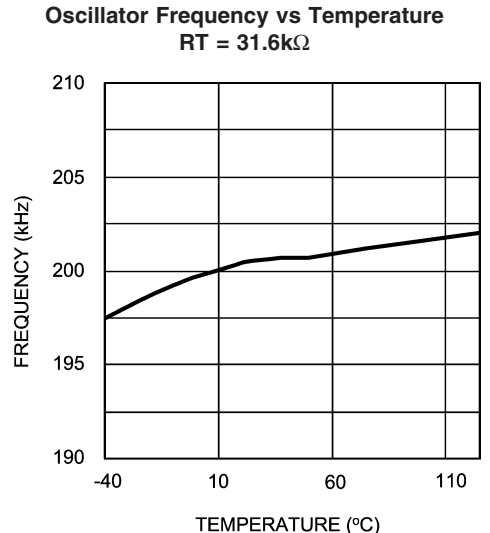
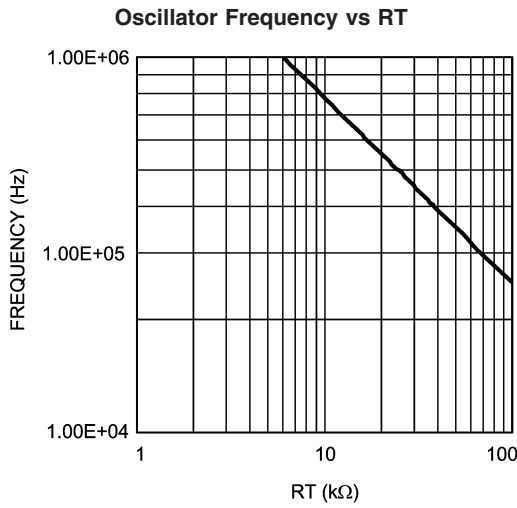
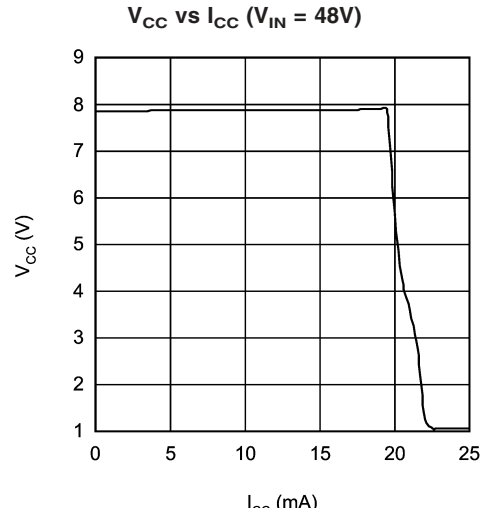
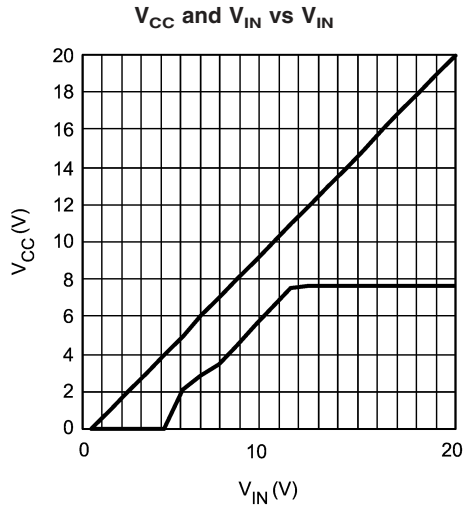
**Note 2:** The human body model is a 100 pF capacitor discharged through a 1.5k $\Omega$  resistor.

**Note 3:** Limits are 100% production tested at 25 $^\circ\text{C}$ . Limits over the operating temperature range are guaranteed through correlation using Statistical Quality Control (SQC) methods. The limits are used to calculate National's Average Outgoing Quality Level (AOQL).

**Note 4:** Device thermal limitations may limit usable range.

**Note 5:** Specification applies to the oscillator frequency. The operational frequency of the LM5020-2 devices is divided by two.

**Typical Performance Characteristics** Unless otherwise specified:  $T_J = 25^\circ\text{C}$ .



## Detailed Operating Description

The LM5020 High Voltage PWM controller contains all of the features needed to implement single ended primary power converter topologies. The LM5020 includes a high-voltage startup regulator that operates over a wide input range to 100V. The PWM controller is designed for high speed capability including an oscillator frequency range to 1MHz and total propagation delays less than 100ns. Additional features include an error amplifier, precision reference, line under-voltage lockout, cycle-by-cycle current limit, slope compensation, softstart, oscillator sync capability and thermal shut-down. The functional block diagram of the LM5020 is shown in Figure 1. The LM5020 is designed for current-mode control power converters, which require a single drive output, such as Flyback and Forward topologies. The LM5020 provides all of the advantages of current-mode control including line feed-forward, cycle-by-cycle current limiting and simplified loop compensation.

### High Voltage Start-Up Regulator

The LM5020 contains an internal high voltage startup regulator, that allows the input pin ( $V_{in}$ ) to be connected directly to line voltages as high as 100V. The regulator output is internally current limited to 15mA. When power is applied, the regulator is enabled and sources current into an external capacitor connected to the  $V_{CC}$  pin. The recommended capacitance range for the  $V_{CC}$  regulator is 0.1 $\mu$ F to 100 $\mu$ F. When the voltage on the  $V_{CC}$  pin reaches the regulation level of 7.7V, the controller output is enabled. The controller will remain enabled until  $V_{CC}$  falls below 6V.

In typical applications, a transformer auxiliary winding is connected through a diode to the  $V_{CC}$  pin. This winding should raise the  $V_{CC}$  voltage above 8V to shut off the internal startup regulator. Powering  $V_{CC}$  from an auxiliary winding improves conversion efficiency while reducing the power dissipated in the controller. The external  $V_{CC}$  capacitor must be selected such that the capacitor maintains the  $V_{CC}$  voltage greater than the  $V_{CC}$  UVLO falling threshold (6V) during the initial start-up. During a fault condition when the converter auxiliary winding is inactive, external current draw on the  $V_{CC}$  line should be limited such that the power dissipated in the start-up regulator does not exceed the maximum power dissipation capability of the controller.

An external start-up or other bias rail can be used instead of the internal start-up regulator by connecting the  $V_{CC}$  and the  $V_{in}$  pins together and feeding the external bias voltage (8-15V) to the two pins.

### Line Under Voltage Detector

The LM5020 contains a line Under Voltage Lock Out (UVLO) circuit. An external set-point voltage divider from  $V_{in}$  to GND sets the operational range of the converter. The resistor divider must be designed such that the voltage at the UVLO pin is greater than 1.25V when  $V_{in}$  is in the desired operating range. If the under voltage threshold is not met, all functions of the controller are disabled and the controller remains in a low power standby state.

UVLO hysteresis is accomplished with an internal 20 $\mu$ A current source that is switched on or off into the impedance of the set-point divider. When the UVLO threshold is exceeded, the current source is activated to instantly raise the voltage at the UVLO pin. When the UVLO pin voltage falls below the 1.25V threshold the current source is turned off, causing the voltage at the UVLO pin to fall. The UVLO pin can also be used to implement a remote enable / disable function. If an external transistor pulls the UVLO pin below the 1.25V threshold, the converter will be disabled.

### Error Amplifier

An internal high gain error amplifier is provided within the LM5020. The amplifier's non-inverting input is internally set to a fixed reference voltage of 1.25V. The inverting input is connected to the FB pin. In non-isolated applications, the power converter output is connected to the FB pin via voltage scaling resistors. Loop compensation components are connected between the COMP and FB pins. For most isolated applications the error amplifier function is implemented on the secondary side of the converter and the internal error amplifier is not used. The internal error amplifier is configured as an open drain output and can be disabled by connecting the FB pin to ground. An internal 5K pull-up resistor between a 5V reference and COMP can be used as the pull-up for an optocoupler in isolated applications.

### Current Limit/Current Sense

The LM5020 provides a cycle-by-cycle over current protection function. Current limit is accomplished by an internal current sense comparator. If the voltage at current sense comparator input exceeds 0.5V, the output will be immediately terminated. A small RC filter, located near the controller, is recommended to filter noise from the current sense signal. The CS input has an internal MOSFET which discharges the CS pin capacitance at the conclusion of every cycle. The discharge device remains on an additional 50ns after the beginning of the new cycle to attenuate the leading edge spike on the current sense signal.

The LM5020 current sense and PWM comparators are very fast, and may respond to short duration noise pulses. Layout considerations are critical for the current sense filter and sense resistor. The capacitor associated with the CS filter must be located very close to the device and connected directly to the pins of the controller (CS and GND). If a current sense transformer is used, both leads of the transformer secondary should be routed to the sense resistor and the current sense filter network. A sense resistor located in the source of the primary power MOSFET may be used for current sensing, but a low inductance resistor is required. When designing with a current sense resistor all of the noise sensitive low power ground connections should be connected together local to the controller and a single connection should be made to the high current power ground (sense resistor ground point).

## Oscillator and Sync Capability

A single external resistor connected between the RT and GND pins sets the LM5020 oscillator frequency. Internal to the LM5020–2 device (50% duty cycle limited option) is an oscillator divide by two circuit. This divide by two circuit creates an exact 50% duty cycle pulse which is used internally to create a precise 50% duty cycle limit function. Because of this, the internal oscillator actually operates at twice the frequency of the output (OUT). For the LM5020–1 device the oscillator frequency and the operational output frequency are the same. To set a desired output operational frequency (F), the RT resistor can be calculated from:

**LM5020-1:**

$$RT = \frac{1}{F \times 158 \times 10^{-12}}$$

**LM5020-2:**

$$RT = \frac{1}{F \times 316 \times 10^{-12}}$$

The LM5020 can also be synchronized to an external clock. The external clock must have a higher frequency than the free running oscillator frequency set by the RT resistor. The clock signal should be capacitively coupled into the RT pin with a 100pF capacitor. A peak voltage level greater than 3.7 Volts at the RT pin is required for detection of the sync pulse. The sync pulse width should be set between 15 to 150ns by the external components. The RT resistor is always required, whether the oscillator is free running or externally synchronized. The voltage at the RT pin is internally regulated to a 2 Volts. The RT resistor should be located very close to the device and connected directly to the pins of the controller (RT and GND).

## PWM Comparator / Slope Compensation

The PWM comparator compares the current ramp signal with the loop error voltage derived from the error amplifier output. The error amplifier output voltage at the COMP pin is offset by 1.4V and then further attenuated by a 3:1 resistor divider. The PWM comparator polarity is such that 0 Volts on the COMP pin will result in a zero duty cycle at the controller output. For duty cycles greater than 50 percent, current mode control circuits are subject to sub-harmonic oscillation. By adding an additional fixed slope voltage ramp signal

(slope compensation) to the current sense signal, this oscillation can be avoided. The LM5020-1 integrates this slope compensation by summing a current ramp generated by the oscillator with the current sense signal. Additional slope compensation may be added by increasing the source impedance of the current sense signal. Since the LM5020-2 is not capable of duty cycles greater than 50%, there is no slope compensation feature in this device.

## Soft Start

The softstart feature allows the power converter to gradually reach the initial steady state operating point, thereby reducing start-up stresses and current surges. At power on, after the  $V_{CC}$  and the line undervoltage lockout thresholds are satisfied, an internal 10µA current source charges an external capacitor connected to the SS pin. The capacitor voltage will ramp up slowly and will limit the COMP pin voltage and the duty cycle of the output pulses.

## Gate Driver and Maximum Duty Cycle Limit

The LM5020 provides an internal gate driver (OUT), which can source and sink a peak current of 1 Amp. The LM5020 is available in two duty cycle limit options. The maximum output duty cycle is typically 80% for the LM5020-1 option and precisely equal to 50% for the LM5020-2 option. The maximum duty cycle function for the LM5020-2 is accomplished with an internal toggle flip-flop which ensures an accurate duty cycle limit. The internal oscillator frequency of the LM5020-2 is therefore twice the operating frequency of the PWM controller (OUT pin).

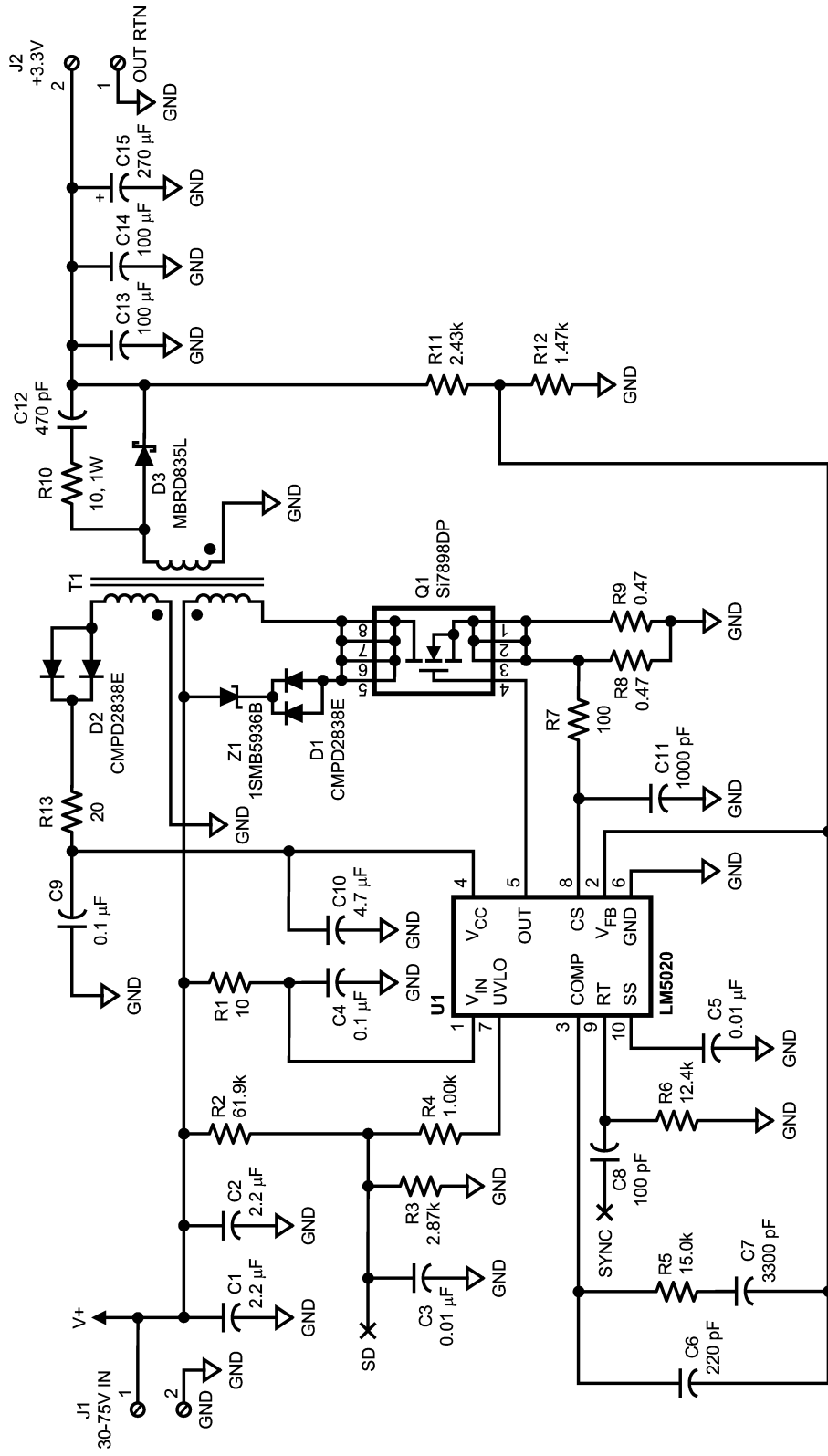
The 80% maximum duty cycle limit of the LM5020-1 is determined by the internal oscillator and varies more than the 50% limit of the LM5020-2. For the LM5020-1 the internal oscillator frequency and the operational frequency of the PWM controller are equal.

## Thermal Protection

Internal thermal shutdown circuitry is provided to protect the integrated circuit in the event the maximum junction temperature is exceeded. This feature prevents catastrophic failures from accidental device overheating. When activated, typically at 165 degrees Celsius, the controller is forced into a low power standby state, disabling the output driver and the bias regulator. After the temperature is reduced (typical hysteresis = 25°C) the  $V_{CC}$  regulator will be enabled and a softstart sequence initiated.



# Typical Application Circuit: 36V - 75 V<sub>IN</sub> and 3.3V, 4.5A OUT



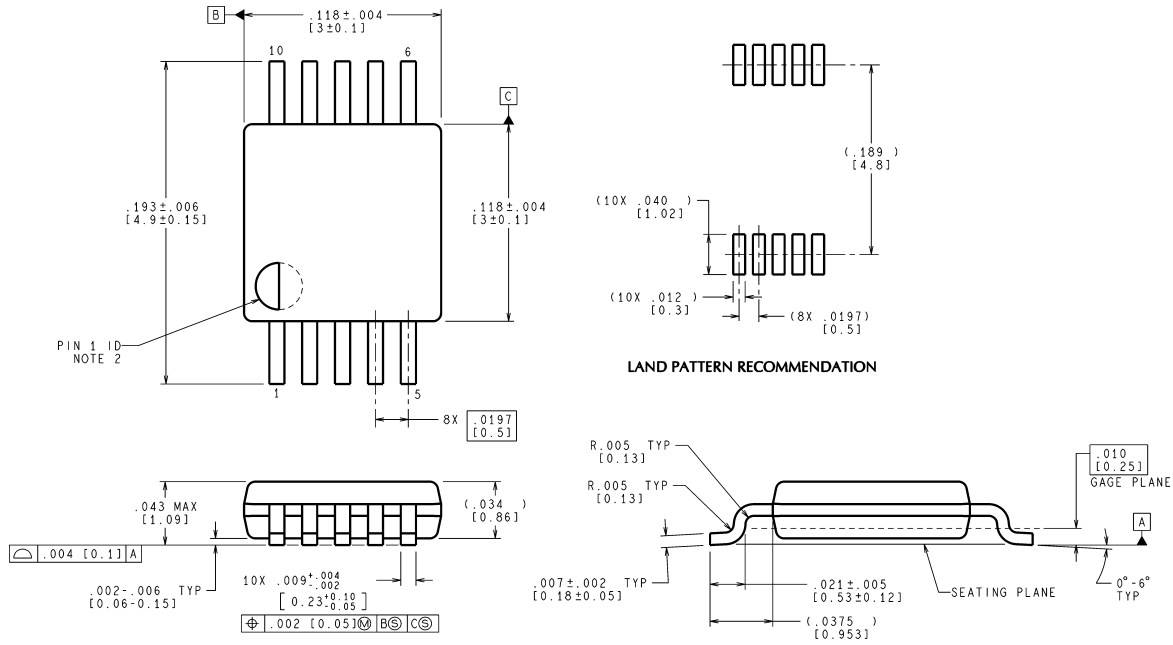
20095005

## Bill Of Materials

| ITEM |    | PART NUMBER       | DESCRIPTION                               | VALUE             |
|------|----|-------------------|---|-------------------|
| C    | 1  | C4532X7R2A225M    | CAPACITOR, CER, TDK                       | 2.2 $\mu$ F, 100V |
| C    | 2  | C4532X7R2A225M    | CAPACITOR, CER, TDK                       | 2.2 $\mu$ F, 100V |
| C    | 3  | C2012X7R1H103K    | CAPACITOR, CER, TDK                       | 0.01 $\mu$ F, 50V |
| C    | 4  | C3216X7R2A104K    | CAPACITOR, CER, TDK                       | 0.1 $\mu$ F, 100V |
| C    | 5  | C2012X7R1H103K    | CAPACITOR, CER, TDK                       | 0.01 $\mu$ F, 50V |
| C    | 6  | C2012C0G1H221J    | CAPACITOR, CER, KEMET                     | 220pF, 50V        |
| C    | 7  | C2012C0G1H332J    | CAPACITOR, CER, TDK                       | 3300pF, 50V       |
| C    | 8  | C2012C0G1H101J    | CAPACITOR, CER, TDK                       | 100pF, 50V        |
| C    | 9  | C2012X7R1H104K    | CAPACITOR, CER, TDK                       | 0.1 $\mu$ F, 50V  |
| C    | 10 | C3216X7R1C475K    | CAPACITOR, CER, TDK                       | 4.7 $\mu$ F, 16V  |
| C    | 11 | C2012C0G1H102J    | CAPACITOR, CER, TDK                       | 1000pF, 50V       |
| C    | 12 | C2012C0G1H471J    | CAPACITOR, CER, TDK                       | 470p, 50V         |
| C    | 13 | C4532X7S0G107M    | CAPACITOR, CER, TDK                       | 100 $\mu$ F, 4V   |
| C    | 14 | C4532X7S0G107M    | CAPACITOR, CER, TDK                       | 100 $\mu$ F, 4V   |
| C    | 15 | A700X277M0004AT   | CAPACITOR, ALUM<br>ORGANIC, KEMET         | 270 $\mu$ F, 4V   |
| D    | 1  | CMPD2838E-NSA     | DIODE, SIGNAL, CENTRAL                    |                   |
| D    | 2  | CMPD2838E-NSA     | DIODE, SIGNAL, CENTRAL                    |                   |
| D    | 3  | MBRD835L          | DIODE, RECTIFIER, ON<br>SEMICONDUCTOR     |                   |
| J    | 1  | MKDS 1/2-3.81     | TERM BLK, MINI, 2 POS,<br>PHOENIX CONTACT |                   |
| J    | 2  | MKDS 1/2-3.81     | TERM BLK, MINI, 2 POS,<br>PHOENIX CONTACT |                   |
| Q    | 1  | SI7898DP          | FET, SILICONIX                            | 150V, 85m         |
| R    | 1  | CRCW120610R0F     | RESISTOR                                  | 10                |
| R    | 2  | CRCW12066192F     | RESISTOR                                  | 61.9K             |
| R    | 3  | CRCW08052871F     | RESISTOR                                  | 2.87K             |
| R    | 4  | CRCW08051001F     | RESISTOR                                  | 1.00K             |
| R    | 5  | CRCW08051502F     | RESISTOR                                  | 15.0K             |
| R    | 6  | CRCW08051242F     | RESISTOR                                  | 12.4K             |
| R    | 7  | CRCW08051000F     | RESISTOR                                  | 100               |
| R    | 8  | CRCW12060R47F     | RESISTOR                                  | 0.47              |
| R    | 9  | CRCW12060R47F     | RESISTOR                                  | 0.47              |
| R    | 10 | CRCW251210R0F     | RESISTOR                                  | 10, 1 $\Omega$    |
| R    | 11 | CRCW08052431F     | RESISTOR                                  | 2.43K             |
| R    | 12 | CRCW08051471F     | RESISTOR                                  | 1.47K             |
| R    | 13 | CRCW080520R0F     | RESISTOR                                  | 20                |
| T    | 1  | B0695-A COILCRAFT | TRANSFORMER, FLYBACK,<br>EFD20 CORE       |                   |
| T    | 1  | PA0751 PULSE      | TRANSFORMER, FLYBACK,<br>EFD20 CORE       | ALTERNATE         |
| U    | 1  | LM5020-2MM        | CONTROLLER, SINGLE OUT,<br>PWM, NATIONAL  |                   |
| Z    | 1  | 1SMB5936B         | DIODE, ZENER, SMB, 30V                    |                   |

**Physical Dimensions** inches (millimeters)

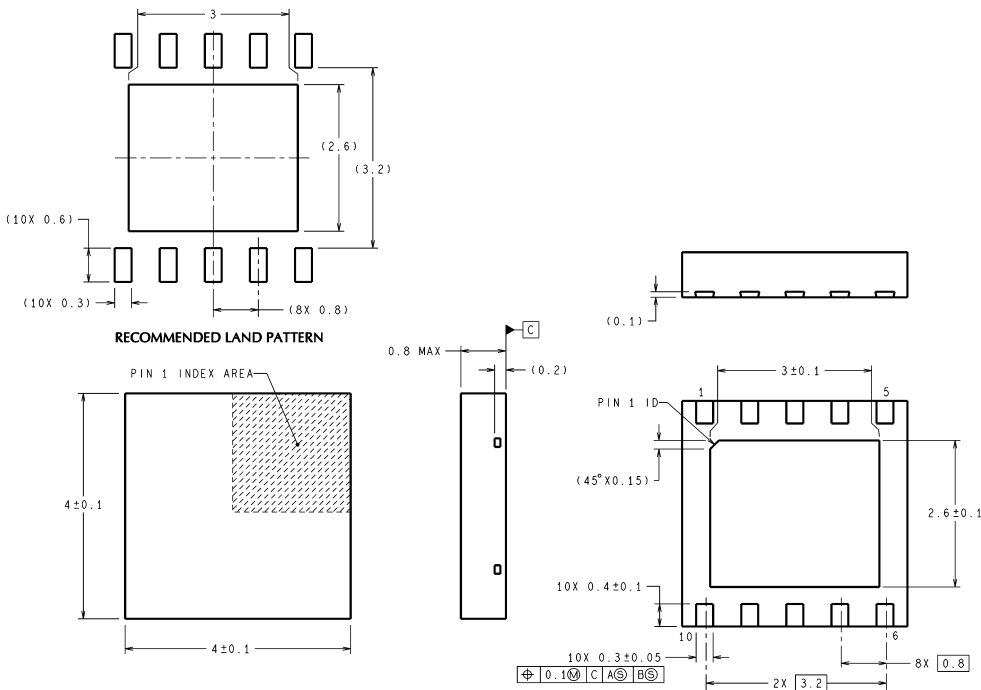
unless otherwise noted



CONTROLLING DIMENSION IS INCH  
VALUES IN [ ] ARE MILLIMETERS  
DIMENSIONS IN ( ) FOR REFERENCE ONLY

MUB10A (Rev B)

**10 Lead MSOP Package  
NS Package Number MUB10A**



DIMENSIONS ARE IN MILLIMETERS

SDC10A (Rev A)

**10 Lead MSOP, LLP Package  
NS Package Number SDC10A**

## Notes

National does not assume any responsibility for use of any circuitry described, no circuit patent licenses are implied and National reserves the right at any time without notice to change said circuitry and specifications.

For the most current product information visit us at [www.national.com](http://www.national.com).

### LIFE SUPPORT POLICY

NATIONAL'S PRODUCTS ARE NOT AUTHORIZED FOR USE AS CRITICAL COMPONENTS IN LIFE SUPPORT DEVICES OR SYSTEMS WITHOUT THE EXPRESS WRITTEN APPROVAL OF THE PRESIDENT AND GENERAL COUNSEL OF NATIONAL SEMICONDUCTOR CORPORATION. As used herein:

1. Life support devices or systems are devices or systems which, (a) are intended for surgical implant into the body, or (b) support or sustain life, and whose failure to perform when properly used in accordance with instructions for use provided in the labeling, can be reasonably expected to result in a significant injury to the user.
2. A critical component is any component of a life support device or system whose failure to perform can be reasonably expected to cause the failure of the life support device or system, or to affect its safety or effectiveness.

### BANNED SUBSTANCE COMPLIANCE

National Semiconductor certifies that the products and packing materials meet the provisions of the Customer Products Stewardship Specification (CSP-9-111C2) and the Banned Substances and Materials of Interest Specification (CSP-9-111S2) and contain no "Banned Substances" as defined in CSP-9-111S2.



**National Semiconductor**  
**Americas Customer**  
**Support Center**  
 Email: [new.feedback@nsc.com](mailto:new.feedback@nsc.com)  
 Tel: 1-800-272-9959

[www.national.com](http://www.national.com)

**National Semiconductor**  
**Europe Customer Support Center**  
 Fax: +49 (0) 180-530 85 86  
 Email: [europa.support@nsc.com](mailto:europa.support@nsc.com)  
 Deutsch Tel: +49 (0) 69 9508 6208  
 English Tel: +44 (0) 870 24 0 2171  
 Français Tel: +33 (0) 1 41 91 8790

**National Semiconductor**  
**Asia Pacific Customer**  
**Support Center**  
 Email: [ap.support@nsc.com](mailto:ap.support@nsc.com)

**National Semiconductor**  
**Japan Customer Support Center**  
 Fax: 81-3-5639-7507  
 Email: [jpn.feedback@nsc.com](mailto:jpn.feedback@nsc.com)  
 Tel: 81-3-5639-7560