

LM185/LM285/LM385

Adjustable Micropower Voltage References

General Description

The LM185/LM285/LM385 are micropower 3-terminal adjustable band-gap voltage reference diodes. Operating from 1.24 to 5.3V and over a 10 μ A to 20mA current range, they feature exceptionally low dynamic impedance and good temperature stability. On-chip trimming is used to provide tight voltage tolerance. Since the LM185 band-gap reference uses only transistors and resistors, low noise and good long-term stability result.

Careful design of the LM185 has made the device tolerant of capacitive loading, making it easy to use in almost any reference application. The wide dynamic operating range allows its use with widely varying supplies with excellent regulation.

The extremely low power drain of the LM185 makes it useful for micropower circuitry. This voltage reference can be used to make portable meters, regulators or general purpose

analog circuitry with battery life approaching shelf life. Further, the wide operating current allows it to replace older references with a tighter tolerance part.

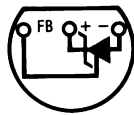
The LM185 is rated for operation over a -55°C to 125°C temperature range, while the LM285 is rated -40°C to 85°C and the LM385 0°C to 70°C. The LM185 is available in a hermetic TO-46 package and a leadless chip carrier package, while the LM285/LM385 are available in a low-cost TO-92 molded package, as well as S.O.

Features

- Adjustable from 1.24V to 5.30V
- Operating current of 10 μ A to 20mA
- 1% and 2% initial tolerance
- 1 Ω dynamic impedance
- Low temperature coefficient

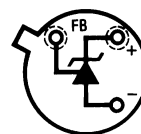
Connection Diagrams

TO-92
Plastic Package



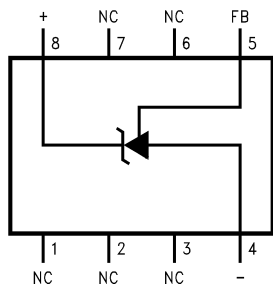
00525009
Bottom View

TO-46
Metal Can Package



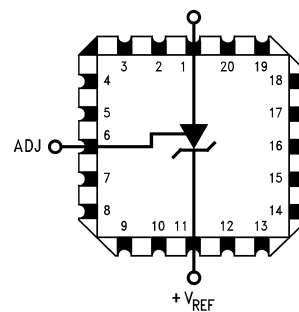
00525001
Bottom View

SOIC Package



00525010
Top View

20-Leadless Chip Carrier

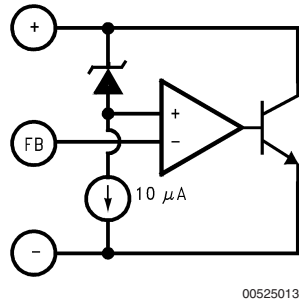


00525015
Top View

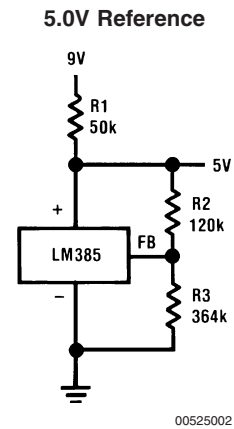
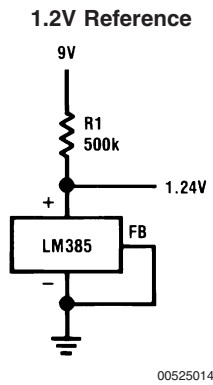
Ordering Information

Package	Temperature Range			NSC Drawing
	-55°C to 125°C	-40°C to 85°C	0°C to 70°C	
TO-46	LM185BH			H03H
	LM185BH/883			
	LM185BYH			
	LM185BYH/883			
TO-92		LM285BXZ	LM385BXZ	Z03A
		LM285BYZ	LM385BYZ	
		LM285Z	LM385BZ	
			LM385Z	
8-Pin SOIC		LM285M	LM385M	M08A
		LM285BYM	LM385BM	
20-Leadless Chip Carrier	LM185BE/883			E20A

Block Diagram



Typical Applications



$$V_{OUT} = 1.24 \left(\frac{R3}{R2} + 1 \right)$$

Absolute Maximum Ratings (Note 1)

If Military/Aerospace specified devices are required, please contact the National Semiconductor Sales Office/Distributors for availability and specifications.

(Note 2)

Reverse Current	30mA
Forward Current	10mA

Operating Temperature Range (Note 3)

LM185 Series	-55°C to 125°C
LM285 Series	-40°C to 85°C
LM385 Series	0°C to 70°C

Storage Temperature -55°C to 150°C

Soldering Information

TO-92 Package (10 sec.)	260°C
TO-46 Package (10 sec.)	300°C
SO Package	
Vapor Phase (60 sec.)	215°C
Infrared (15 sec.)	220°C

See An-450 "Surface Mounting Methods and Their Effect on Product Reliability" for other methods of soldering surface mount devices.

Electrical Characteristics (Note 4)

Parameter	Conditions	LM185, LM285				LM385				Units (Limit)		
		Typ	LM185BX, LM185BY LM185B, LM285BX, LM285BY		LM285		Typ	LM385BX, LM385BY			LM385	
			Tested Limit (Note 5)	Design Limit (Note 6)	Tested Limit (Note 5)	Design Limit (Note 6)		Tested Limit (Note 5)	Design Limit (Note 6)		Tested Limit (Note 5)	Design Limit (Note 6)
Reference Voltage	$I_R = 100\mu A$	1.240	1.252		1.265	1.270	1.240	1.252	1.255	1.265	1.270	V (max) V (min)
Reference Voltage Change with Current	$I_{MIN} < I_R < 1mA$ $1mA < I_R < 20mA$	0.2 4	1 10	1.5 20	1 10	1.5 20	0.2 5	1 15	1.5 25	1 15	1.5 25	mV (max)
Dynamic Output Impedance	$I_R = 100\mu A, f = 100Hz$ $I_{AC} = 0.1 I_R$ $V_{OUT} = V_{REF}$ $V_{OUT} = 5.3V$	0.3 0.7					0.4 1					Ω
Reference Voltage Change with Output Voltage	$I_R = 100\mu A$	1	3	6	3	6	2	5	10	5	10	mV (max)
Feedback Current		13	20	25	20	25	16	30	35	30	35	nA (max)
Minimum Operating Current (see curve)	$V_{OUT} = V_{REF}$ $V_{OUT} = 5.3V$	6 30	9 45	10 50	9 45	10 50	7 35	11 55	13 60	11 55	13 60	μA (max)
Output Wideband Noise	$I_R = 100\mu A, 10Hz < f < 10kHz$ $V_{OUT} = V_{REF}$ $V_{OUT} = 5.3V$	50 170					50 170					μV_{rms}

Electrical Characteristics (Note 4) (Continued)

Parameter	Conditions	LM185, LM285				LM385				Units (Limit)			
		Typ	LM185BX, LM185BY LM185B, LM285BX, LM285BY		LM285		Typ	LM385BX, LM385BY			LM385		
			Tested Limit (Note 5)	Design Limit (Note 6)	Tested Limit (Note 5)	Design Limit (Note 6)		Tested Limit (Note 5)	Design Limit (Note 6)		Tested Limit (Note 5)	Design Limit (Note 6)	
Average Temperature Coefficient (Note 7)	$I_R = 100\mu\text{A}$ X Suffix Y Suffix All Others		30 50						30 50				ppm/°C (max)
Long Term Stability	$I_R = 100\mu\text{A}$, T = 1000 Hr, $T_A = 25^\circ\text{C} \pm 0.1^\circ\text{C}$	20						20					ppm

Note 1: Absolute Maximum Ratings indicate limits beyond which damage to the device may occur. Operating Ratings indicate conditions for which the device is intended to be functional, but do not guarantee specific performance limits. For guaranteed specifications and test conditions, see the Electrical Characteristics. The guaranteed specifications apply only for the test conditions listed.

Note 2: Refer to RETS185H for military specifications.

Note 3: For elevated temperature operation, T_{Jmax} is:

LM185	150°C
LM285	125°C
LM385	100°C

Thermal Resistance	TO-92	TO-46	SO-8
θ_{JA} (Junction to Ambient)	180°C/W (0.4" leads) 170°C/W (0.125" leads)	440°C/W	165°C/W
θ_{JC} (Junction to Case)	N/A	80°C/W	N/A

Note 4: Parameters identified with **boldface type** apply at temperature extremes. All other numbers apply at $T_A = T_J = 25^\circ\text{C}$. Unless otherwise specified, all parameters apply for $V_{REF} < V_{OUT} < 5.3\text{V}$.

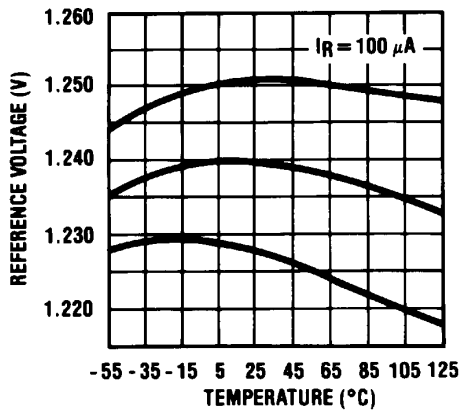
Note 5: Guaranteed and 100% production tested.

Note 6: Guaranteed, but not 100% production tested. These limits are not to be used to calculate average outgoing quality levels.

Note 7: The average temperature coefficient is defined as the maximum deviation of reference voltage at all measured temperatures from T_{MIN} to T_{MAX} , divided by $T_{MAX} - T_{MIN}$. The measured temperatures are -55, -40, 0, 25, 70, 85, 125°C.

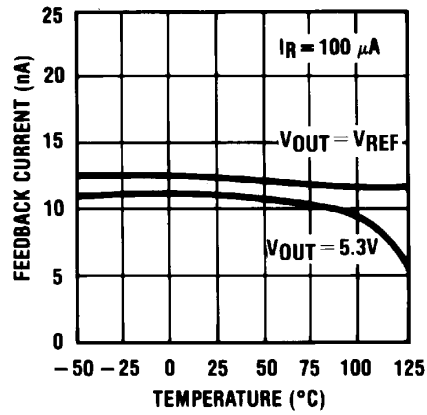
Typical Performance Characteristics

Temperature Drift of 3 Representative Units



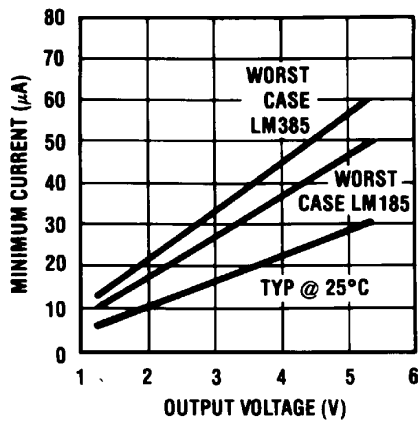
00525016

Feedback Current



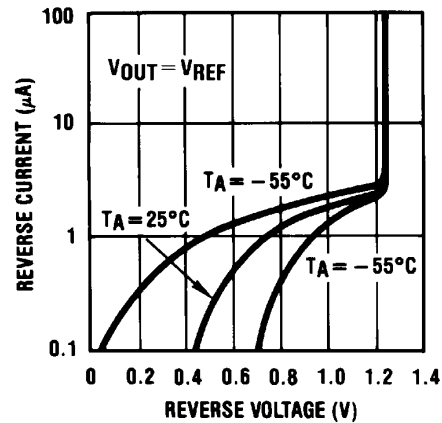
00525017

Minimum Operating Current



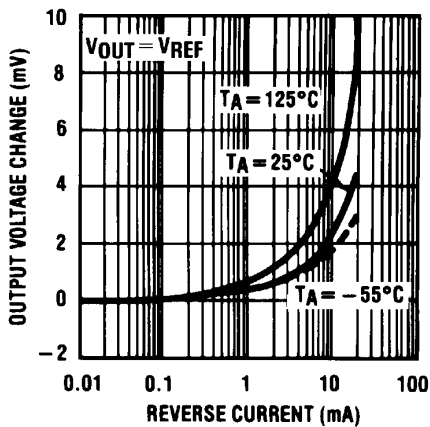
00525018

Reverse Characteristics



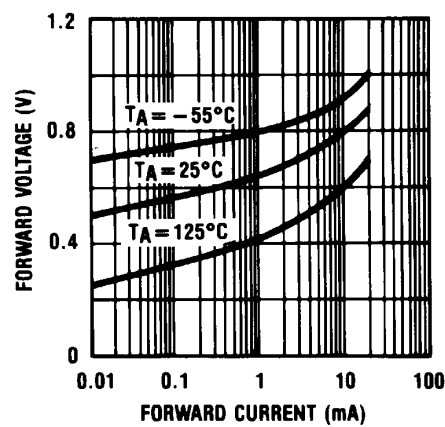
00525019

Reverse Characteristics



00525020

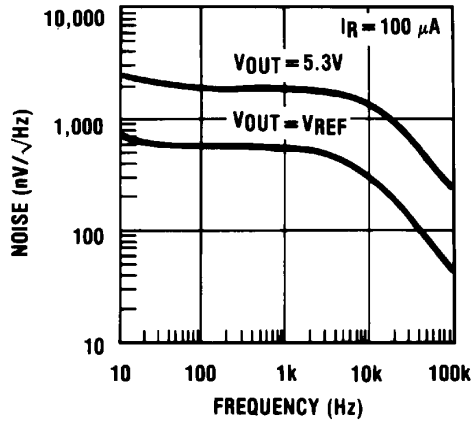
Forward Characteristics



00525021

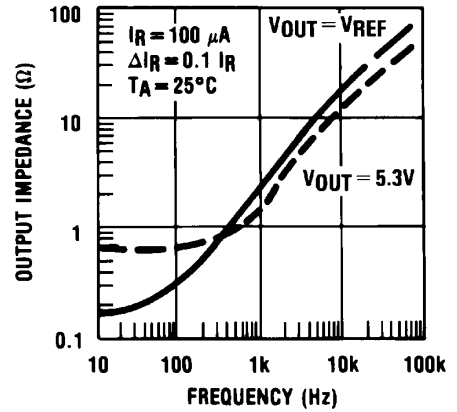
Typical Performance Characteristics (Continued)

Output Noise Voltage



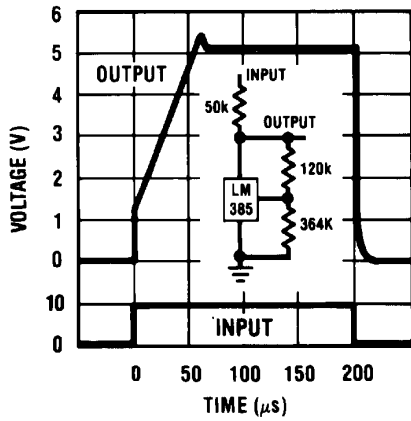
00525022

Dynamic Output Impedance



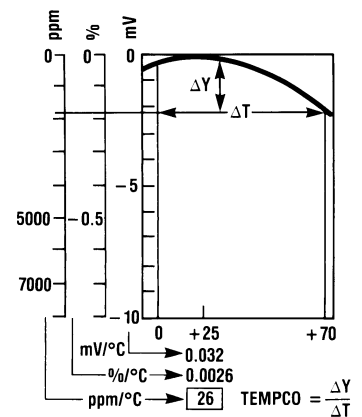
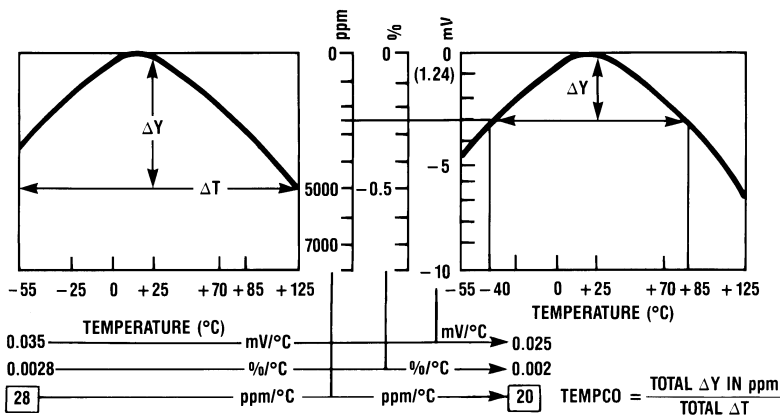
00525023

Response Time



00525024

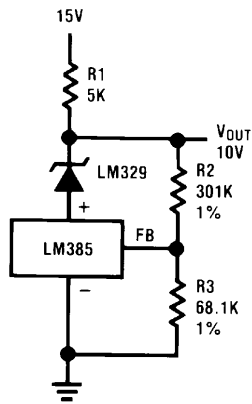
Temperature Coefficient Typical
LM185 LM285 LM385



00525004

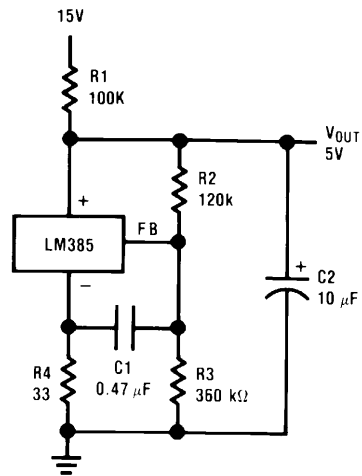
Typical Applications

Precision 10V Reference



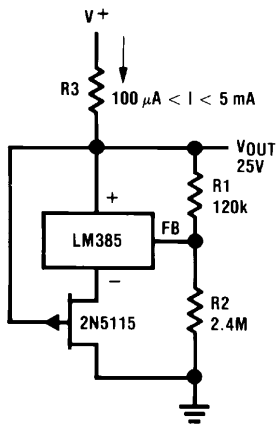
00525025

Low AC Noise Reference



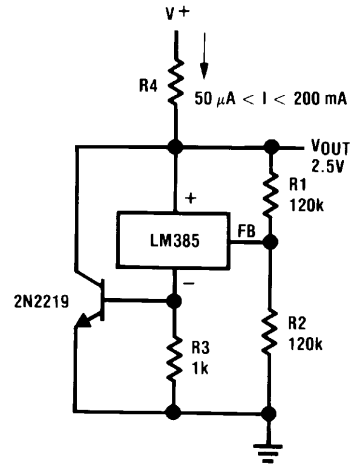
00525026

25V Low Current Shunt Regulator



00525027

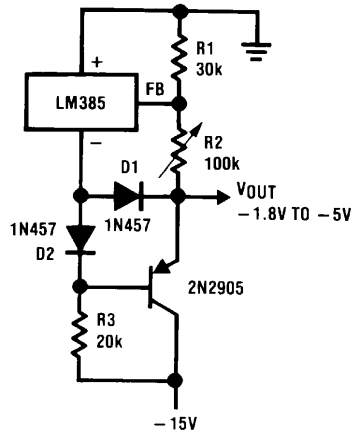
200 mA Shunt Regulator



00525028

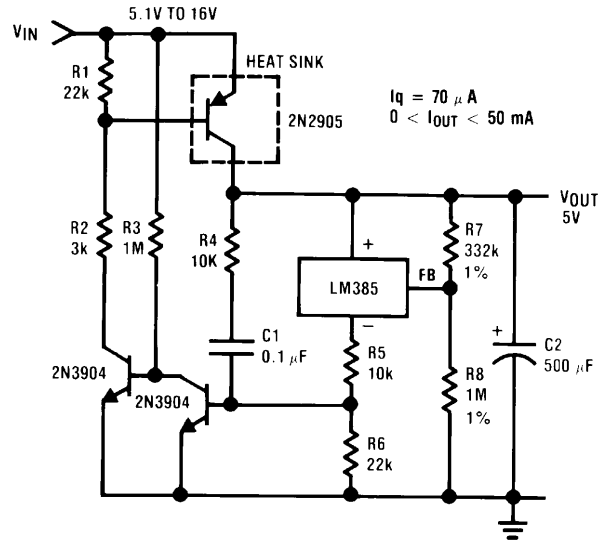
Typical Applications (Continued)

Series-Shunt 20 mA Regulator



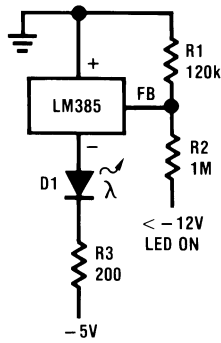
00525029

High Efficiency Low Power Regulator



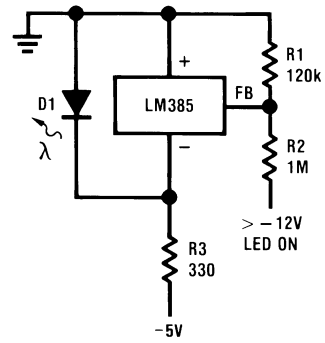
00525030

Voltage Level Detector



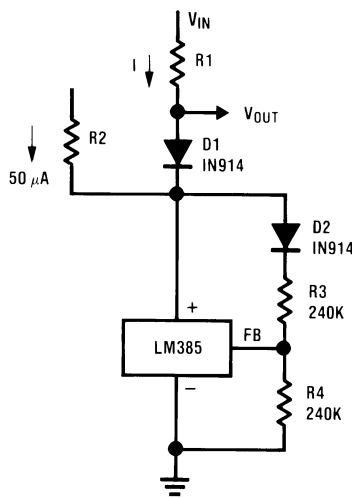
00525031

Voltage Level Detector



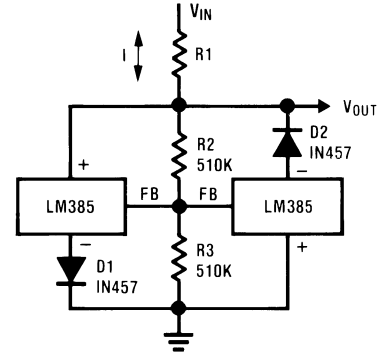
00525032

Fast Positive Clamp
 $2.4V + \Delta V_{D1}$



00525033

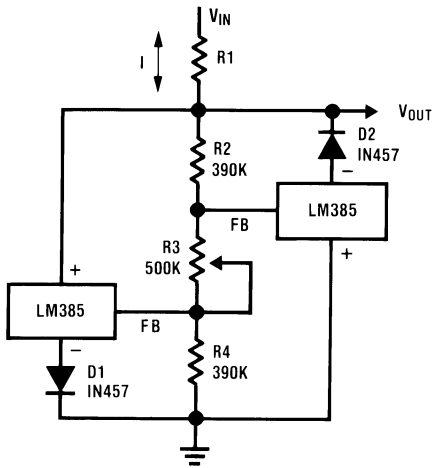
Bidirectional Clamp
 $\pm 2.4V$



00525034

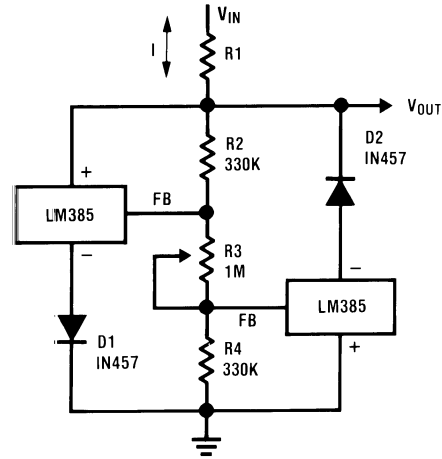
Typical Applications (Continued)

Bidirectional Adjustable Clamp
±1.8V to ±2.4V



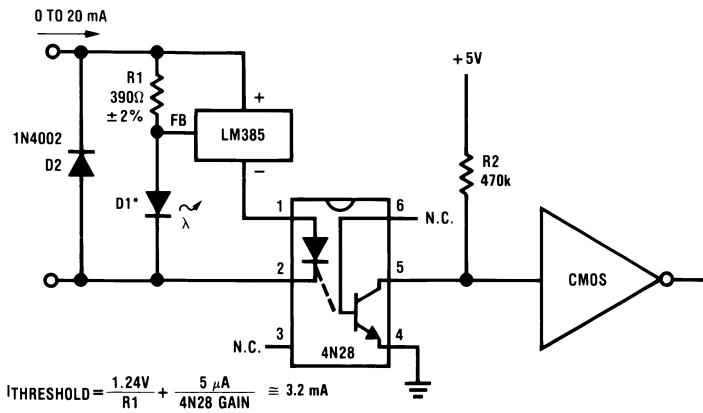
00525035

Bidirectional Adjustable Clamp
±2.4V to ±6V



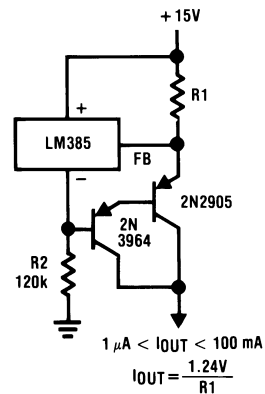
00525036

Simple Floating Current Detector



00525037

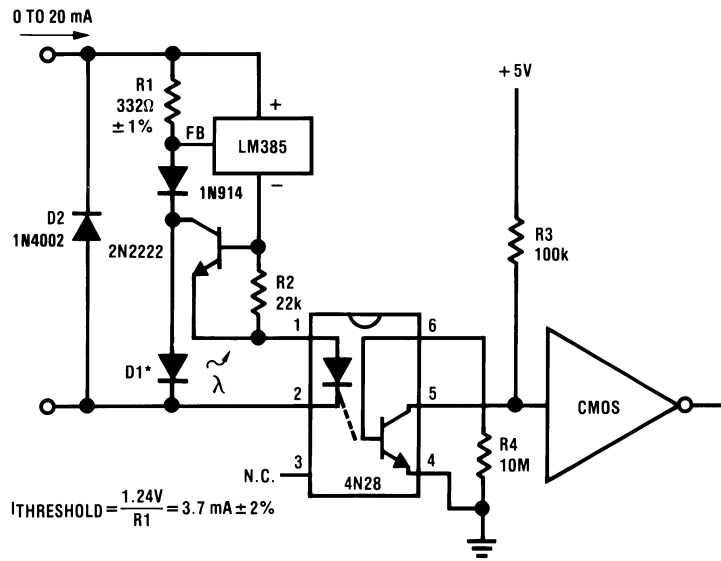
Current Source



00525038

Typical Applications (Continued)

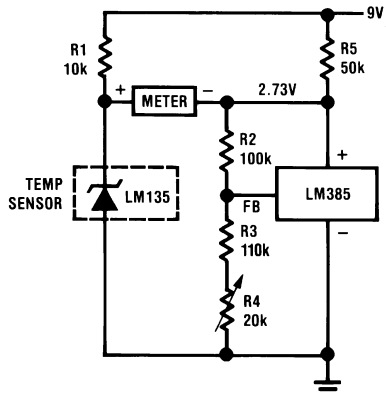
Precision Floating Current Detector



00525039

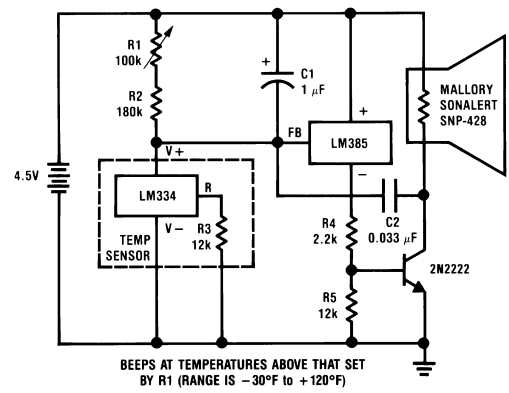
*D1 can be any LED, $V_f = 1.5V$ to $2.2V$ at 3 mA . D1 may act as an indicator. D1 will be on if $I_{THRESHOLD}$ falls below the threshold current, except with $I=0$.

Centigrade Thermometer, 10mV/°C



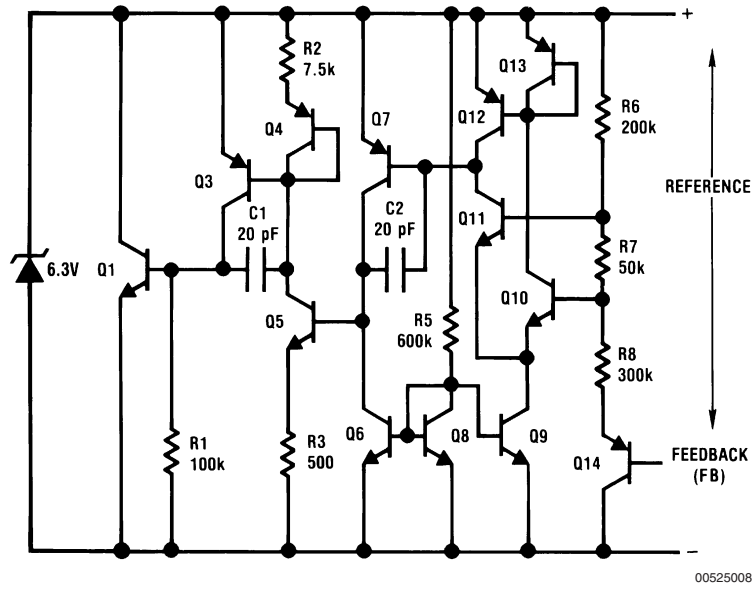
00525011

Freezer Alarm



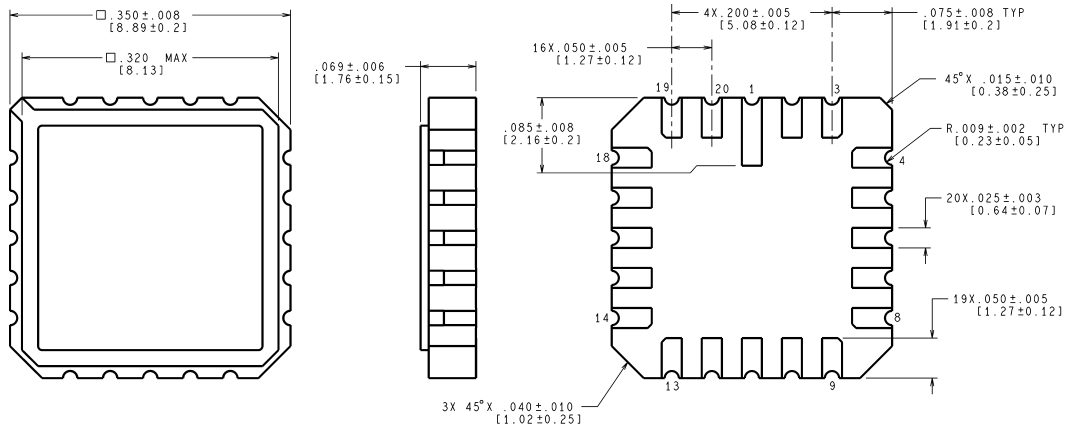
00525012

Schematic Diagram



Physical Dimensions inches (millimeters)

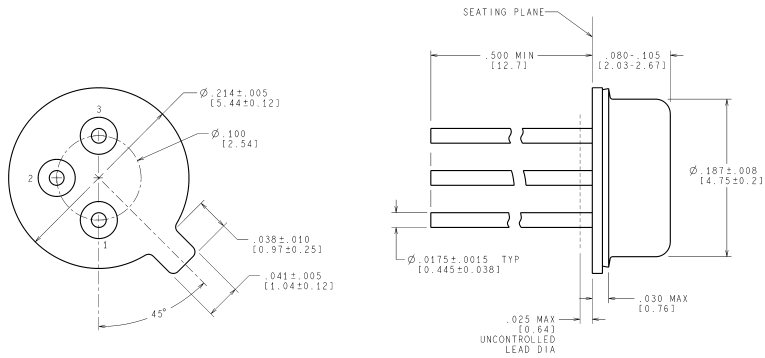
unless otherwise noted



CONTROLLING DIMENSION IS INCH
 VALUES IN [] ARE MILLIMETERS

E20A (Rev F)

**20-Leadless Chip Carrier (E)
 NS Package Number E20A**

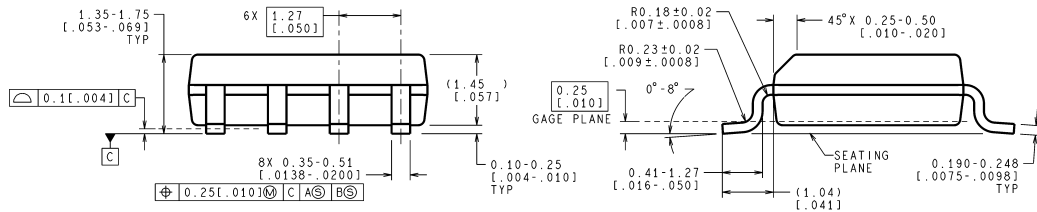
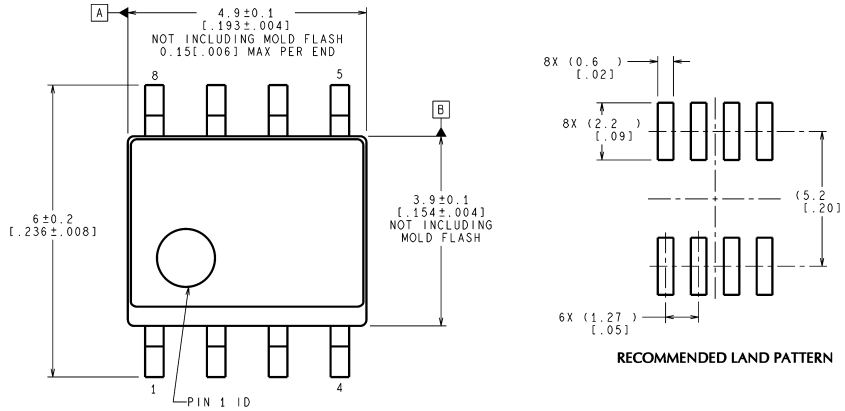


CONTROLLING DIMENSION IS INCH
 VALUES IN [] ARE IN MILLIMETERS

H03H (Rev F)

**TO-46 Metal Can Package (H)
 NS Package Number H03H**

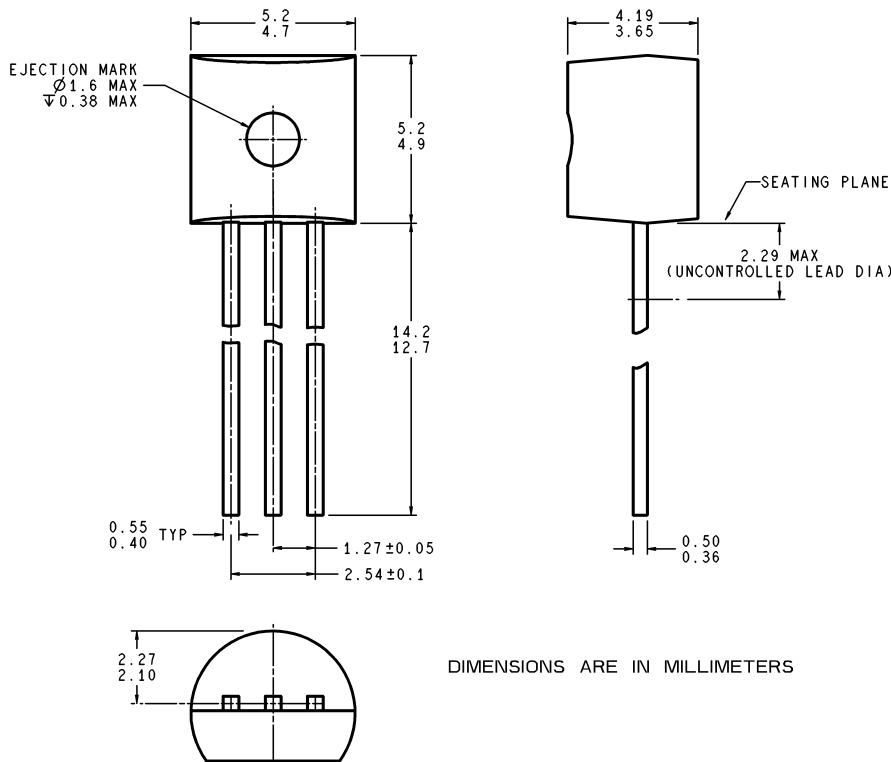
Physical Dimensions inches (millimeters) unless otherwise noted (Continued)



CONTROLLING DIMENSION IS MILLIMETER
VALUES IN [] ARE INCHES
DIMENSIONS IN () FOR REFERENCE ONLY

M08A (Rev K)

SO Package (M)
NS Package Number M08A



DIMENSIONS ARE IN MILLIMETERS

Z03A (Rev G)

TO-92 Plastic Package (Z)
NS Package Number Z03A

Notes

National does not assume any responsibility for use of any circuitry described, no circuit patent licenses are implied and National reserves the right at any time without notice to change said circuitry and specifications.

For the most current product information visit us at www.national.com.

LIFE SUPPORT POLICY

NATIONAL'S PRODUCTS ARE NOT AUTHORIZED FOR USE AS CRITICAL COMPONENTS IN LIFE SUPPORT DEVICES OR SYSTEMS WITHOUT THE EXPRESS WRITTEN APPROVAL OF THE PRESIDENT AND GENERAL COUNSEL OF NATIONAL SEMICONDUCTOR CORPORATION. As used herein:

1. Life support devices or systems are devices or systems which, (a) are intended for surgical implant into the body, or (b) support or sustain life, and whose failure to perform when properly used in accordance with instructions for use provided in the labeling, can be reasonably expected to result in a significant injury to the user.
2. A critical component is any component of a life support device or system whose failure to perform can be reasonably expected to cause the failure of the life support device or system, or to affect its safety or effectiveness.

BANNED SUBSTANCE COMPLIANCE

National Semiconductor manufactures products and uses packing materials that meet the provisions of the Customer Products Stewardship Specification (CSP-9-111C2) and the Banned Substances and Materials of Interest Specification (CSP-9-111S2) and contain no "Banned Substances" as defined in CSP-9-111S2.



National Semiconductor
Americas Customer
Support Center
Email: new.feedback@nsc.com
Tel: 1-800-272-9959

www.national.com

National Semiconductor
Europe Customer Support Center
Fax: +49 (0) 180-530 85 86
Email: europa.support@nsc.com
Deutsch Tel: +49 (0) 69 9508 6208
English Tel: +44 (0) 870 24 0 2171
Français Tel: +33 (0) 1 41 91 8790

National Semiconductor
Asia Pacific Customer
Support Center
Email: ap.support@nsc.com

National Semiconductor
Japan Customer Support Center
Fax: 81-3-5639-7507
Email: jpn.feedback@nsc.com
Tel: 81-3-5639-7560