

**PLEASE CHECK WWW.MOLEX.COM FOR LATEST PART INFORMATION**

**Part Number:** [0532611071](#)  
**Status:** **Active**  
**Overview:** [picoblade](#)  
**Description:** 1.25mm (.049") Pitch PicoBlade™ Header, Surface Mount, Right Angle, Lead-free, 10 Circuits

**Documents:**

[3D Model](#) [Product Specification PS-51021-024 \(PDF\)](#)  
[Drawing \(PDF\)](#) [RoHS Certificate of Compliance \(PDF\)](#)

**Agency Certification**

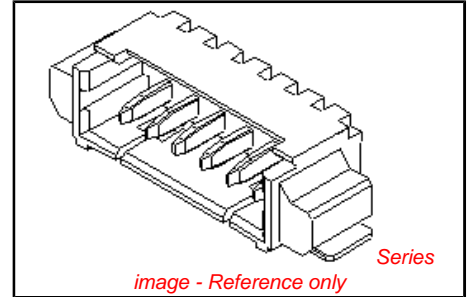
CSA LR19980  
 UL E29179

**General**

Product Family PCB Headers  
 Series [53261](#)  
 Application Wire-to-Board  
 MolexKits Yes  
 Overview [picoblade](#)  
 Product Name PicoBlade™

**Physical**

Breakaway No  
 Circuits (Loaded) 10  
 Circuits (maximum) 10  
 Color - Resin Natural  
 Durability (mating cycles max) 30  
 First Mate / Last Break No  
 Flammability 94V-0  
 Glow-Wire Compliant No  
 Guide to Mating Part Yes  
 Keying to Mating Part None  
 Lock to Mating Part Yes  
 Mated Height (in) 0.134 In  
 Mated Height (mm) 3.40 mm  
 Material - Metal Phosphor Bronze  
 Material - Plating Mating Tin  
 Material - Plating Termination Tin  
 Material - Resin High Temperature Thermoplastic  
 Number of Rows 1  
 Orientation Right Angle  
 PCB Locator No  
 PCB Retention Yes  
 Packaging Type Embossed Tape on Reel  
 Pitch - Mating Interface (in) 0.049 In  
 Pitch - Mating Interface (mm) 1.25 mm  
 Plating min: Mating (µin) 40  
 Plating min: Mating (µm) 1  
 Plating min: Termination (µin) 40  
 Plating min: Termination (µm) 1  
 Polarized to PCB Yes  
 Shrouded Fully  
 Stackable No  
 Temperature Range - Operating -40°C to +85°C  
 Termination Interface: Style Surface Mount



**EU RoHS**

**ELV and RoHS Compliant**  
**REACH SVHC Contains SVHC: No**  
**Halogen-Free Status**  
**Not Halogen-Free**

**China RoHS**



**Need more information on product environmental compliance?**

Email [productcompliance@molex.com](mailto:productcompliance@molex.com)  
 For a multiple part number RoHS Certificate of Compliance, [click here](#)

Please visit the [Contact Us](#) section for any non-product compliance questions.

**Search Parts in this Series**  
[53261Series](#)

**Mates With**  
[51021 PicoBlade™ Wire-to-Wire and Wire-to-Board Housing](#)

**Electrical**

Current - Maximum per Contact 1A  
Voltage - Maximum 125V

**Material Info****Reference - Drawing Numbers**

Packaging Specification SPK-53261-001, SPK-53261-002  
Product Specification PS-51021-024, RPS-51021-036, RPS-51021-038,  
RPS-51021-039, RPS-51021-040, RPS-51021-042,  
RPS-51021-043, RPS-51021-045, RPS-51021-046,  
RPS-51021-047, RPS-51021-051, RPS-51021-053,  
RPS-51021-054, RPS-51021-057, RPS-51021-058,  
RPS-51021-061, RPS-51021-062, RPS-51021-066,  
RPS-51021-067, RPS-51021-068, RPS-51021-072,  
RPS-51021-073, RPS-51021-076, RPS-51021-079,  
RPS-51021-081, RPS-51021-085, RPS-51021-086,  
RPS-51021-091, RPS-51021-097, RPS-51021-099,  
RPS-51021-101, RPS-53261-001, RPS-53261-002  
Sales Drawing SD-51021-002, SD-53261-023, SD-53261-024

This document was generated on 06/07/2010

**PLEASE CHECK [WWW.MOLEX.COM](http://WWW.MOLEX.COM) FOR LATEST PART INFORMATION**

10 9 8 7 6 5 4 3 2 1

F

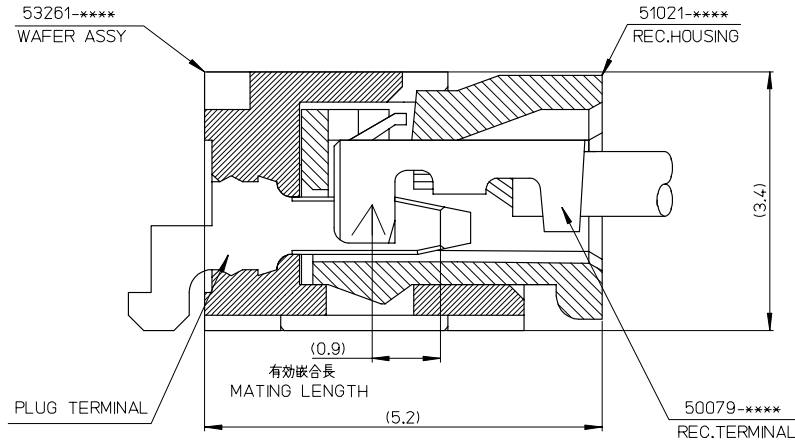
E

D

C

B

A

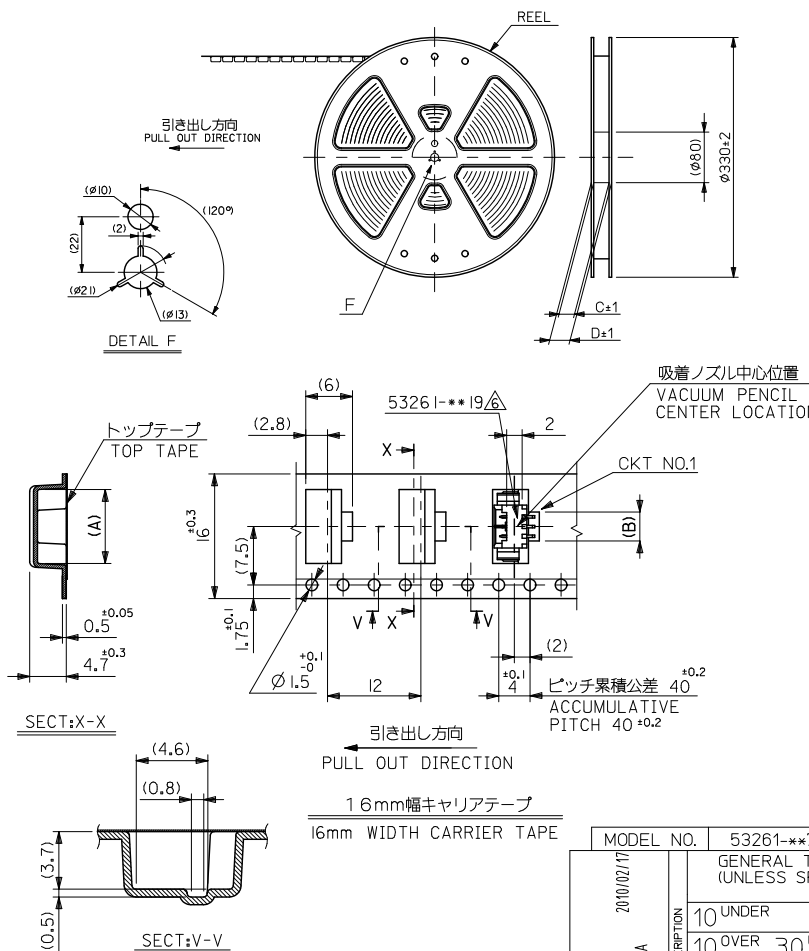


53261-****	WAFER ASSY	MODEL NO./MATERIAL NO.
50079-****	TERMINAL	
51021-****	HOUSING	

RELEASED EC NO: J2006-2426 DRWN: YAOYAGI CHKC: YMAEDA APPR: NUKITA	GENERAL TOLERANCES (UNLESS SPECIFIED)		DIMENSION STYLE MM ONLY		SCALE ---	DESIGN UNITS METRIC	THIRD ANGLE PROJECTION
	10 UNDER	± ---	DRAWN BY Y. AOYAGI	DATE 2006/01/30	TITLE 1.25 W-T-O-B CONN. 51021,53261 MATING CROSS SECTION		
	10 OVER 30 UNDER	± ---	CHECKED BY Y. MAEDA	DATE 2006/01/30	MOLEX INCORPORATED		
	30 OVER	± ---	APPROVED BY N. UKITA	DATE 2006/01/30	DOCUMENT NO. SD-51021-002		
	ANGULAR	± --- °	MATERIAL NO. SEE CHART		SHEET NO. 1 OF 1		
0	DESCRIPTION	DRAFT WHERE APPLICABLE MUST REMAIN WITHIN DIMENSIONS		THIS DRAWING CONTAINS INFORMATION THAT IS PROPRIETARY TO MOLEX INCORPORATED AND SHOULD NOT BE USED WITHOUT WRITTEN PERMISSION			

fb\_frame\_A3\_1\_ME\_S  
Rev. D 2004/04/02

9 8 7 6 5 4 3 2 1 EN-02JA(021)



注記 NOTES

- 53261-\*\*\*19 の詳細寸法については図面 SD-53261-024 を参照下さい。 RE DETAILED DIMENSIONS, SEE SD-53261-024
  - 梱包数量: 1000個/リール NUMBER OF CONNECTOR: 1000PCS/REEL
  - リードテープ長さ LEAD TAPE LENGTH  
 トップテープリーダー部 TOP TAPE LEADER PART 175 ±25  
 トップテープ未接着部 TOP TAPE NON-BONDED PART 25 ±5
- 
- 材料 (MATERIAL)  
 キャリアテープ (CARRIER TAPE): ポリプロピレン (POLYPROPYLENE)  
 トップテープ (TOP TAPE): PET, PE, PEF  
 リール (REEL): ポリスチレン (PS) <リサイクル材含む> POLYSTYRENE (PS) <RECYCLE MATERIAL CONTAINED>
  - コネクタ、ハウジング平面部 CONNector, HOUSING FLAT AREA
  - 本製品は 53261-\*\*\*90 の鉛フリー品である。 THIS PRODUCT IS LEAD FREE OF 53261-\*\*\*90
  - ELV 及び RoHS 適合品 ELV AND RoHS COMPLIANT
  - 本製品は乾燥剤入り、ハイバリア梱包仕様である。 THIS PRODUCT IS HIGH BARRIER PACKAGE WITH DESICCANT.

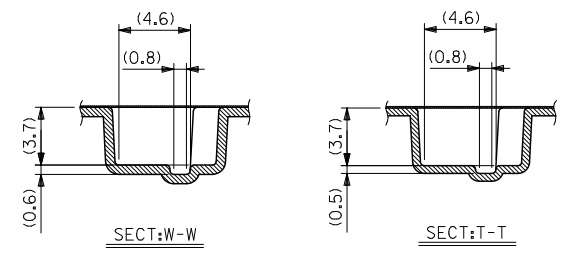
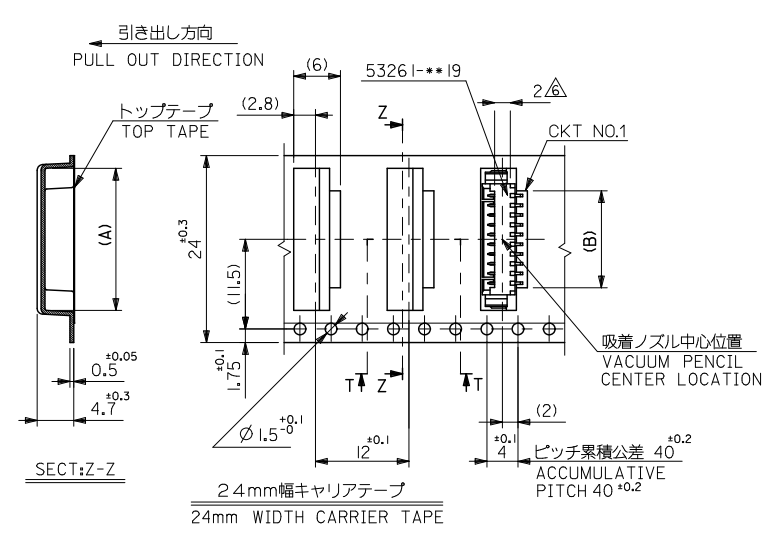
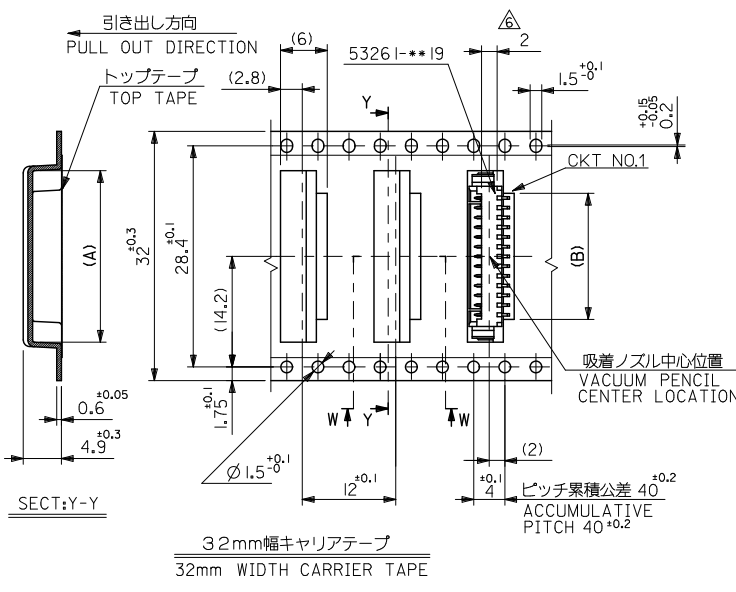
16	21.4	17.4	3.7	9.5	53261-0371	3
キャリアテープ幅 CARRIER TAPE WIDTH	D	C	B	A	53261-0271	2

EMBOSSED TAPE PACKAGE オーダー番号 ORDER NO.	模数 CKT.
16	2

GENERAL TOLERANCES (UNLESS SPECIFIED)	DIMENSION STYLE MM ONLY	SCALE ---	DESIGN UNITS METRIC	THIRD ANGLE PROJECTION
10 UNDER ±0.2	DRAWN BY H. SHIMABUKUR	DATE '04/02/06	TITLE 1.25 W/B CONN WAFER ASSY FOR SMT EMBSTP PKG	
10 OVER 30 UNDER ±0.25	CHECKED BY K. TOJO	DATE '04/02/06	MOLEX INCORPORATED	
30 OVER ±0.3	APPROVED BY NUKITA	DATE 2010/02/18	SD-53261-023	
ANGULAR ±3°	MATERIAL NO.	DOCUMENT NO.	SHEET NO. 1 OF 3	
DRAFT WHERE APPLICABLE MUST REMAIN WITHIN DIMENSIONS	SEE TABLE & SHEET 2,3	THIS DRAWING CONTAINS INFORMATION THAT IS PROPRIETARY TO MOLEX INCORPORATED AND SHOULD NOT BE USED WITHOUT WRITTEN PERMISSION		

10 9 8 7 6 5 4 3 2 1

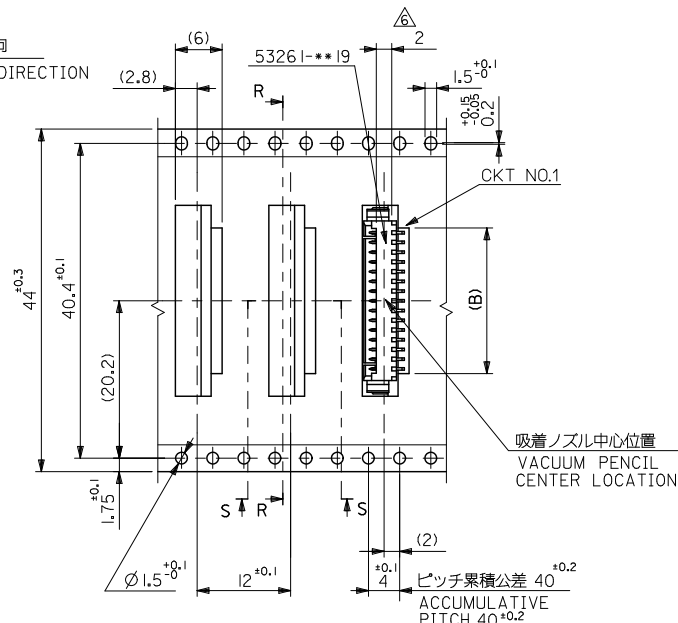
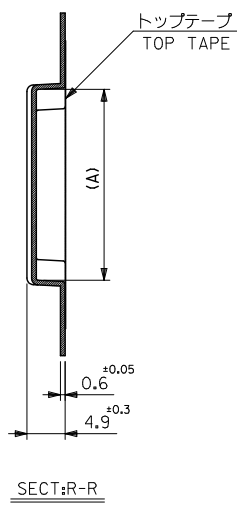


32	37.4	33.4	16.2	22	53261-1371	13
			14.95	20.75		-1271
24	29.4	25.4	13.7	19.5	-1171	11
			12.45	18.25	-1071	10
			11.2	17	-0971	9
			9.95	15.75	-0871	8
			8.7	14.5	-0771	7
			7.45	13.25	-0671	6
			6.2	12	-0571	5
			4.95	10.75	53261-0471	4

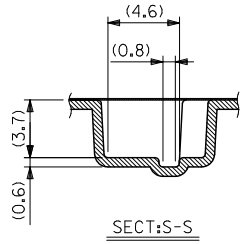
MODEL NO.	53261-***71	キャリアテープ幅 CARRIER TAPE WIDTH	D	C	B	A	EMBOSSED TAPE PACKAGE オーダー番号 ORDER NO.	極数 CKT.
REVISIONS	2010/02/17	GENERAL TOLERANCES (UNLESS SPECIFIED)	DIMENSION STYLE MM ONLY		SCALE	DESIGN UNITS METRIC	THIRD ANGLE PROJECTION	
REV	DESCRIPTION	10 UNDER ±0.2	DRAWN BY	DATE	TITLE			
D	DRW:Y.GOTO CHK:D.KASAKANA	10 OVER 30 UNDER ±0.25	H. SHIMABUKUR	04/02/06	1.25 W/B CONN WAFER ASSY FOR SMT EMBSTP PKG			
	APPR:	30 OVER ±0.3	CHECKED BY	DATE	MOLEX INCORPORATED			
		ANGULAR ±3°	K. TOJO	04/02/06	SD-53261-023			
		DRAFT WHERE APPLICABLE MUST REMAIN WITHIN DIMENSIONS	APPROVED BY	DATE	SHEET NO. 2 OF 3			
			NUKITA	2010/02/18	INCORPORATED AND SHOULD NOT BE USED WITHOUT WRITTEN PERMISSION			
			MATERIAL NO.	SEE TABLE & SHEET 1.3				

10 9 8 7 6 5 4 3 2 1

引き出し方向  
PULL OUT DIRECTION



44mm幅キャリアテープ  
44mm WIDTH CARRIER TAPE

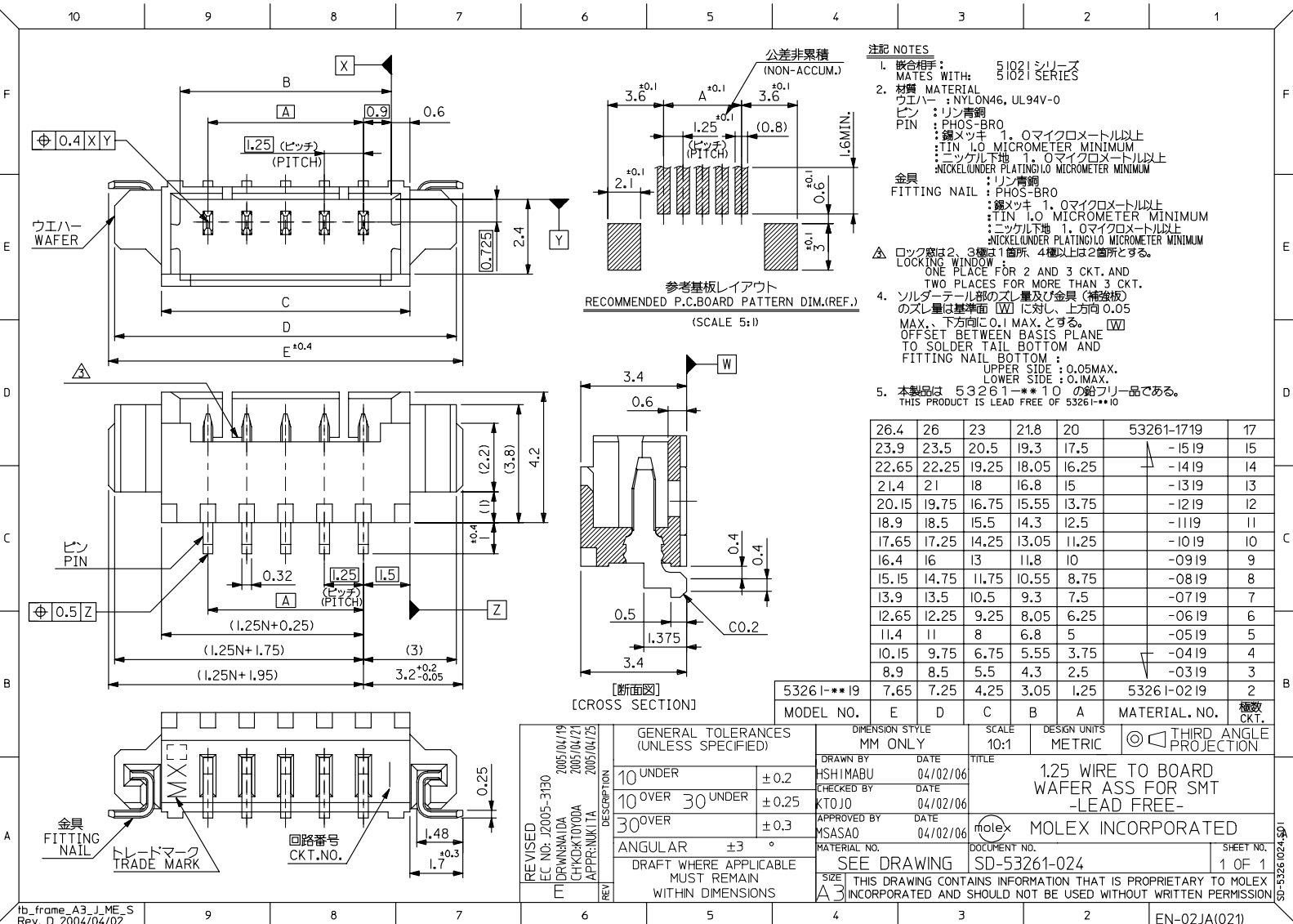


44	49.4	45.4	18.7	24.5	53261-1571	15
			17.45	23.25	53261-1471	14
キャリアテープ幅 CARRIER TAPE WIDTH					EMBOSSED TAPE PACKAGE	極数 CKT.
MODEL NO. 53261-**-71					オーダー番号 ORDER NO.	

REVISED EC NO: D DRWNYGOTO CHKDKASAKAMA APPR: REV:	DESCRIPTION	2010/02/17	GENERAL TOLERANCES (UNLESS SPECIFIED)		DIMENSION STYLE MM ONLY		SCALE	DESIGN UNITS	THIRD ANGLE PROJECTION	
			10 UNDER	±0.2	DRAWN BY	DATE	---	METRIC		
			10 OVER	30 UNDER	±0.25	H. SHIMABUKUR	'04/02/06	TITLE 1.25 W/B CONN WAFER ASSY FOR SMT EMBSTP PKG		
			30 OVER		±0.3	K. TOJO	'04/02/06	MOLEX INCORPORATED		
			ANGULAR		±3 °	APPROVED BY	DATE	MATERIAL NO. DOCUMENT NO. SHEET NO.		
			DRAFT WHERE APPLICABLE MUST REMAIN WITHIN DIMENSIONS		SEE TABLE & SHEET 12		SD-53261-023		3 OF 3	

ib\_frame\_A3\_J\_ME\_S  
Rev. E 2006/04/15

9 8 7 6 5 4 3 2 1 EN-02JA(021)



**注記 NOTES**

- 嵌合相手: 51021 シリーズ  
MATES WITH: 51021 SERIES
- 材質 MATERIAL: NYLON46, UL94V-0  
ピン: リン青銅  
PIN: PHOS-BRO  
: 銅メッキ 1.0マイクromメートル以上  
: TIN 1.0 MICROMETER MINIMUM  
: ニッケル下地 1.0マイクromメートル以上  
: NICKEL UNDER PLATING 1.0 MICROMETER MINIMUM  
金具: リン青銅  
FITTING NAIL: PHOS-BRO  
: 銅メッキ 1.0マイクromメートル以上  
: TIN 1.0 MICROMETER MINIMUM  
: ニッケル下地 1.0マイクromメートル以上  
: NICKEL UNDER PLATING 1.0 MICROMETER MINIMUM
- ロック窓は2, 3個は1箇所、4個以上は2箇所とする。  
LOCKING WINDOW: ONE PLACE FOR 2 AND 3 CKT. AND TWO PLACES FOR MORE THAN 3 CKT.
- ソルダーテール部のスリ量及び金具(補強材)のスリ量は基準面(W)に対し、上方向0.05 MAX、下方向に0.1 MAXとする。(W) OFFSET BETWEEN BASIS PLANE TO SOLDER TAIL BOTTOM AND FITTING NAIL BOTTOM:  
UPPER SIDE: 0.05MAX.  
LOWER SIDE: 0.1MAX.
- 本製品は 53261-\*\*-\*\*10 の鉛フリー品である。  
THIS PRODUCT IS LEAD FREE OF 53261-\*\*-\*\*10

26.4	26	23	21.8	20	53261-1719	17	
23.9	23.5	20.5	19.3	17.5	-1519	15	
22.65	22.25	19.25	18.05	16.25	-1419	14	
21.4	21	18	16.8	15	-1319	13	
20.15	19.75	16.75	15.55	13.75	-1219	12	
18.9	18.5	15.5	14.3	12.5	-1119	11	
17.65	17.25	14.25	13.05	11.25	-1019	10	
16.4	16	13	11.8	10	-0919	9	
15.15	14.75	11.75	10.55	8.75	-0819	8	
13.9	13.5	10.5	9.3	7.5	-0719	7	
12.65	12.25	9.25	8.05	6.25	-0619	6	
11.4	11	8	6.8	5	-0519	5	
10.15	9.75	6.75	5.55	3.75	-0419	4	
8.9	8.5	5.5	4.3	2.5	-0319	3	
53261-**-**19	7.65	7.25	4.25	3.05	1.25	53261-0219	2

REVISED EC NO. J2005-3130 DRAWN BY CHIKUNAKA CHKD BY YODA APPR. BY NIKITA	GENERAL TOLERANCES (UNLESS SPECIFIED)		DIMENSION STYLE MM ONLY		SCALE 10:1	DESIGN UNITS METRIC	THIRD ANGLE PROJECTION
	10 UNDER	±0.2	DRAWN BY	DATE	TITLE		
	10 OVER 30 UNDER	±0.25	HSHIMABU	04/02/06	1.25 WIRE TO BOARD WAFER ASS FOR SMT -LEAD FREE-		
	30 OVER	±0.3	CHECKED BY	DATE	MOLEX INCORPORATED		
	ANGULAR	±3 °	KTOJO	04/02/06	MATERIAL NO. DOCUMENT NO.		
	DRAFT WHERE APPLICABLE MUST REMAIN WITHIN DIMENSIONS		APPROVED BY MSASAO		04/02/06		SEE DRAWING SD-53261-024
			MATERIAL NO.		DOCUMENT NO.		SHEET NO.
			SIZE A3		THIS DRAWING CONTAINS INFORMATION THAT IS PROPRIETARY TO MOLEX INCORPORATED AND SHOULD NOT BE USED WITHOUT WRITTEN PERMISSION		1 OF 1