

LOW CAPACITANCE TVS ARRAY

APPLICATIONS

- ✓ T1/E1 Line Cards
- ✓ ISDN U-Interfaces & ISDN S/T Interfaces
- ✓ xDSL Interfaces
- ✓ Ethernet - 10/100/1000 Base T
- ✓ Set-Top Box

IEC COMPATIBILITY (EN61000-4)

- ✓ 61000-4-2 (ESD): Air - 15kV, Contact - 8kV
- ✓ 61000-4-4 (EFT): 40A - 5/50ns
- ✓ 61000-4-5 (Surge): 8/20 μ s - 94A, L4(Line-Gnd), 48A, L1(Power) & 48A, L4(Line-Line)

FEATURES

- ✓ 100A (2/10 μ s) per Bellcore GR1089(Intra-Building)
- ✓ ESD Protection > 40 kilovolts
- ✓ 1800 Watts Peak Pulse Power per Line (tp = 8/20 μ s)
- ✓ Low Capacitance: 8pF Typical
- ✓ Telecom/Diode Bridge
- ✓ RoHS Compliant

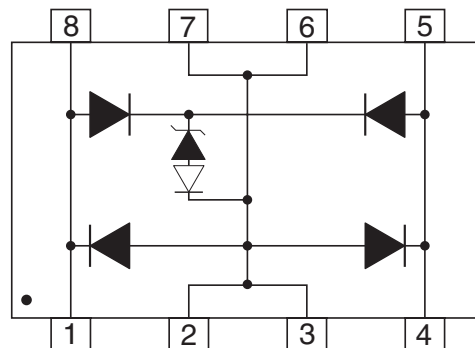
MECHANICAL CHARACTERISTICS

- ✓ Molded JEDEC SO-8
- ✓ Weight 70 milligrams (Approximate)
- ✓ Available in Lead-Free Pure-Tin Plating(Annealed)
- ✓ Solder Reflow Temperature:
Pure-Tin - Sn, 100: 260-270°C
- ✓ Consult Factory for Leaded Device Availability
- ✓ Flammability Rating UL 94V-0
- ✓ 12mm Tape and Reel Per EIA Standard 481
- ✓ Marking: Logo, Marking Code, Date Code & Pin One Defined by Dot on Top of Package



SO-8

PIN CONFIGURATION



PLC03-3.3

DEVICE CHARACTERISTICS

MAXIMUM RATINGS @ 25°C Unless Otherwise Specified

PARAMETER	SYMBOL	VALUE	UNITS
Peak Pulse Power (tp = 8/20µs) - See Figure 1	P_{PP}	1800	Watts
Operating Temperature	T_L	-55 to 150	°C
Storage Temperature	T_{STG}	-55 to 150	°C

ELECTRICAL CHARACTERISTICS PER LINE @ 25°C Unless Otherwise Specified

PART NUMBER	DEVICE MARKING CODE	RATED STAND-OFF VOLTAGE V_{WM} VOLTS	MINIMUM SNAP-BACK VOLTAGE @ 50mA $V_{(BR)}$ VOLTS	MAXIMUM CLAMPING VOLTAGE (See Notes 1-2) (See Fig. 2) 8/20µs $V_C @ I_{PP}$	MAXIMUM LEAKAGE CURRENT @ V_{WM} I_b µA	MAXIMUM CAPACITANCE (See Note 3) @0V, 1 MHz C pF	MAXIMUM CAPACITANCE (See Note 4) @0V, 1 MHz C pF
PLC03-3.3	PBC	3.0	2.8	18.0V @ 100.0A	2.0	25	12

MAXIMUM CLAMPING VOLTAGE Line-Ground 8/20µs @ $I_p = 50A$ V_C VOLTS
11

Note 1: For an 8/20µs waveform, apply positive pulse to pin 1 or 8 to pin 2 or 3(ground).

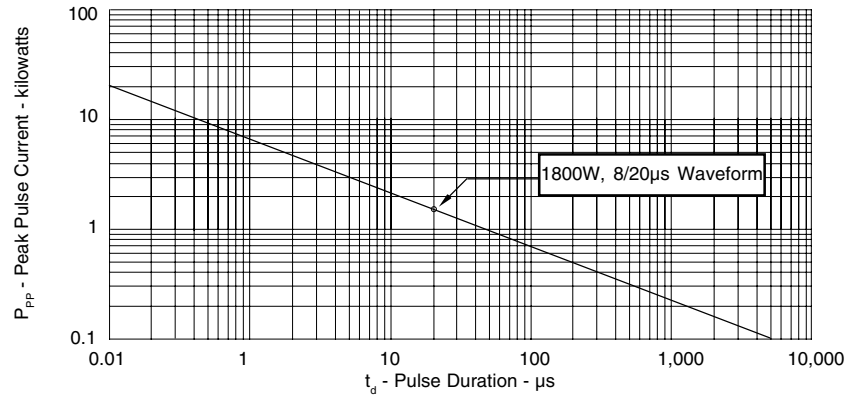
Note 2: Measured between pin 1 or 8 to pin 2 or 3.

Note 3: Measured between I/O pins and ground (pin 1 to 2).

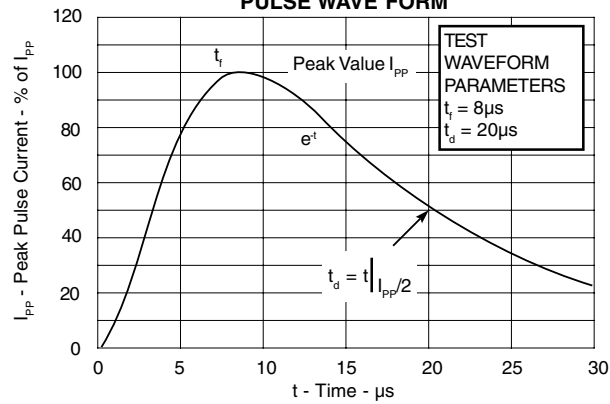
Note 4: Measured between I/O pins (pins 1 to 4).

GRAPHS

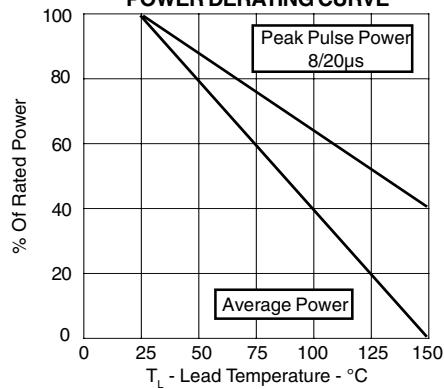
**FIGURE 1
PEAK PULSE POWER VS PULSE TIME**



**FIGURE 2
PULSE WAVE FORM**



**FIGURE 3
POWER DERATING CURVE**



PLC03-3.3

SO-8 PACKAGE OUTLINE & DIMENSIONS

PACKAGE OUTLINE

MOUNTING PAD

SO-8

PACKAGE DIMENSIONS

DIM	MILLIMETERS		INCHES	
	MIN	MAX	MIN	MAX
A	4.80	5.00	0.189	0.196
B	3.80	4.00	0.150	0.157
C	1.35	1.75	0.054	0.068
D	0.35	0.49	0.014	0.019
F	0.40	1.250	0.016	0.049
G	1.27 BSC	1.27 BSC	0.05 BSC	0.05 BSC
J	0.18	0.25	0.007	0.009
K	0.10	0.25	0.004	0.008
P	5.80	6.20	0.229	0.244
R	0.25	0.50	0.010	0.019

NOTES

- T = Seating Plane and Datum Surface.
- Dimensions "A" and "B" are Datum.
- Dimensions "A" and "B" do not include mold protrusion.
- Maximum mold protrusion is 0.015" (0.380 mm) per side.
- Dimensioning and tolerances per ANSI Y14.5M, 1982.
- Dimensions are exclusive of mold flash and metal burrs.

TAPE & REEL/BULK ORDERING NOMENCLATURE

- Surface mount product is taped and reeled in accordance with EIA-481.
- Suffix-T7 = 7 Inch Reel - 1,000 pieces per 12mm tape, i.e. PLC03-3.3-T7.
- Suffix-T13 = 13 Inch Reel - 2,500 pieces per 12mm tape, i.e., PLC03-3.3-T13.
- Suffix - LF = Lead-Free, Pure-Tin Plating, i.e., PLC03-3.3-LF-T7.
- No Suffix = Product Shipped in Tubes of 96 pcs per Tube.

Outline & Dimensions: Rev 1 - 11/01, 06009

COPYRIGHT © ProTek Devices 2007

SPECIFICATIONS: ProTek reserves the right to change the electrical and or mechanical characteristics described herein without notice (except JEDEC).

DESIGN CHANGES: ProTek reserves the right to discontinue product lines without notice, and that the final judgement concerning selection and specifications is the buyer's and that in furnishing engineering and technical assistance, ProTek assumes no responsibility with respect to the selection or specifications of such products.

ProTek Devices
 2929 South Fair Lane, Tempe, AZ 85282
 Tel: 602-431-8101 Fax: 602-431-2288
 E-Mail: sales@protekdevices.com
 Web Site: www.protekdevices.com