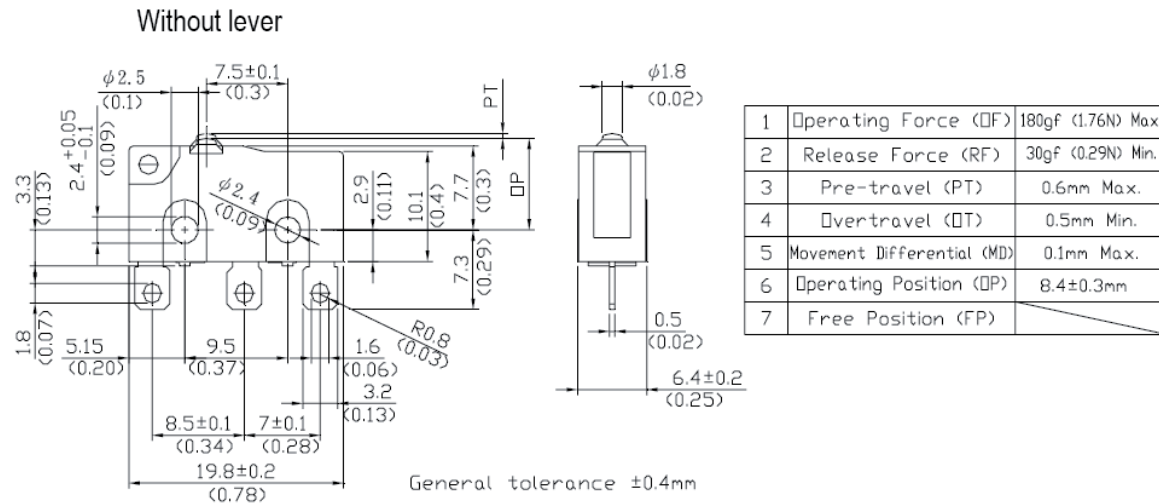


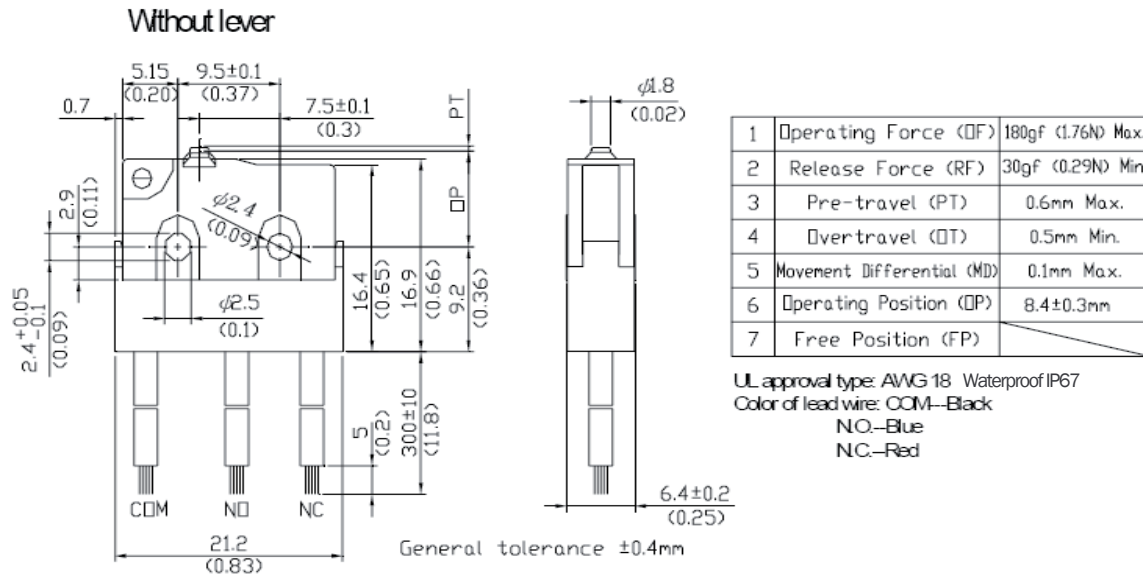
Micro Switches

Micro Switches with Waterproof Option

MP64 Series



MP64B_D1A



MP64B_7_D00N

How to order:

MP64 1 2 3 4 5 6

1 RATING CURRENT:
B 5A 125VAC/250VAC

2 TERMINAL TYPE:
1 #110 Quick Connect
2 PCB Self-Standing
3 PCB Straight
4 PCB Right Angle
5 PCB Left Angle
6 Solder Lug
7 Waterproof IP67 Lead Wire

3 TERMINAL DIMENSIONS:
A Standard (see Page 3)
B 0.6x0.5mm
(Only for terminal type 3, 4 & 5)

4 CIRCUIT:
D SPDT
O SPST, NO
C SPST, NC

5 ACTUATOR TYPE:

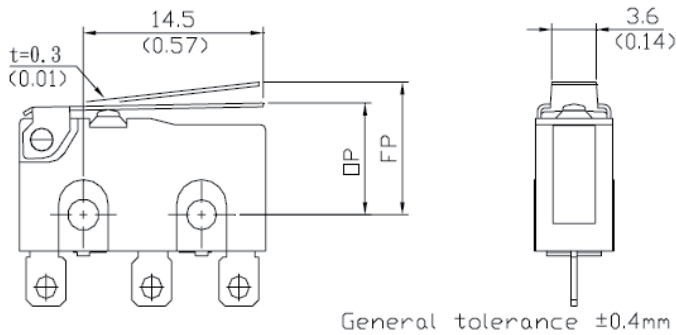
00 Without Lever
1 Straight Lever
2 Simulated Roller Lever
3 Roller Lever

6 ACTUATOR LENGTH:

N No Lever
A 14.5 mm for Straight Lever
15.8 mm for Simulated Roller Lever
14.5 mm for Roller Lever
B 16.5mm only for Straight Lever



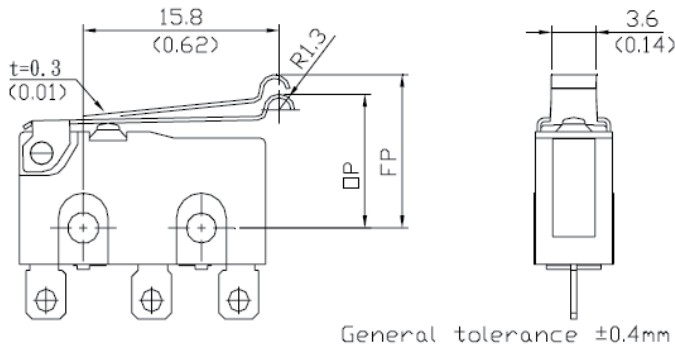
Straight lever



1	Operating Force (OF)	60gf (0.59N) Max.
2	Release Force (RF)	6gf (0.06N) Min.
3	Pre-travel (PT)	
4	Overtravel (OT)	1.0mm Min.
5	Movement Differential (MD)	0.8mm Max.
6	Operating Position (OP)	8.8 \pm 0.8mm
7	Free Position (FP)	13.6mm Max.

MP64B__D1A

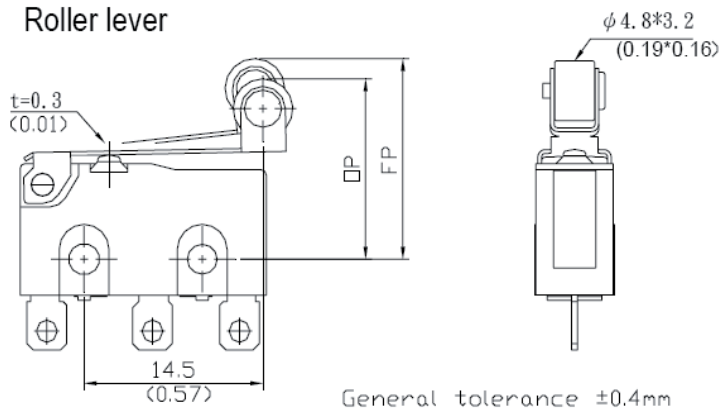
Simulated lever



1	Operating Force (OF)	60gf (0.59N) Max.
2	Release Force (RF)	6gf (0.06N) Min.
3	Pre-travel (PT)	
4	Overtravel (OT)	1.0mm Min.
5	Movement Differential (MD)	0.8mm Max.
6	Operating Position (OP)	10.7 \pm 0.8mm
7	Free Position (FP)	15.5mm Max.

MP64B__D2A

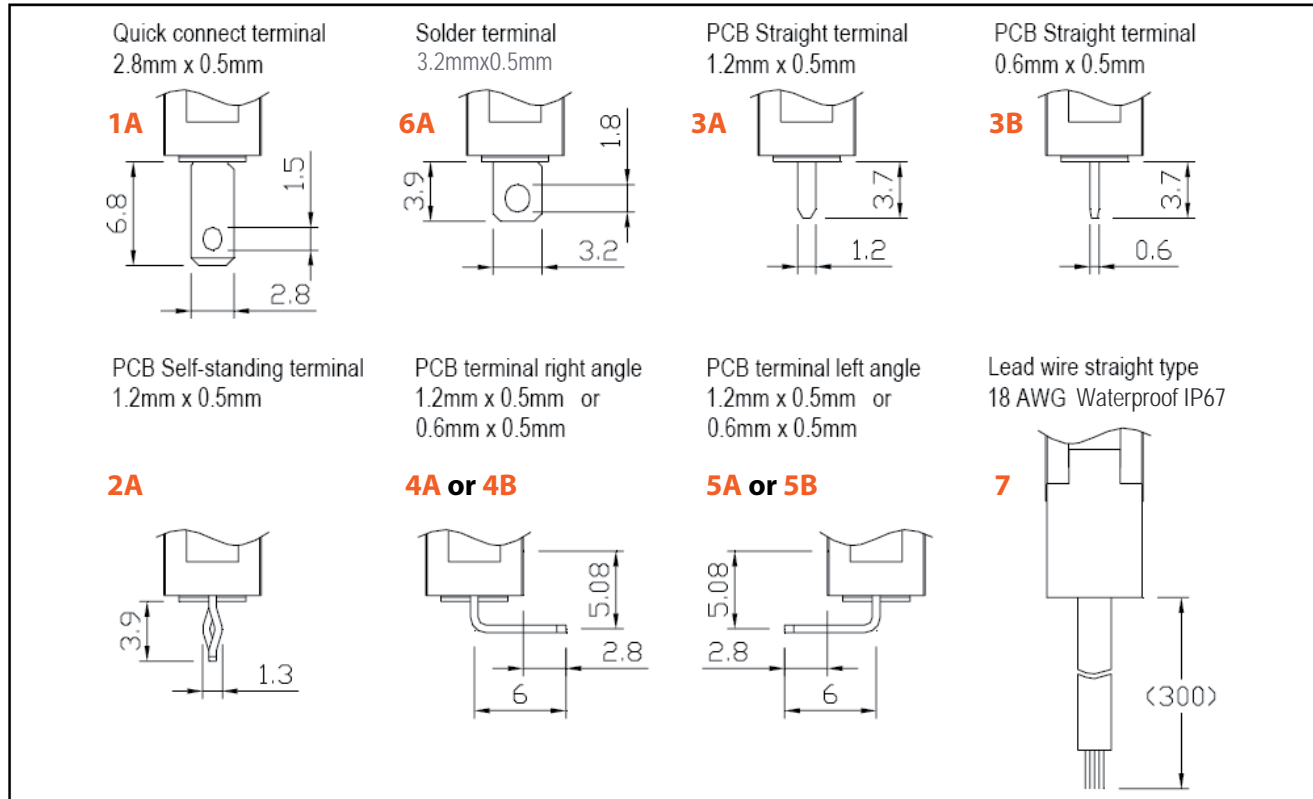
Roller lever



1	Operating Force (OF)	60gf (0.59N) Max.
2	Release Force (RF)	6gf (0.06N) Min.
3	Pre-travel (PT)	
4	Overtravel (OT)	1.0mm Min.
5	Movement Differential (MD)	0.8mm Max.
6	Operating Position (OP)	14.5 \pm 0.8mm
7	Free Position (FP)	19.3mm Max.

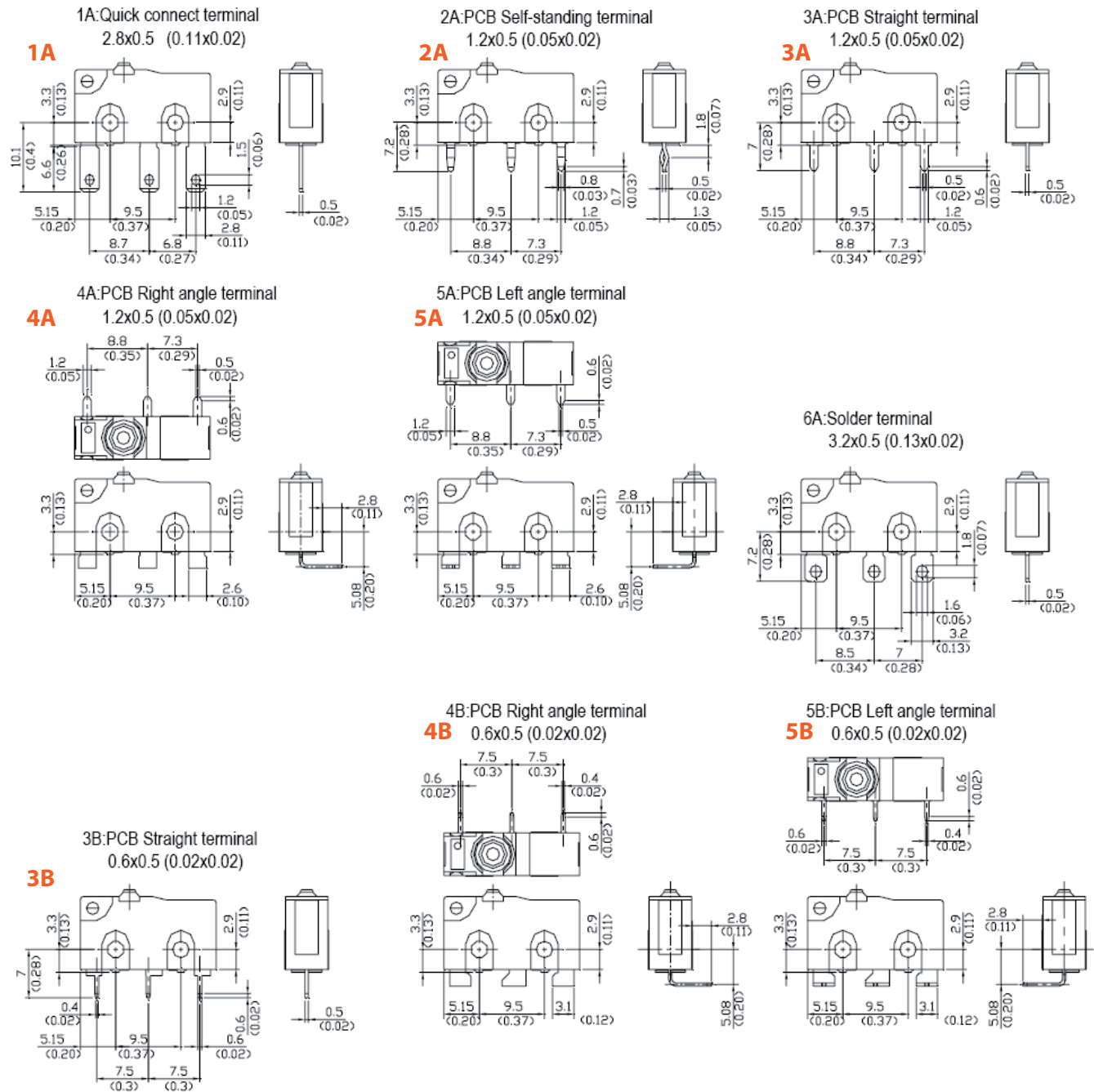
MP64B__D3A

■ TERMINAL OPTIONS UNIT:mm



Code	Terminal type	Terminal dimensions	
		Code A	Code B
1	#110 Quick connect terminal	2.8mmx0.5mm	---
2	PCB Self-standing terminal	1.2mmx0.5mm	---
3	PCB Straight terminal	1.2mmx0.5mm	0.6mmx0.5mm
4	PCB Terminal right Angle	1.2mmx0.5mm	0.6mmx0.5mm
5	PCB Terminal left Angle	1.2mmx0.5mm	0.6mmx0.5mm
6	Solder terminal	3.2mmx0.5mm	---
7	Straight lead wire with IP67 waterproof protection	18 AWG	---

■ TERMINAL TYPE UNIT:mm(inch)



Code	Actuators type	Actuators length	
		Code A	Code B
00	Without lever	---	---
1	Straight lever	14.5mm	16.5mm
2	Simulated roller lever	15.8mm	---
3	Roller lever	14.5mm	---

■ SPECIFICATIONS

● Ratings	AC 125V 5A / 250V 3A DC 30V 3A
● Circuit arrangement	Single pole Double throw (1c) Single pole single throw (1a)(1b)
● Protective construction classification of IEC	Dust protected type IP50 Immersion protected type IP67

1.ELECTRICAL PERFORMANCE

● Insulation resistance	100M Ω Min. at 500VDC
● Dielectric strength	Between non-continuous terminals: AC 1000Vrms Between each terminal and other exposed metal parts: AC 1500Vrms Between each terminal and ground: AC 1500Vrms
● Initial contact resistance	50m Ω Max.

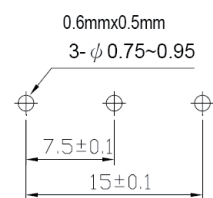
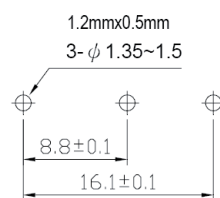
2.DURABILITY

● Mechanical Life	5,000,000 cycles Operations
● Electrical Life	100,000 cycles Operations

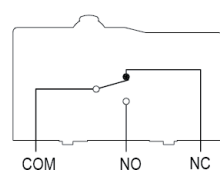
3.ENVIRONMENTAL

● Ambient Temperature	-40 $^{\circ}$ C to +85 $^{\circ}$ C (without dew condensation)
-----------------------	---

■ PC BOARD PATTERN



■ CIRCUIT DIMENSIONS



■ MOUNTING HOLE LAYOUT

